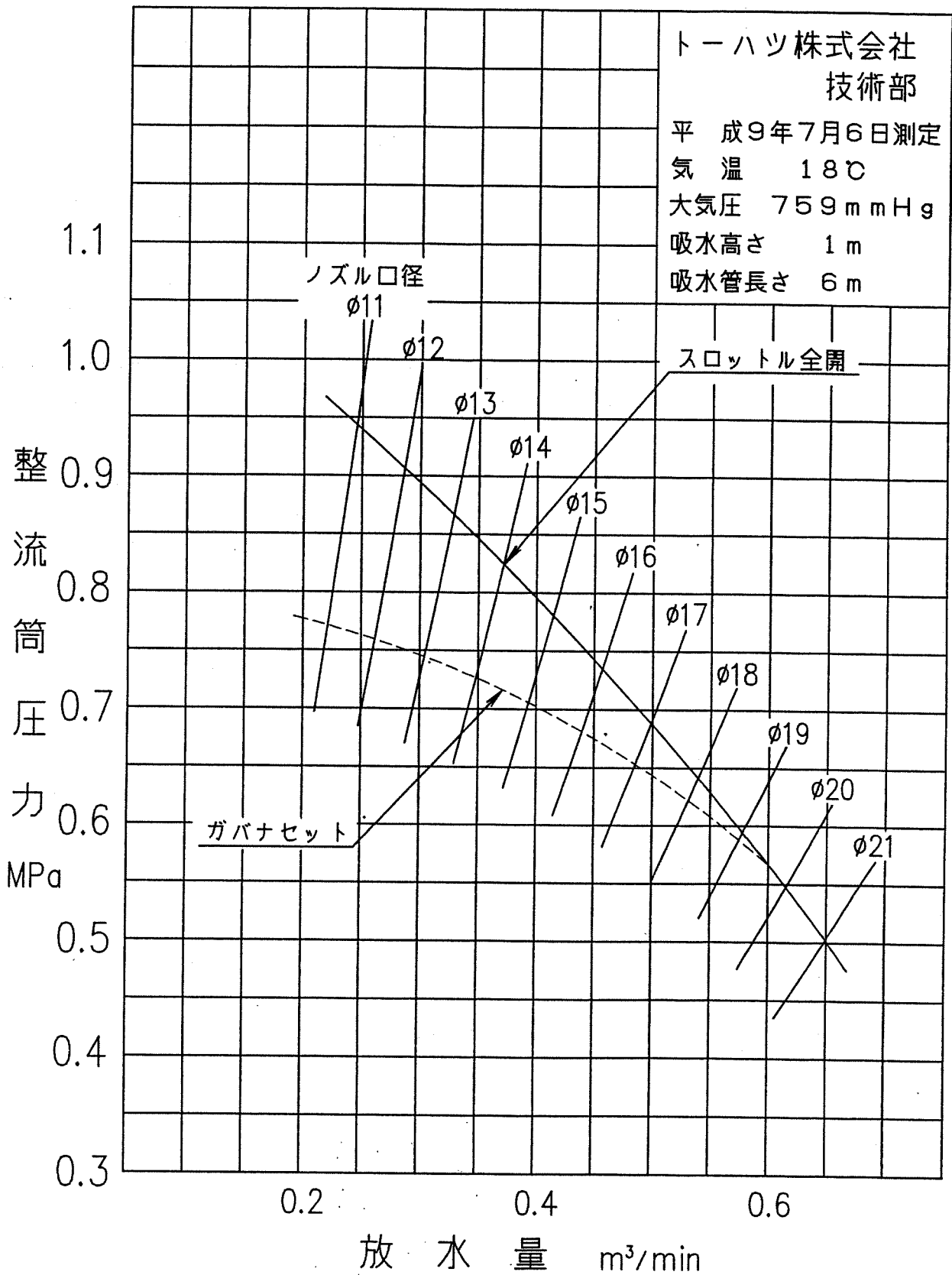


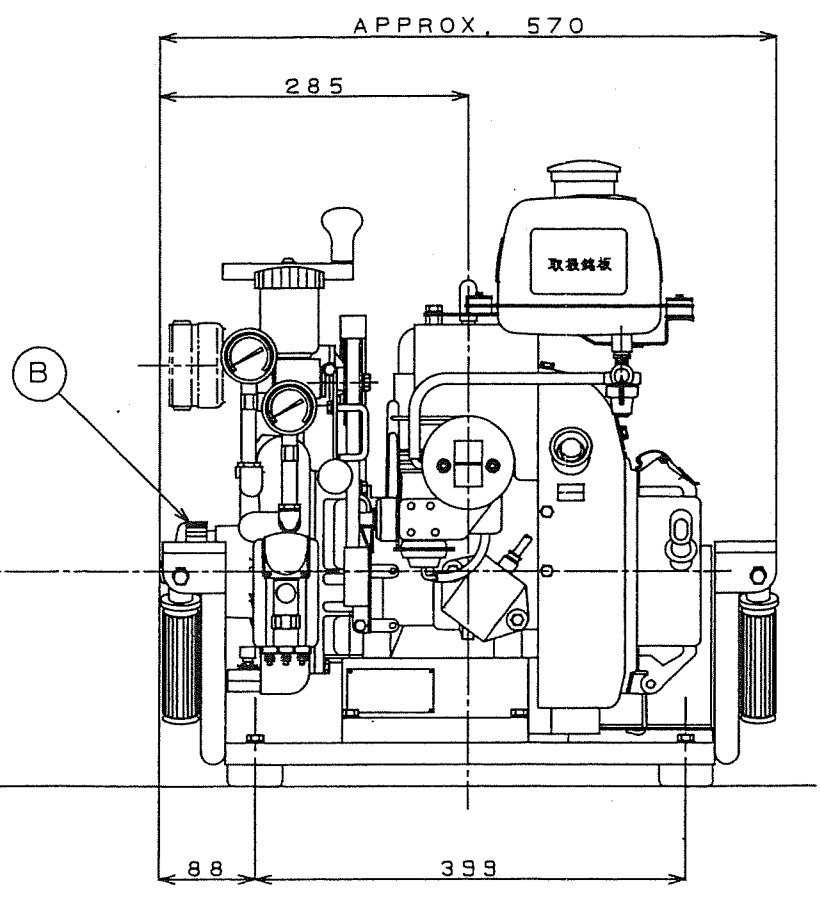
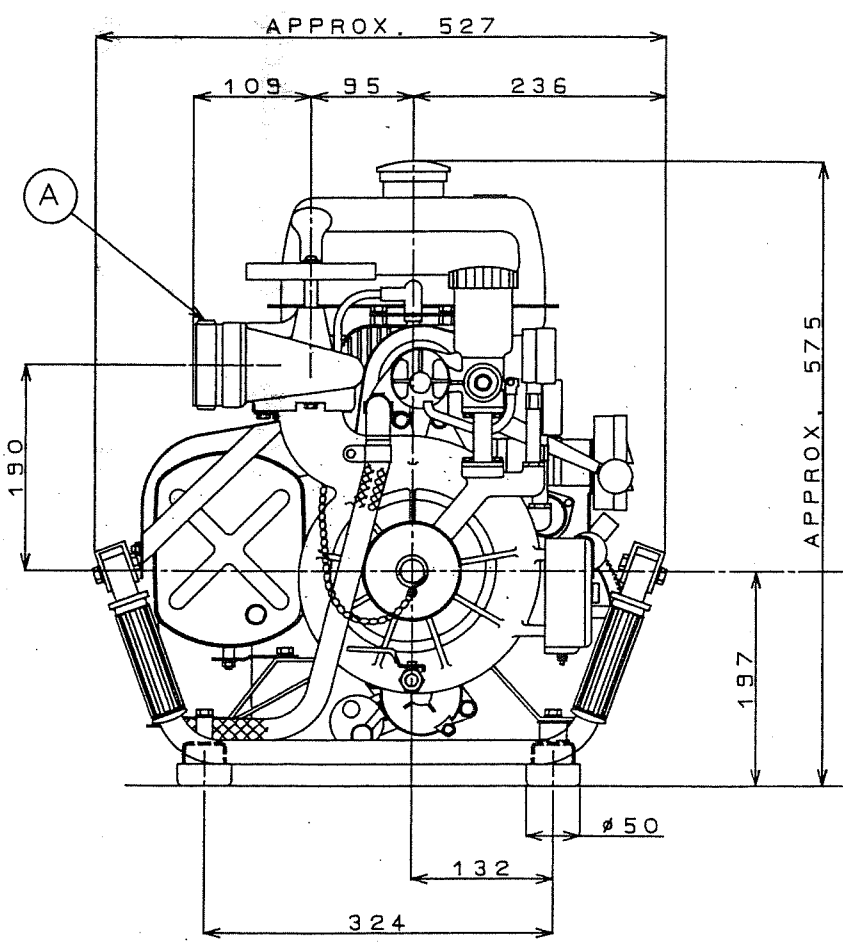
V20C

V20CS ポンプ性能曲線



GENERAL TOLERANCE FOR MACHINING	RANGE	0.5 TO 6	OVER 6 TO 30	OVER 30 TO 120	OVER 120 TO 315	OVER 315 TO 1000
	TOLERANCE	± 0.1	± 0.2	± 0.3	± 0.5	± 0.8

GENERAL TOLERANCE SHALL CONFORM TO TS-402C



A	Thread of Discharge Port	JISB-9912 Dimension of Screwed Type Coupling for Fire Hose 2 1/2" (Ø82.5, 5 threads Per In Angle of threads 55°)
	吐出側ネジ	WØ82.5-8:45 JISB-9912 消防ネジ結合金具 呼び 65 山5/吋ネジ山角度 55°
B	Thread of Suction Port	JISB-9912 Dimension of Screwed Type Coupling for Fire Hose 2 1/2" (Ø82.5, 5 threads Per In Angle of threads 55°)
	吸水側ネジ	WØ82.5-8:45 JISB-9912 消防ネジ結合金具 呼び 65 山5/吋ネジ山角度 55°

APPROVED BY	DESIGNER	WEIGHT(KG)	V20CS	MODEL	QTY.
CHECKED BY	DRAWN BY	(RAW MATERIAL)	MATERIAL		
DATE M D Y		JUL. 12. '95			
SCALE	PART NAME				
1/5	Outline Drawing アウトラインドローイング				
NO.		DATE		REVISION RECORD	
BY		CHK.		3RD ANGLE P.	
PART NO.		1C4-80023-000			

TOHATSU