

OWNER'S MANUAL

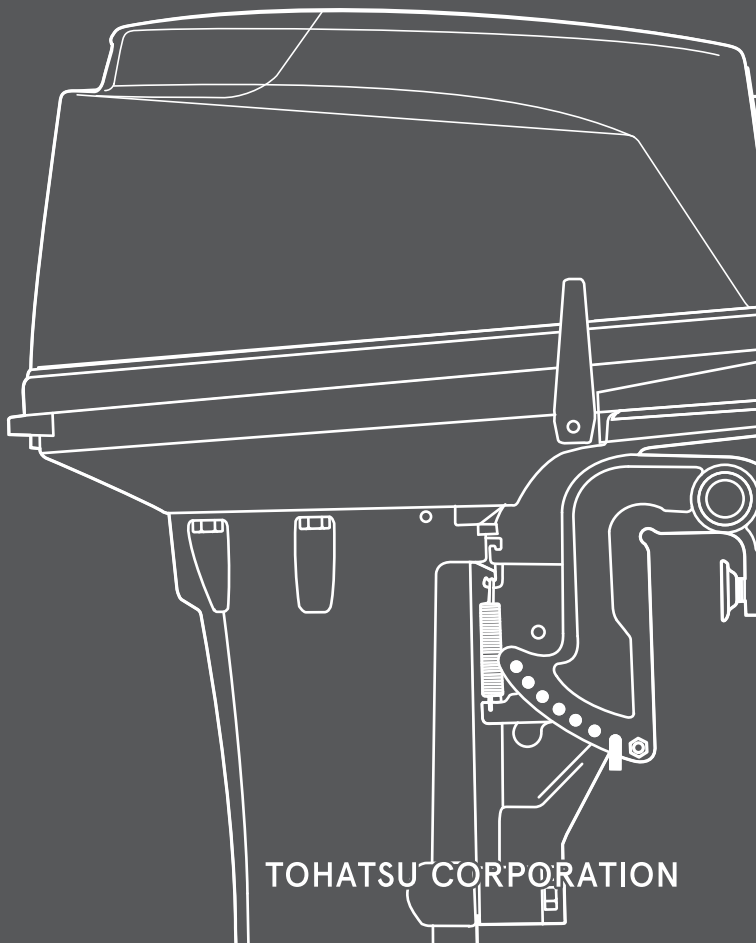


Original instructions

EN

M 25H
M 30H


OB No.003-11055-GBC1



BACKS
YOU
UP™

TOHATSU CORPORATION

ENOM00001-0

 **READ THIS MANUAL BEFORE USING THE OUTBOARD MOTOR. FAILURE TO FOLLOW THE INSTRUCTIONS AND SAFETY PRECAUTIONS IN THIS MANUAL CAN RESULT IN SERIOUS INJURY OR DEATH. KEEP THIS MANUAL IN A SAFE LOCATION FOR FUTURE REFERENCE.**

Copyright © 2023 Tohatsu Corporation. All rights reserved. No part of this manual may be reproduced or transmitted in any form or by any means without the express written permission of Tohatsu Corporation.

YOUR TOHATSU OUTBOARD MOTOR

ENOM00006-2

To You, Our Customer

Congratulations on your purchase of the TOHATSU outboard motor. You are now the proud owner of an excellent outboard motor that will serve you for many years to come. This owner's manual contains important safety, operational and maintenance information. The efficiency and longevity of your outboard motor will depend heavily on your operating methods and periodic maintenance. Failure to operate and maintain your outboard motor according to the instruction in this owner's manual may void the limited warranty, as well as reduce the efficiency and reliability of the outboard motor.

Any person operating TOHATSU outboard motor must carefully read and fully understand the entire contents of this manual prior to operation. For safety, follow all safety warnings contained within the owner's manual and the labels applied to your outboard motor. You should keep this owner's manual where accessible while operating your outboard motor. If the outboard motor is resold, make sure the manual is passed on to the next owner. In case you encounter any problems, please contact an authorized TOHATSU service shop or dealer for assistance.

Tohatsu Corporation reserves the right to change, modify, add, or remove a part or whole of the owner's manual without prior notice and incurring any obligations.

We are excited to take a part in your boating adventures and wish for your great and safe boating experience.

TOHATSU CORPORATION

ENOM00003-1

PRE-DELIVERY INSPECTION

Make sure Pre-delivery inspection has been properly done by authorized TOHATSU dealer before operating your outboard motor.

ENOM00113-1

DECLARATION OF CONFORMITY (DoC)

This product conforms to certain portion of the European Parliament directive and UK Regulations. DoC contains the following information;

- Name and Address of the manufacturer, EU - notified body, EU - authorized representative, and UK - approved body.
- Applied community directives and regulations
- Reference standard
- Description of the product. (model name and serial number)
- Signature of the responsible person (name / title / date and place of issue).

ENON00937-0

Note

For CE marked model

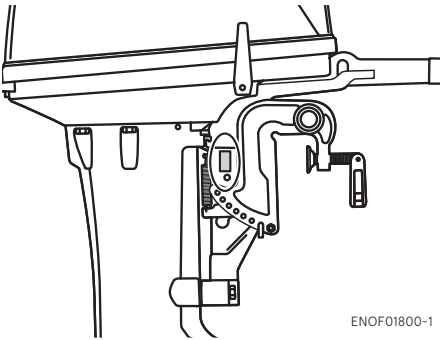
The Outboard engine is intended to install on non-recreational craft within the European Union because it has not been confirmed compliance with requirement of Directive 2013/53/EU.

ENOM00005-1

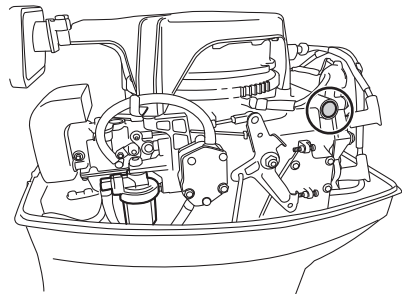
Serial Number

Your outboard motor has a unique serial number. The serial number is identification of outboard motor and is located on the outboard motor as shown in the figures below. The serial number is required for warranty registration, filing a warranty claim as well as making technical inquiries and may be required for other occasions. Therefore, please write down the serial number and date of purchase in the space below.

Serial Number:



ENOF01800-1



ENOF01801-1

Serial Number:

Date of purchase:

ENOM00007-0

NOTICE: DANGER/WARNING/CAUTION/Note

Before installing, operating or otherwise handling your outboard motor, be sure to thoroughly read and understand this Owner's Manual and carefully follow all of the instructions. Of particular importance is information preceded by the words "DANGER," "WARNING," "CAUTION," and "Note." Always pay special attention to such information to ensure safe operation of the outboard motor at all times.

ENOW00001-0

 **DANGER**

Failure to observe will result in severe personal injury or death, and possibly property damage.

ENOW00002-0

 **WARNING**

Failure to observe could result in severe personal injury or death, or property damage.

ENOW00003-0

 **CAUTION**

Failure to observe could result in personal injury or property damage.

ENON00001-0

Note

This instruction provides special information to facilitate the use or maintenance of the outboard motor or to clarify important points.

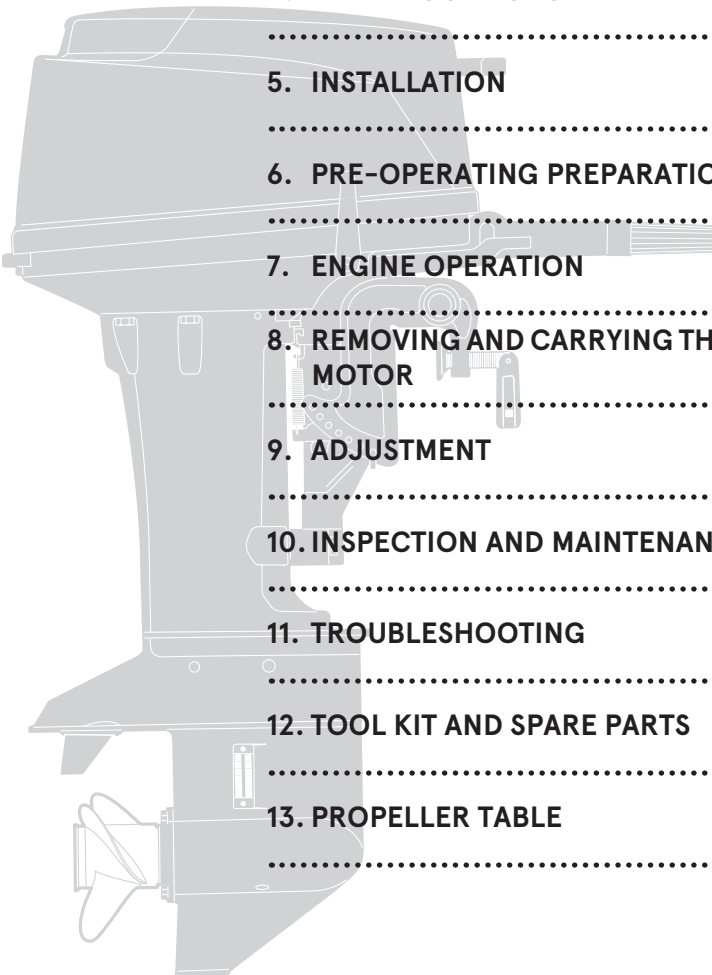
CONTENTS

1. GENERAL SAFETY INFORMATION	10
2. SPECIFICATIONS	12
3. PARTS NAME	14
4. LABEL LOCATIONS	19
5. INSTALLATION	22
1. Mounting the outboard motor on boat	22
2. Battery installation	24
6. PRE-OPERATING PREPARATIONS	26
1. Fuel handling	26
2. Fuel filling	27
3. Engine oil recommendation	28
4. Break-In	30
7. ENGINE OPERATION	31
Before starting	31
1. Fuel feeding	31
2. Starting the engine	32
3. Warming up the engine	37
4. Forward, reverse, and acceleration	38
5. Stopping the engine	40
6. Steering	42
7. Trim angle	43
8. Tilt up and down	44
9. Shallow water operation	46
8. REMOVING AND CARRYING THE OUTBOARD MOTOR	47
1. Removing the outboard motor	47
2. Carrying the outboard motor	47
3. Trailering	48
9. ADJUSTMENT	50
1. Steering friction	50
2. Throttle grip friction	50
3. Trim tab adjustment	51
10. INSPECTION AND MAINTENANCE	52
1. Daily Inspection	53
2. Periodic Inspection	57
3. Off-season storage	66
4. Pre-season check	68
5. Submerged outboard motor	69
6. Cold weather precautions	69
7. Striking underwater object	69
8. Operation with multiple outboard motors	69

11. TROUBLESHOOTING	70
12. TOOL KIT AND SPARE PARTS	72
13. PROPELLER TABLE	73

INDEX

1. GENERAL SAFETY INFORMATION	1
.....	
2. SPECIFICATIONS	2
.....	
3. PARTS NAME	3
.....	
4. LABEL LOCATIONS	4
.....	
5. INSTALLATION	5
.....	
6. PRE-OPERATING PREPARATIONS	6
.....	
7. ENGINE OPERATION	7
.....	
8. REMOVING AND CARRYING THE OUTBOARD MOTOR	8
.....	
9. ADJUSTMENT	9
.....	
10. INSPECTION AND MAINTENANCE	10
.....	
11. TROUBLESHOOTING	11
.....	
12. TOOL KIT AND SPARE PARTS	12
.....	
13. PROPELLER TABLE	13
.....	



GENERAL SAFETY INFORMATION

1

ENOM00009-1

SAFE OPERATION OF BOAT

As the operator/driver of a boat, you are responsible for the safety of those aboard and those in other boats around yours, and for following local boating regulations. You should be thoroughly knowledgeable on how to correctly operate the boat, outboard motor, and accessories. To learn about the correct operation and maintenance of the outboard motor, please read through this manual carefully.

It is very difficult for a person in the water to take evasive action should he or she see a power boat heading in his/her direction, even at a slow speed.

Therefore, when your boat is in the immediate vicinity of people in the water, the outboard motor must be shifted to neutral and shut off.

ENOW00005-0

WARNING

SERIOUS INJURY IS LIKELY IF A PERSON IN THE WATER MAKES CONTACT WITH A MOVING BOAT, GEAR HOUSING, PROPELLER, OR ANY SOLID DEVICE RIGIDLY ATTACHED TO A BOAT OR GEAR HOUSING.

ENOM00247-1

STOP SWITCH LANYARD

The engine can be stopped by pulling out the stop switch lock from the stop switch. The stop switch lanyard is the coiled red cord with the stop switch lock on one end and a metal clip on the other end. With attaching the stop switch lanyard to the operator's body part or operator's personal flotation device (PFD), the engine will stop when the stop switch lanyard is being stretched and pulled out the lock from the switch if the operator accidentally falls overboard or leaves from operator's position. This function may prevent losing control of the boat and minimize or prevent risk of collision with other boats, people and other objects. It is operator's responsibility to use the stop switch lanyard.

ENOW00004-1

WARNING

Accidental activation of the Stop Switch (such as the tether being pulled out in heavy seas) could cause passengers to lose their balance and even fall overboard, or it could result in loss of power in heavy seas, strong currents, or high winds. Loss of control while mooring is another potential hazard.

To minimize accidental activation of the Stop Switch, the 500 mm (20 inch.) stop switch lanyard is coiled and can be extended to a full 1300 mm (51 inch.).

ENOM00800-A

PERSONAL FLOTATION DEVICE

As the operator/driver and passenger of a boat, you are responsible to wear a PFD (Personal Flotation Device) while on the boat.

ENOM00010-1

SERVICING, REPLACEMENT PARTS & LUBRICANTS

We recommend that only an authorized service shop perform service or maintenance on your outboard motor. Be sure to use genuine parts, genuine lubricants, or recommended lubricants. Be aware that the installation and use of parts not approved by Tohatsu Corporation will void warranty and may lead to unsafe operating conditions.

ENOM00011-1

MAINTENANCE

As the owner of the outboard motor, you should be acquainted with correct maintenance procedures following by maintenance section of this manual (See page 52). It is the operator's responsibility to perform all safety inspections, proper lubrication and to follow all maintenance instructions for safe operation. You should take the engine to an authorized dealer or service shop for periodic inspection at the prescribed intervals. Correct periodic maintenance and proper care of outboard motor will reduce the chance of problems, limit overall operating expenses and contribute to longevity of your outboard motor.

Carbon Monoxide Poisoning Hazard

Exhaust gas contains carbon monoxide, a colorless and odorless gas which can be fatal if inhaled for any length of time.

Never start or operate the engine indoors or in any space which is not well ventilated.

Gasoline

Gasoline and its vapors are very flammable and can be explosive. Use extreme care when handling gasoline. You should be thoroughly knowledgeable on how to correctly handle gasoline by reading this manual.

SPECIFICATIONS

ENOM00810-B

MODEL FEATURE

2

Model		M25H		M30H		
Type		MF	EP	MF	EF	EP
Transom heights	S	•	•	•	•	•
	L	•	•	•	•	•
Tiller Handle		•		•	•	
Remote Control			•			•
Manual tilt		•	•	•	•	•

ENOM00811-C

MODEL NAME EXAMPLE

M30HMFL

M	30	H	M	F	L
Model description	Horse power	Product generation	Starter system	Steering system	Shaft length
M (X)=Two stroke	-	A and up	E= Electrical start M= Manual start	P=Remote control F=Tiller handle	S= Short 15 in L= Long 20 in UL= Ultra long 25 in

ENOM01200-0

25/30H MF, EF, EP

2

Item	Model	M25/30H		
		MF	ME	EP
Overall Length	mm (in)	884 (34.8)		600 (23.6)
Overall Width	mm (in)	430 (16.9)		373 (14.7)
Overall Height	S mm (in)	1124 (44.3)		
	L mm (in)	1251 (49.3)		
	UL mm (in)	1378 (54.3)		
Transom Height	S mm (in)	435 (17.1)		
	L mm (in)	562 (22.1)		
	UL mm (in)	689 (27.1)		
Weight*1	S kg (lb)	51 (112)	55 (121)	54 (119)
	L kg (lb)	51.5 (116)	56.5 (125)	55.5 (122)
	UL kg (lb)	54 (119)	—	—
Engine Type		2 stroke		
Number of Cylinder		2		
Piston Displacement	cm ³ (cu.in.)	429 (26.16)		
Bore x Stroke	mm (in)	68 x 59 (2.68 x 2.32)		
Max. Output	kW (PS)	18.4 (25) 22.1 (30)		
Max. Operating Range	min ⁻¹ (rpm)	M25H : 5000 - 6000, M30H : 5150 - 5850		
Idle Speed in Forward Gear	min ⁻¹ (rpm)	800		
Idle Speed in Neutral Gear	min ⁻¹ (rpm)	950		
Exhaust System		Through-hub exhaust		
Lubrication System		Gasoline oil mixed type		
Cooling System		Water cooling (with thermostat)		
Starting System		Manual starter	Electric starter motor *2	
Ignition System		Flywheel Magneto CD Ignition		
Alternator		—	12V-6.7A	
Steering Angle	Degree	80		
Trim Angle*3	Degree	-9.5 - 15.5		
Trim Position		6		
Tilt Up Angle*3	Degree	58		
Gear Shift		Dog clutch (F-N-R)		
Gear Reduction Ratio		1.92 (23:12)		
Operator Sound Pressure (ICOMIA 39/94 Rev.1) dB (A)		88.6		
Hand Vibration Level (ICOMIA 38/94 Rev.1) m/s ²		3.2		—

Remark: Specifications subject to change without notice.

*1 With propeller.

*2 With manual starter.

*3 Transom angle is at -12°

Tohatsu outboard is power rated in accordance with ISO8665 (propeller shaft output).

Service data

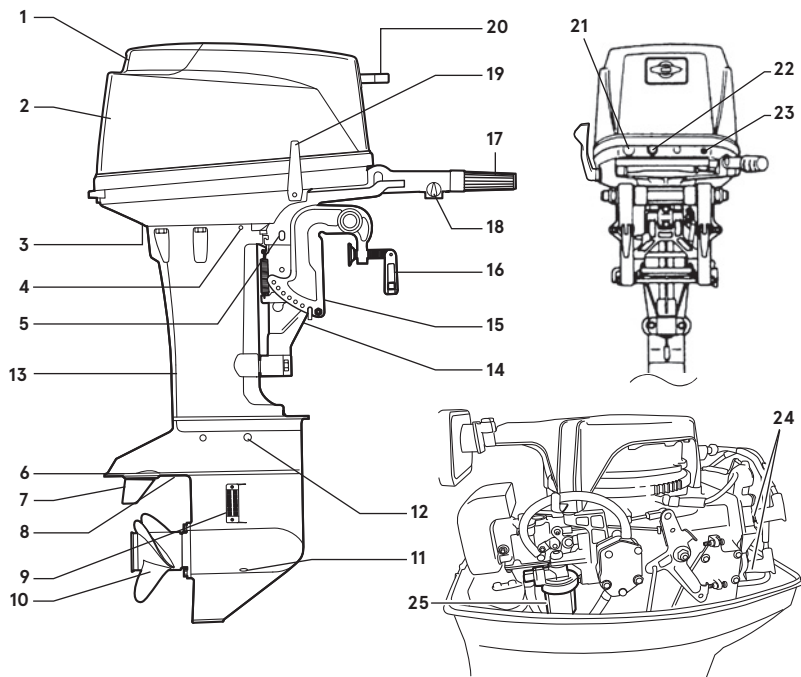
Item	Model	M25/30H		
		MF	EF	EP
Fuel		Unleaded Regular Gasoline : R+M/2: 87 or higher RON: 91 or higher		
Fuel Tank Capacity	L (US gal)	25 (6.6) Separate		
Engine Oil	Grade	Genuine two stroke engine oil or NMMA certified TC-W3 outboard oil		
Engine Oil Mixing Ratio		Unleaded Gasoline 50 : Genuine 2-stroke Engine Oil 1		
Gear Oil	Grade	API:GL-5, SAE:80-90		
	mL (US/Imp.oz)	360 (12.2/12.7)		
Battery (minimum requirements)		-	64Ah/5HR, 70Ah/20HR, 512CCA	
Spark Plug		NGK B7HS-10 or BR7HS-10		
Spark Plug Gap	mm (in)	0.9-1.0 (0.035-0.039)		

Tightening torque

Gear Oil Plug	4N · m (3 ft · lb, 0.4 kgf · m)
Propeller Nut	25N · m (18 ft · lb, 2.5 kgf · m)
Spark Plug	27N · m (20 ft · lb, 2.7 kgf · m)

PARTS NAME

ENOM00820-0

MF


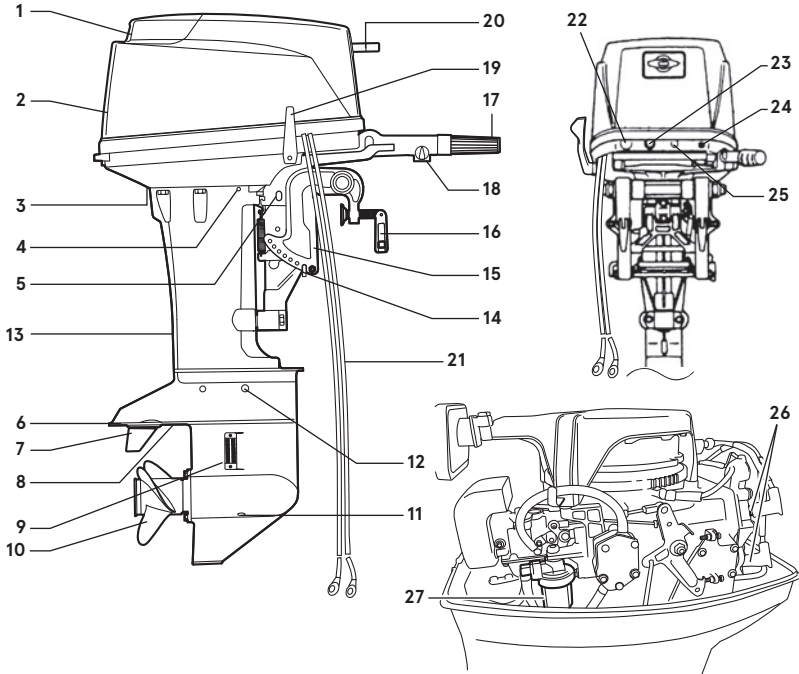
ENOF01802-0

- | | | |
|----------------------------|----------------------------|----------------|
| 1 Tilt Handle | 13 Drive Shaft Housing | 25 Fuel Filter |
| 2 Top Cowl | 14 Thrust Rod | |
| 3 Cooling Water Check Port | 15 Clamp Bracket | |
| 4 Water Plug | 16 Clamp Screw | |
| 5 Reverse Lock Lever | 17 Throttle Grip | |
| 6 Anti-Ventilation Plate | 18 Throttle Friction Screw | |
| 7 Trim Tab | 19 Shift Lever | |
| 8 Sub-Water Inlet | 20 Starter Handle | |
| 9 Water Inlet | 21 Stop Switch | |
| 10 Propeller | 22 Choke Knob | |
| 11 Oil Plug (Lower) | 23 Fuel Connector | |
| 12 Oil Plug (Upper) | 24 Spark Plug | |

ENOM01102-0

EF

3

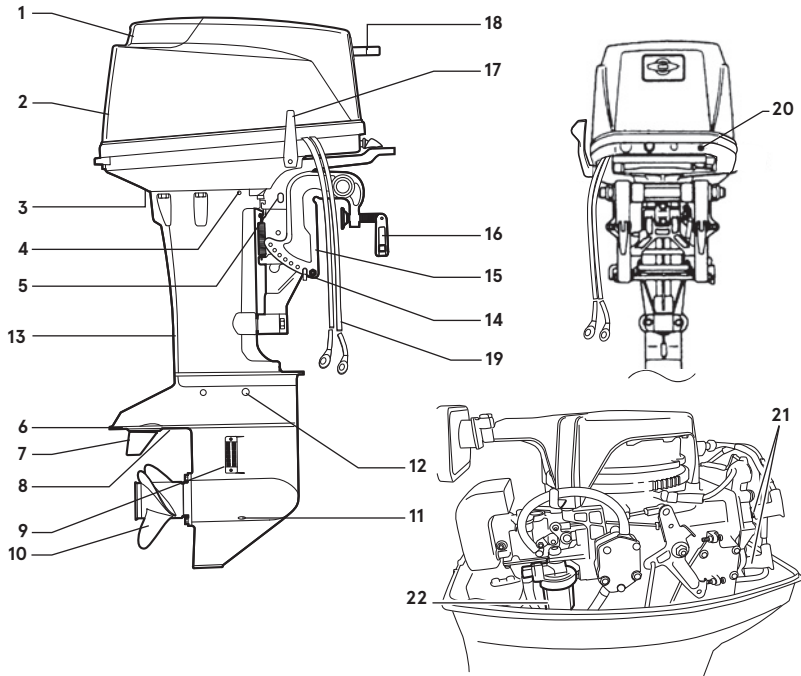


ENOF01802-A

- | | | |
|----------------------------|----------------------------|-------------------|
| 1 Tilt Handle | 13 Drive Shaft Housing | 25 Starter Switch |
| 2 Top Cowl | 14 Thrust Rod | 26 Spark Plug |
| 3 Cooling Water Check Port | 15 Clamp Bracket | 27 Fuel Filter |
| 4 Water Plug | 16 Clamp Screw | |
| 5 Reverse Lock Lever | 17 Throttle Grip | |
| 6 Anti-Ventilation Plate | 18 Throttle Friction Screw | |
| 7 Trim Tab | 19 Shift Lever | |
| 8 Sub-Water Inlet | 20 Starter Handle | |
| 9 Water Inlet | 21 Battery Cable | |
| 10 Propeller | 22 Stop Switch | |
| 11 Oil Plug (Lower) | 23 Choke Knob | |
| 12 Oil Plug (Upper) | 24 Fuel Connector | |

ENOM01103-0

EP



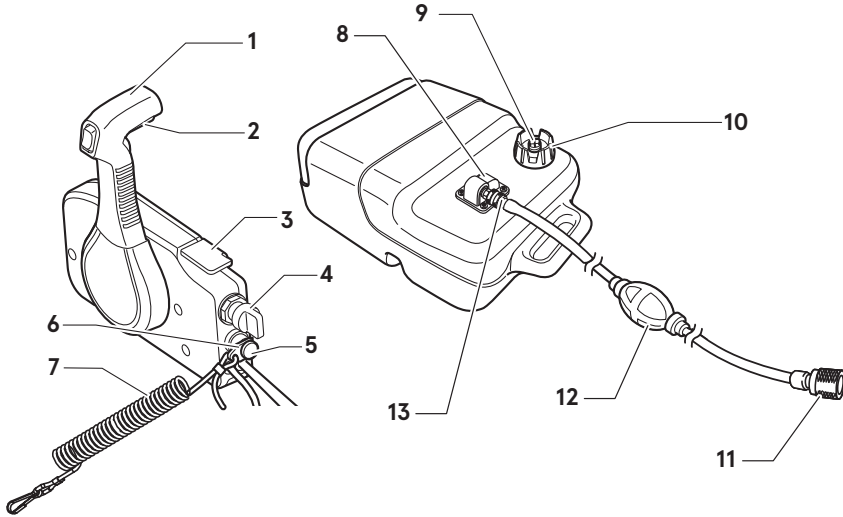
- | | |
|----------------------------|------------------------|
| 1 Tilt Handle | 13 Drive Shaft Housing |
| 2 Top Cowl | 14 Thrust Rod |
| 3 Cooling Water Check Port | 15 Clamp Bracket |
| 4 Water Plug | 16 Clamp Screw |
| 5 Reverse Lock Lever | 17 Shift Lever |
| 6 Anti-Ventilation Plate | 18 Starter Handle |
| 7 Trim Tab | 19 Battery Cable |
| 8 Sub-Water Inlet | 20 Fuel Connector |
| 9 Water Inlet | 21 Spark Plug |
| 10 Propeller | 22 Fuel Filter |
| 11 Oil Plug (Lower) | |
| 12 Oil Plug (Upper) | |

ENOF01802-B

ENOM00822-0

Remote control box & Fuel tank

3



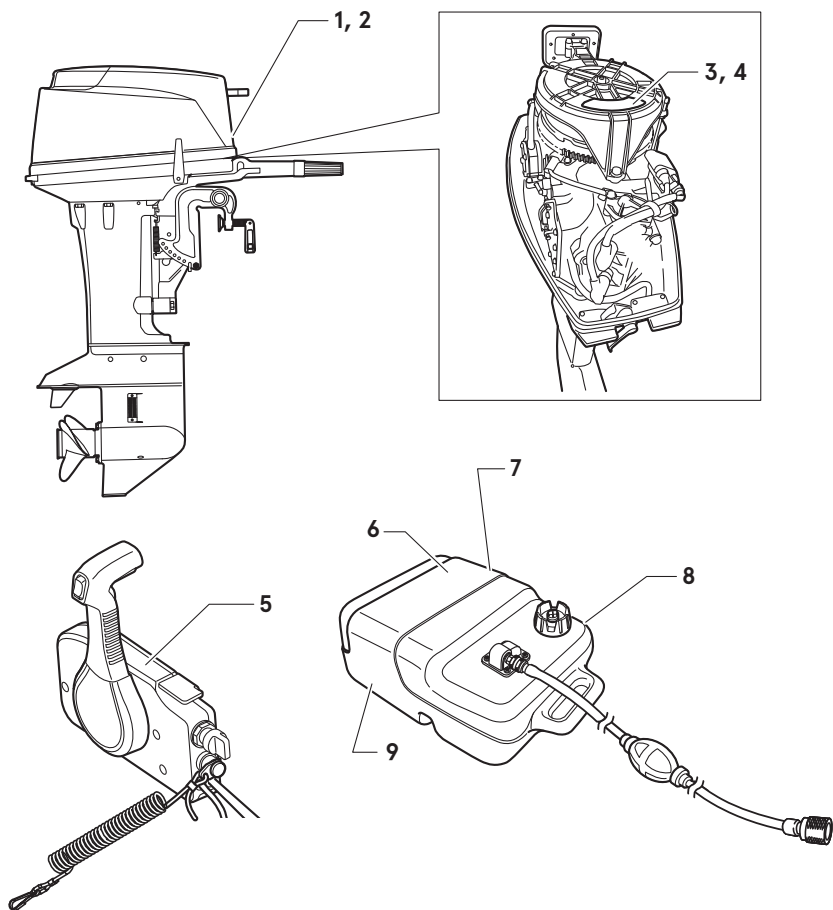
ENOF00127-F2A

- 1 Control Lever
- 2 Neutral lock arm
- 3 Free throttle lever
- 4 Main switch
- 5 Stop switch
- 6 Stop switch lock
- 7 Stop switch lanyard
- 8 Fuel gauge
- 9 Air vent screw
- 10 Fuel tank cap
- 11 Fuel connector (Engine side)
- 12 Primer bulb
- 13 Fuel connector (Fuel tank side)

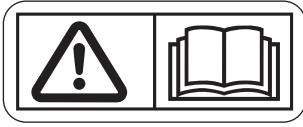
LABEL LOCATIONS

ENOM00019-A

Warning label locations



1, 3. Read owner's manual.



3FOX72185-0

2. Engine stop switch (See page 33).



ENOF00131-B

4. HOT SURFACE

Can cause burns.

Do not touch when operating or immediately after the engine has stopped.

ELECTRICAL SHOCK HAZARD

High voltage can cause severe electrical shock.

Do not touch electrical components such as ignition coil or spark plug cord when starting or while the engine is in operation.

HAZARD CAUSED BY ROTATING PARTS
Rotating parts can cause severe injury.

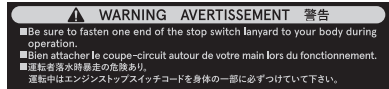
Keep hands, feet, hair, and clothing away from all rotating parts to prevent injury.



314X72185-0

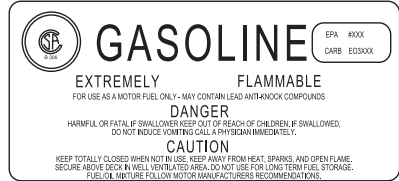
For RC model

5. Be sure to fasten one end of the stop switch lanyard to your body during operation.



ENOF00008-1

6. Warning regarding gasoline.



ENOF00005-E

7. Warning regarding gasoline (See page 26).



ENOF00005-L

8. Warning regarding gasoline (See page 26).



ENOF00005-M

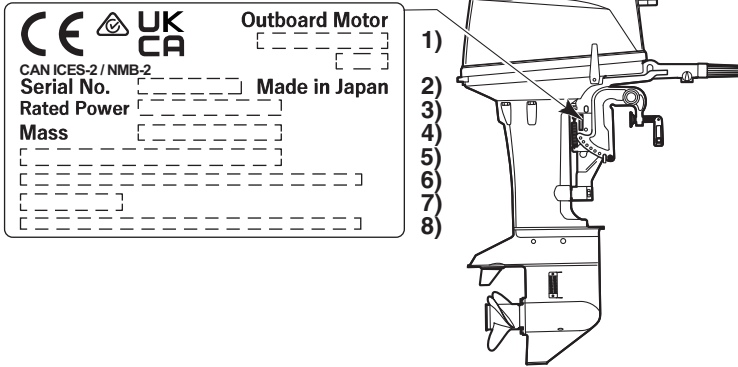
9. Warning regarding gasoline (See page 26).



ENOF00005-F

ENOM01001-0

Serial number label locations



4

ENOF01804-3

- 1. Model code (Model name)
- 2. Serial No.
- 3. Rated power
- 4. Dry mass weight
- 5. Manufacturer name
- 6. Manufacturer address
- 7. Authorised representative
- 8. Authorised representative address

Description of serial number year code
 Last two digits of alphabet represent production year as below.

Year Code	BC	BD	BE	BF	BG
Year of manufacture	2023	2024	2025	2026	2027

ENON00937-0

Note

For CE marked model

The Outboard engine is intended to install on non-recreational craft within the European Union because it has not been confirmed compliance with requirement of Directive 2013/53/EU.

INSTALLATION

ENOM00024-B

1. Mounting the outboard motor on boat

ENOW00006-1

WARNING

Most boats are rated and certified for their maximum allowable horsepower, as shown on the boat's certification plate. Do not equip your boat with an outboard motor that exceeds this limit. If in doubt, contact your dealer.

Do not operate the outboard motor until it has been securely mounted on the boat in accordance with the instructions below.

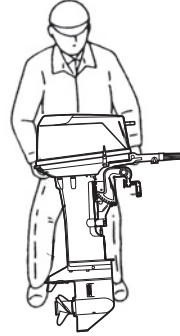
5

ENOW00009-2B

WARNING

- Mounting the outboard motor without following this manual can lead to unsafe conditions such as poor maneuverability, lack of control or fire.
- Loose clamp screws and/or mounting hardware can lead to the release or displacement of the outboard motor, possibly resulting in loss of control and/or serious personal injury. Check the fasteners for tightness before operating your outboard.
- Be sure to use outboard mounting hardware that meet in terms of size, material, quality and strength.

Keep the outboard motor in a vertical position when mounting.



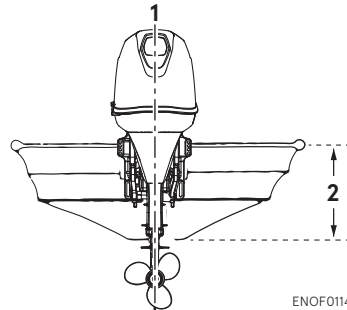
ENOF01825-0

ENOM00025-C

Position ... Above keel line

■ Single-engine Installation

Place the outboard motor in the center of the boat's transom.



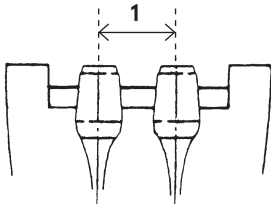
ENOF01141-0

1. Center of boat
2. Boat transom

ENOM01201-0

■ **Twin-engine Installation**

When installing two outboard engines, be sure to keep an interval of approximately 580 mm (22.8 in) between the two.



ENOF01823-0

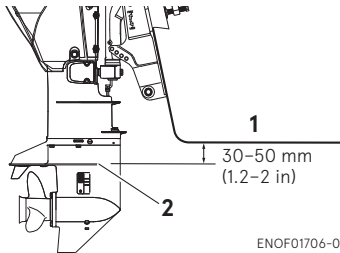
1. Approx 580 mm (22.8 in)

ENOM00026-0

Transom matching

Be sure that the anti ventilation plate of the outboard motor is 30–50 mm (1.2–2 in) below the bottom of hull.

If the above condition cannot be met due to the shape of the bottom of your boat, please consult your authorized dealer.



ENOF01706-0

1. Bottom of hull
2. Anti ventilation plate

ENOW00007-1

⚠ CAUTION

- **Before running test, check the boat with maximum loading capacity. Overloading or incorrect weight distribution of the**

weight may result in boat to lose control, even swamping or capsizing. Make sure that there is enough distance between bottom cowl and water surface to prevent water from entering the engine.

- **Make sure to mount the engine in correct position. If outboard motor is mounted incorrectly, water may intrude the engine from openings of the bottom cowl while cruising. Exposing the engine to such condition may result in severe damage to the engine.**

ENOM00832-E

Mounting the outboard motor

5

1. Set the outboard motor to appropriate position.
2. Tighten the clamp screws by turning their handles.
3. Secure the clamp brackets to the transom board using bolts, flat washers and nylon locking nuts.
4. Secure the outboard motor to the boat with a rope to prevent accidental loss of the outboard motor overboard.

ENON00930-1

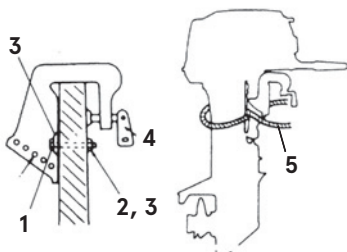
Note

- Do not use tools to tighten clamp screws. Over tightening could result in damage to the clamp screws and clamp brackets.
- Do not reuse nylon locking nut.

ENON00931-0

Note

- Mounting hardware is included in the standard accessories for certain engine type only. Please refer section 12. Tool and spare parts.
- Rope is not included in the standard accessories.



ENOF01707-0

1. Bolt (8 × 85)
2. Nylon locking nut
3. Washer
4. Clamp screw
5. Rope

ENON00948-0

Notes

- Apply sealing agent, such as silicone sealant between the bolts and the transom board holes before tightening the bolts.
- Do not reuse nylon locking nut.

ENOM00029-1

2. Battery installation

ENOW00012-1

⚠ WARNING

Battery electrolyte contains sulfuric acid and is hazardous, causes a burn if come in contact with your skin, and poisonous if swallowed.

Keep battery and electrolyte away from reach of children.

When handling the battery, be sure to:

- Read all warnings shown on the battery case.
- Prevent electrolyte from coming in contact with any part of your body. Contact can cause serious burn or, if come in contact with your eye, loss of sight. Use safety glasses and rubber gloves.

In case you came in contact with battery electrolyte:

- For skin, flush thoroughly with water.
- For eye, flush thoroughly with water, and then seek immediate medical treatment.

In case battery electrolyte is swallowed:

- Seek immediate medical treatment.

ENOW00013-A

⚠ WARNING

Battery generates explosive hydrogen gas.

Be sure to:

- Charge the battery in a well-ventilated place.
- Place the battery away from any source of fire, sparks and open flames such as burners or welding equipment.
- Do not smoke near the battery when the battery is charging.
- Do not charge the battery when the electrolyte level is low. Otherwise, the battery will be damaged and may cause malfunction.

ENOW00014-0

⚠ CAUTION

- Make sure that the battery leads do not get stuck between the outboard motor and boat when turning, etc.
- The starter motor may fail to operate if the leads are incorrectly connected.
- Be sure to correctly connect the (+) and (-) leads. If not, the charging system will be damaged.
- Do not disconnect the battery leads from battery while the engine is operating, the electrical parts could be damaged.
- Always use a fully charged battery.

ENOW00015-1

⚠ CAUTION

Do not use a battery that is not recommended. Use of a battery not recommended can lead to poor performance of, and/or damage to the electrical system.

ENON00006-1C

Note

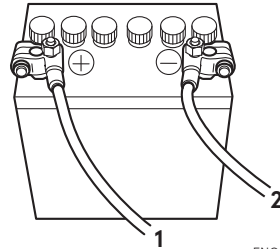
Minimum battery requirements: 12v 64Ah/5HR, 12v 70Ah/20HR, 512 Cold Cranking Amps (CCA).

Larger capacity battery is required when it is used under a freezing condition. Recommend connecting only the engine battery cables to the starting battery. Specifications and features of battery vary by manufacturers.

Consult the manufacturer for details.

* The battery should be purchased separately and is not supplied with the out-board motor.

1. Place the battery box in a convenient position away from possible water and moisture. Securely fasten both the box and the battery so they do not shake loose.
2. Connect the positive lead (+) to the positive terminal (+) of the battery, and then connect the negative lead (-). When disconnecting the battery, always remove the negative lead (-) first. After connecting the positive terminal (+), securely place a cap on it to prevent short circuits.



ENOF00022-1

1. Battery cord (red)
2. Battery cord (black)

PRE-OPERATING PREPARATIONS

ENOM00030-A

1. Fuel handling

ENOW000017-0

CAUTION

Use of improper gasoline can damage your engine. Engine damage resulting from the use of improper gasoline is considered misuse of the engine, and damage caused thereby will not be covered under the limited warranty.

ENOM00031-1

FUEL RATING

Use only major brand unleaded fuel meeting the following specifications:

USA and Canada – having a posted pump Octane Rating of 87 (R+M)/2 minimum. Premium gasoline (92 [R+M]/2 Octane) is also acceptable. Do not use leaded gasoline.

Outside USA and Canada – Use unleaded gasoline with declared octane rating of 91 RON or over. Use of premium gasoline of 98 RON is also allowed.

ENOM00032-1

GASOLINES CONTAINING ETHANOL

The fuel system components on your TOHATSU outboard motor will withstand up to 10% ethyl alcohol (hereinafter referred to as the "ethanol") content in the gasoline. If the gasoline in your area contains ethanol, be aware of certain adverse effects that can occur. Increasing the percentage of ethanol in the fuel can also worsen these adverse effects. Some of these adverse effects are caused by ethanol absorbing moisture in

the air, which leads to separation of the water/ethanol from the gasoline in the fuel tank.

Use of gasoline containing ethanol may accelerate:

- Corrosion of metal parts
- Deterioration of rubber or plastic parts
- Fuel permeation through rubber fuel lines
- Starting and operating difficulties

If the use of gasoline containing ethanol cannot be avoided or presence of ethanol is suspected in the gasoline, it is recommended to use a filter to separate water, and frequently check the fuel system for leaks, mechanical parts for corrosion and abnormal wear.

In case any of such abnormality is found, discontinue the use of such gasoline and contact our dealer immediately. If the outboard motor will only be used infrequently, please see the remarks on fuel deterioration in the STORAGE chapter (P 66) for additional information.

ENOW00975-0

CAUTION

When operating an outboard motor with gasoline containing ethanol, storing gasoline in the fuel tank for long periods should be avoided. Storing gasoline for long periods creates unique problems. In cars, ethanol blended fuels are normally consumed before they can absorb enough moisture to cause problems, but boats often sit idle long enough for separation phase to take place. In addition, internal corrosion may take place during storage if ethanol washes away the oil films protecting internal components.

ENOW00018-1

WARNING

Fuel leakage can cause fire or explosion, potentially leading to severe injury or loss of life. Every part of fuel system should be inspected periodically. Inspect for fuel leak, hardness or any alteration of rubber, expansion and/or corrosion of metals especially after long term storage. In case any indication of fuel leakage or degradation in fuel system is found, replace the part immediately before using the outboard motor.

ENOM00043-B

2. Fuel filling

ENOW00976-0

WARNING

Do not fill the fuel tank over capacity. Under high temperature conditions, excessive gasoline may evaporate/leak through air vent screw when it is loose or open. Leaking of gasoline is a may lead to a dangerous fire hazard.

ENOW00028-1

WARNING

Consult an authorized dealer for details on handling gasoline, if necessary.

Gasoline and its vapor are very flammable and can be explosive.

When carrying a fuel tank containing gasoline:

- Close the fuel tank cap and air vent screw of fuel tank cap, or gasoline may evaporate through the air vent screw and may lead to a fire hazard.
- Do not smoke.

When or before refueling:

- Be sure to remove the static electricity charged in your body before refueling.

- The static electricity may ignite the gasoline vapor during refueling.
- Stop the engine, and do not start the engine during refueling.
- Do not smoke.
- Be careful not to overfill fuel tank. Wipe up any spilled gasoline immediately.

When or before cleaning the gasoline tank:

- Dismount fuel tank from the boat.
- Place the fuel tank away from every source of ignition, such as sparks or open flames.
- Do the work outdoors or in a well ventilated area.
- Wipe up gasoline well immediately if spilled.

After cleaning gasoline tank:

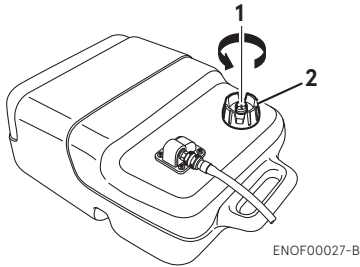
- Wipe up gasoline well immediately if spilled.
- If the fuel tank is disassembled for cleaning, reassemble carefully. Incorrect assembly may cause a fuel leak, possibly leading to fire or explosion.
- Dispose aged or contaminated gasoline in accordance with local regulations.

ENOW00029-1

WARNING

When opening fuel tank cap, be sure to follow the procedure described below. Fuel could blast out if the fuel tank cap is opened by using another procedure when internal pressure of fuel tank is raised by heat from sources such as sun light.

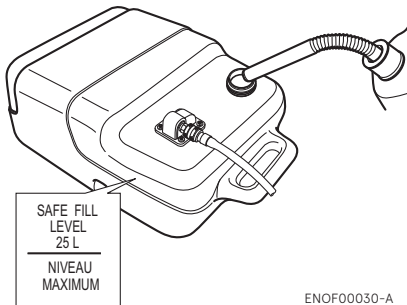
1. Fully open the air vent screw on the fuel tank cap and release internal pressure.



1. Air vent screw
2. Fuel tank cap

2. Open the fuel tank cap slowly.
3. Fill the fuel carefully not to overflow.

6



4. After filling the tank, close the fuel tank cap.

ENOM01002-0

3. Engine oil recommendation

ENOW0002A-A

CAUTION

Use of engine oils that do not meet these requirements will result in reduced engine life, and other engine problems.

Use a genuine two stroke engine oil ones recommended (TC-W3). Refer to your Distributor.

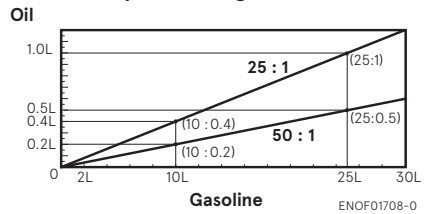
Use of other two stroke engine oil is not recommended.

Add engine oil into fuel tank. The mixing ratio of gasoline and oil is 50:1. Make sure that gasoline and oil are mixed well. The mixing ratio during break in is 25:1.

Mixing Ratio

	Gasoline : Engine Oil
During break-in	25 : 1
After break-in	50 : 1

Fuel by Oil Mixing (50:1, 25:1)



ENOM01003-0

Engine oil – gasoline mixing procedure

ENOW00937-1

CAUTION

- Do not use other than two stroke engine oil with specified grade, or the engine may be damaged.
- Do not use fuel prepared in other than specified mixing ratio.
 - Lack of engine oil can cause severe engine problems such as piston seizure.
 - Excess of engine oil can shorten spark plug life, and/or cause increase of noxious exhaust.

For engine oil and gasoline mixing ratio, refer to table.

■ **When portable fuel tank is used for operation of outboard motor(s):**

1. Pour engine oil into fuel tank, and then, gasoline.
2. Put cap on the tank, and close tightly.
3. Close air vent plug tightly.

ENOW00938-0

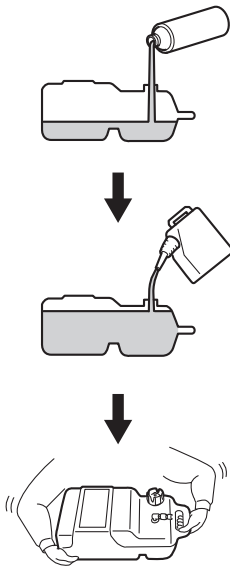


Loose cap or air vent plug can cause leak of fuel.

4. Shake the tank to mix engine oil and gasoline well.

■ **For boat with built in fuel tank:**

1. Prepare separate fuel container for pre-mixing.



ENOF01709-0

2. Pour engine oil into fuel container, and then, gasoline.

3. Put cap on the container, and close tightly.
4. Shake the container to mix engine oil and gasoline well.
5. Pour the fuel into fuel tank.

ENON00922-1

Notes

- It is recommended to pre-mix by using separate fuel container. Avoid mixing the oil and gasoline in the built in fuel tank on the boat.
- If mixing in built-in fuel tank on the boat, allow it to mix well by pouring engine oil into the tank little by little while pouring gasoline into the tank.

ENOM00033-B

4. Break-In

Your new outboard motor and lower unit require break-in for the moving components according to the conditions described in the following timetable.

ENOW00024-1

DANGER

Do not operate the outboard motor in closed area or area with not enough ventilation.

Exhaust gas emitted by the outboard motor contains carbon monoxide that may cause dizziness, nausea, other health problem or even death if inhaled continuously.

During operation of the outboard motor:

- Keep peripheral area well ventilated.
- Always stay on the windward side of emission.

ENOW00023-1

CAUTION

Operating the outboard motor without break-in can shorten life of the product.

If any abnormality is experienced during the break-in:

- Discontinue the operation immediately.
- Have the dealer check the product and take proper action(s) if necessary.

ENOM01004-0

Fuel mix ratio for break-in

Gasoline 25: Genuine Engine Oil 1

ENON00008-2

Note

- During Break-in, run the outboard motor at varied RPM less than specified engine speed. Not following the procedure may result in problems and may shorten the product life.
- Break-in must be conducted under load in the water in-gear with propeller installed.

6

	1-10 min	10 min - 2 hrs	2-3 hrs	3-10 hrs	After 10 hrs
Throttle Position	Idle	Less than 1/2 throttle	Less than 3/4 throttle	3/4 throttle	Full throttle available
Speed		Approx. 3000 min ⁻¹ (rpm) max	Full throttle run allowed for 1 min every 10 min	Approx. 4000 min ⁻¹ (rpm). Full throttle run allowed for 2 min every 10 min	

ENGINE OPERATION

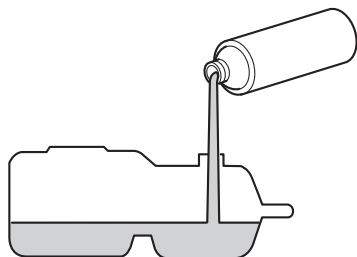
ENOM00042-0

Before starting

ENOW00022-B

CAUTION

Be sure to fill the engine before starting engine. (To properly fill the engine with oil follow the instructions. See page 28)



ENOF01710-0

ENOM00044-E

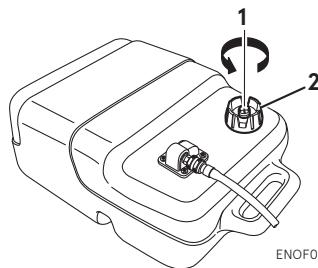
1. Fuel feeding

ENOW00029-1

WARNING

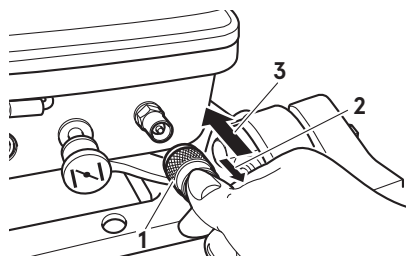
When opening fuel tank cap, be sure to follow the procedure described below. Fuel could blast out if the fuel tank cap is opened by using another procedure when internal pressure of fuel tank is raised by heat from sources such as sun light.

1. Fully open the air vent screw on the fuel tank cap.



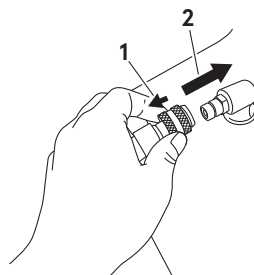
ENOF00027-B

1. Air vent screw
 2. Fuel tank cap
2. Open the fuel tank cap slowly and release internal pressure completely. After that, close the fuel tank.
 3. Connect the fuel connector to the engine and fuel tank.



ENOF01711-0

1. Fuel connector
2. Pull
3. Insert



ENOF00861-A

1. Pull
2. Insert

- Squeeze primer bulb until it becomes stiff to feed fuel to carburetor. Point the arrow mark upward when priming.



ENOF00862-0

- Engine side
- Fuel tank side

Do not squeeze primer bulb with engine running or when the outboard motor is tilted up to avoid fuel from overflowing.

ENOW00045-A

2. Starting the engine

ENOW00958-1

WARNING

- Do not remove or install the top cowl after the engine has started.
- The exposed rotating engine parts cause serious injury.

ENOW00959-0

CAUTION

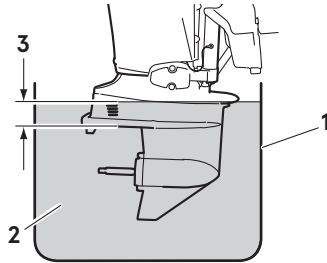
The top cowl must be installed while the engine running except in an emergency. If the top cowl is not installed correctly, water splash can damage the engine.

ENOW00036-1A

CAUTION

When starting the outboard motor in the test tank, make sure that:

- Water level is at least 10 cm (4 in.) above the anti-ventilation plate to avoid overheating of the engine.
- Run at idling only
- Remove the propeller (See page 61)



ENOF00863-0

- Test tank
- Water
- Over 10 cm (4 in.)

ENOW00036-1

CAUTION

Operating outboard motor without cooling water will lead to overheating and damage on the outboard motor severely. In case the cooling water check port is not discharging water, stop the outboard motor immediately, check for any object, debris which may be blocking the cooling water check port. If you are unable to locate the cause, consult an authorized dealer immediately.

This model is provided with start in gear protection.

ENON00010-1

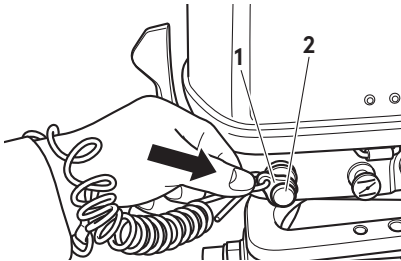
Note

Start-in-gear protection prevents the engine from starting at other than neutral shift. In-gear starting of engine will move the boat immediately, potentially leading to fall down or causing passenger(s) to be thrown overboard.

ENOM01005-B

Tiller handle type

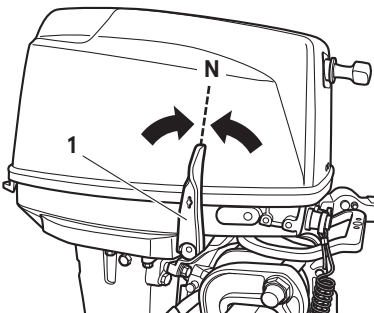
1. Be sure to install the stop switch lock to the stop switch, and attach the stop switch lanyard securely to the operator or to the operator's PFD (Personal Flotation Device.)



ENOF01805-0

1. Stop switch lock
2. Stop switch

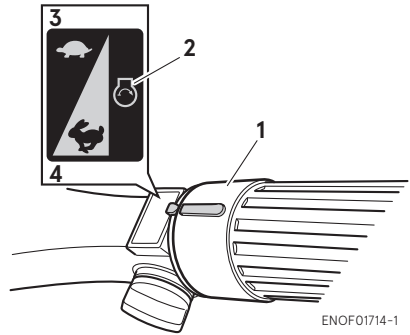
2. Set the shift lever in the Neutral position.



ENOF01806-0

1. Shift lever

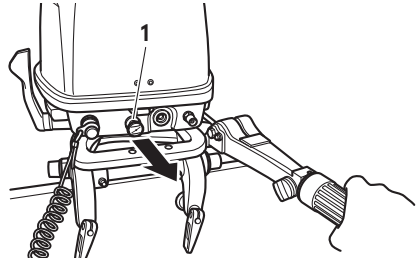
3. Set the throttle grip to START position.



ENOF01714-1

1. Throttle grip
2. START position
3. Fully closed
4. Fully opened

4. Pull the choke knob fully.

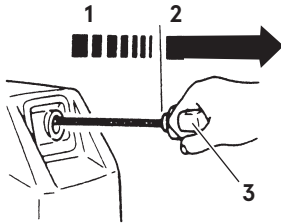


ENOF01824-0

1. Choke knob

(For manual starter type)

5. Pull the starter handle slowly until you feel engagement, keep pulling till you feel less resistance. Then pull it quickly. Repeat the procedure until the outboard motor is started.

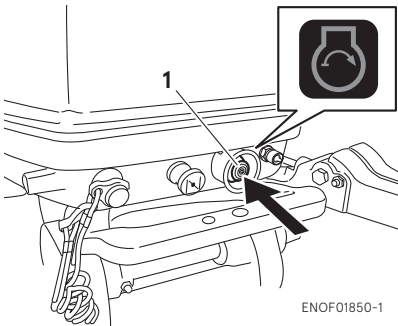


ENOF00519-0

1. Slowly
2. Quickly
3. Starter handle

7 (For electrical starter type)

4. Push the starter switch button and release the button when the engine has started.



ENOF01850-1

1. Starter switch button

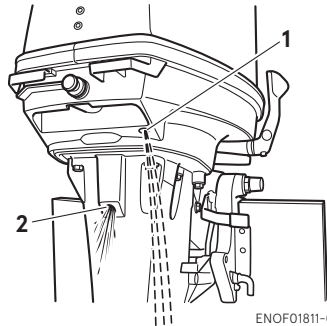
ENOW00032-0

⚠ CAUTION

Do not keep turning starter motor for over 5 seconds, or the battery may be consumed, potentially making the engine starting impossible and/or damaging the starter.

If cranking over 5 seconds fails to start engine, return main switch to "ON", and crank engine again after 10 seconds or more.

5. Return the choke knob fully after engine has started.
6. Make sure that water is being discharged from the cooling water check port.

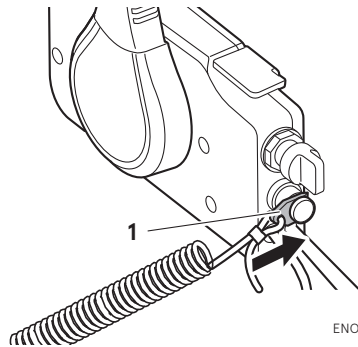


ENOF01811-0

1. Cooling water check port
2. Idle port

Side mount RC type

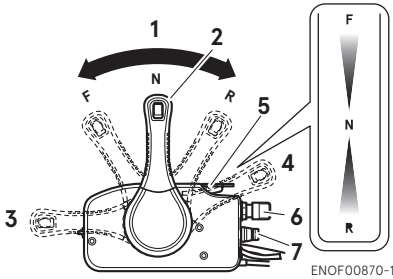
1. Be sure to install the stop switch, and attach the stop switch lanyard securely to the operator or to the operator's PFD (Personal Flotation Device.)



ENOF00869-1

1. Stop switch lock

2. Insert the main switch key.
3. Set the control lever in the Neutral position.
4. Raise the free throttle lever a little (both of cold engine and warm engine).



1. Neutral (N)
2. Control lever
3. Fully opened (Forward)
4. Fully opened (Reverse)
5. Free throttle lever
6. Main switch key
7. Stop switch

ENON00035-1

Note

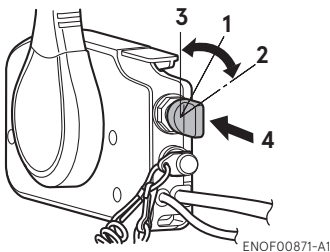
The free throttle lever cannot be raised when the control lever is in Forward or Reverse.

5. Turn the main switch key to START position. Then, continuously push the key to operate the choke.

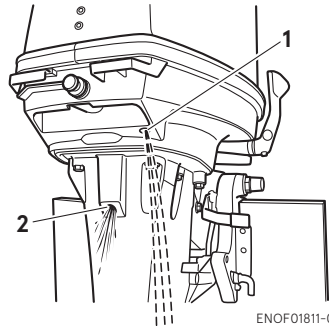
ENON00503-0

Note

Choke operation is not necessary if the engine is warm.



1. ON
 2. START
 3. OFF
 4. Push to operate choke knob.
6. Stop pushing the key when the engine has started.
The key returns to the original position, automatically.
 7. Return the free throttle lever after engine has started.
 8. Make sure that water is being discharged from the cooling water check port.



1. Cooling water check port
2. Idle port

ENOM00042-F

Emergency starting

ENOW00099-1

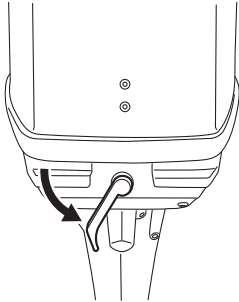
⚠ WARNING

When the emergency starter rope is used for starting engine;

- **Start in gear protection does not work. Make sure that shift is in neutral position. If the gear is in Forward or Reverse, the boat can start moving immediately and may lead to accident and personal injury.**
- **Be careful that of your clothes or other items do not to get caught in the rotating parts.**
- **To prevent accident and injury by rotating parts, do not re-attach flywheel cover or recoil starter and the top cowl after the engine has been started.**

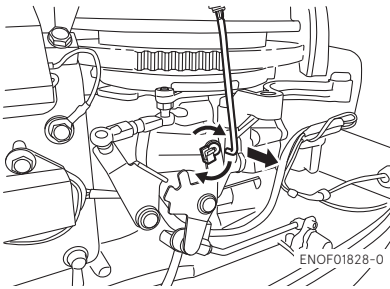
- Do not pull starter rope if any bystander is around.
- Attach engine stop switch lanyard to clothing or any part of body such as wrist, arm before starting engine the outboard motor.

1. Remove the top cowl.



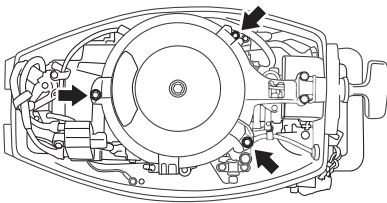
ENOF01807-0

2. Disconnect the linkage of the starter lock rod.



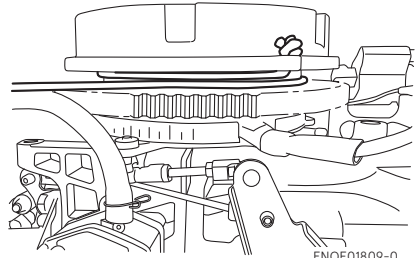
ENOF01828-0

3. Remove the bolts (3pcs) and remove the recoil starter.



ENOF01808-0

4. Insert the knotted end of the starter rope into the notch in the flywheel and wind the rope around the flywheel clockwise several times.



ENOF01809-0

5. Tie a loop to other end of the emergency starter rope and attach socket wrench that is included in the tool kit.

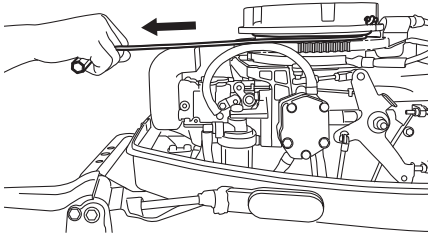
ENOW00860-0

! CAUTION

Be sure to keep the harness away from the rotation parts.

6. Be sure to install the stop switch lock to the stop switch, and attach the stop switch lanyard securely to the operator or to the operator's PFD (Personal Flotation Device.)
7. Set the shift lever in the Neutral position.

- Pull the starter handle slowly until you feel engagement, keep pulling till you feel less resistance, then pull it quickly.



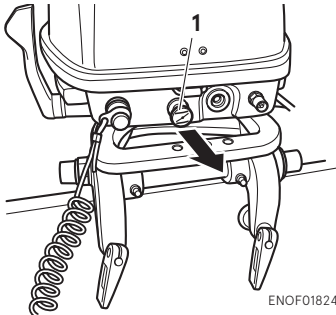
ENOF01826-0

- Once the outboard motor is started, do not reinstall recoil starter and top cowl.

ENOM00518-0

If the choke solenoid fails to operate (EP type only)

- Pull the choke knob fully.



ENOF01824-C

- Choke knob
- Raise the Free accel lever a little.
- Turn the main switch key to start position.
- Once the outboard motor is started, stop pushing the key.
- Return the choke knob.

ENOM00043-A

3. Warming up the engine

ENOW00932-1

⚠ CAUTION

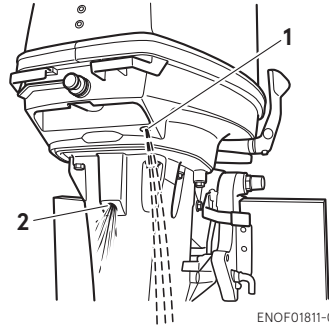
Be sure to check that cooling water is discharged from the cooling water check port during warm up.

Warm the engine at low engine speeds for about

3 minutes : above 5°C (41°F)

5 minutes at 2000 min⁻¹ (rpm) : above 5°C (41°F)

This allows the lubricating oil to circulate to all parts of the engine. Operating the engine without warm up shortens the engine's life.



ENOF01811-0

- Cooling water check port
- Idle port

ENOM00044-A

Engine speeds

Idling speed after warming up.

Trolling speed (In Forward)	Idling speed (in Neutral)
800 min ⁻¹ (rpm)	950 min ⁻¹ (rpm)

ENOM00972-0

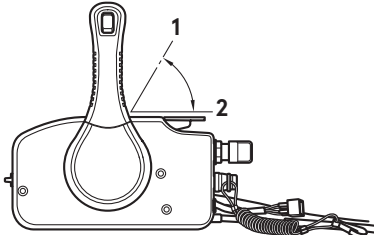
Free throttle lever (Side mount RC type)

ENOW00956-0

⚠ CAUTION

- Keep the free throttle lever fully closed position when start the engine.
- The free throttle lever is inoperative unless the control lever is in neutral.
- Also, the control lever is inoperative unless the free throttle lever is returned to the fully-closed position.

The free throttle lever is for warm-up operation. (Not required for engine starting) With the control lever in neutral, move the free throttle lever upward to open the throttle.



ENOF00934-0

1. Fully-open
2. Fully-closed

ENOM00046-A

4. Forward, reverse, and acceleration

ENOW00037-1

⚠ WARNING

Before shifting into forward or reverse, make sure that boat is properly moored and outboard motor can be steered fully to the right

and left. Make sure that no swimmer(s) is around of the boat.

ENOW00967-0

⚠ WARNING

- Attach other end of emergency stop switch lanyard to the operator's PFD (Personal Flotation device) or arm and keep it attached during cruising.
- Do not attach the lanyard to a part of clothing that can be torn easily when pulled.
- Arrange the lanyard so that will not be caught by any object when pulled.
- Be careful not to pull the lanyard accidentally during cruising. Unintentional stop of engine can cause loss of control of outboard motor. Rapid loss of engine power can lead to falling down or causing passenger(s) to be thrown overboard.

ENOW00042-1

⚠ WARNING

- Do not shift into Reverse during planing, or control will be lost leading to serious personal injury, boat may swamp, and/or hull may be damaged.
- Do not shift into Reverse during cruising, or control may be lost, fall down or causing passenger(s) to be thrown overboard. Leading to serious personal injury, and steering system and/or shifting mechanism may be damaged.

ENOW00861-1

⚠ WARNING

Do not shift at high boat speed, or control may be lost, fall down or causing passenger(s) to be thrown overboard. Leading to serious personal injury.

ENOW00867-1

WARNING

Sudden acceleration and deceleration may cause passenger(s) to be thrown overboard or fall down.

ENOW00862-1

CAUTION

Gear and clutch damage may occur if shifting at high engine speed.
Engine must be in the slow idle position before shifting .

ENOW00863-0

CAUTION

Idle speed may be higher during warming up of engine. If shifted to Forward or Reverse during warming up, it may be difficult to shift back to neutral. In such case, stop engine, shift to neutral, and restart engine to warm up.

ENON00014-0

Note

Frequent shifting to forward or reverse can accelerate wear or degradation of parts. In such case, replace gear oil earlier than the period specified.

ENOW00864-0

CAUTION

Do not increase engine speed unnecessarily when the shift is in neutral and reverse, or engine damage may occur.

ENOM00890-A

Tiller handle type

ENOW00865-A

CAUTION

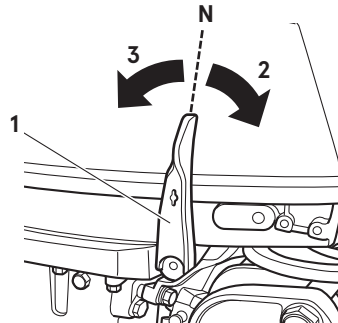
Do not force to shift when the throttle grip is not in the fully closed position, otherwise, steering system and/or shifting mechanism may be damaged.

Forward

1. Turn the throttle grip to reduce engine speed.
2. When the engine reaches trolling (or idling) speed, quickly pull the shift lever to the Forward position.

Reverse

1. Turn the throttle grip to reduce engine speed.
2. When the engine reaches trolling (or idling) speed, quickly pull the shift lever to the Reverse position.

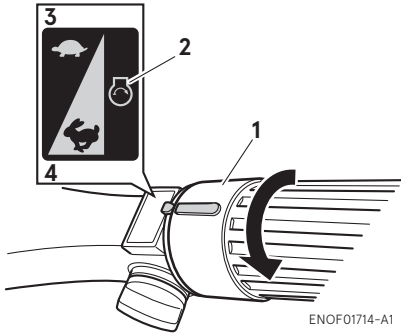


ENOF01812-0

1. Shift lever
2. Forward
3. Reverse

Acceleration

Open throttle grip gradually.

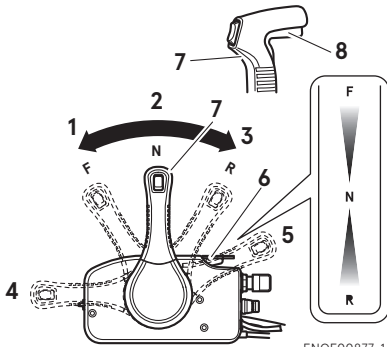


ENOF01714-A1

1. Throttle grip
2. START position
3. Fully closed
4. Fully opened

ENOM0900-0

Side mount RC type



ENOF00877-1

1. Forward (F)
2. Neutral (N)
3. Reverse (R)
4. Fully opened (Forward)
5. Fully opened (Reverse)
6. Free throttle lever
7. Control lever
8. Lock button

Forward

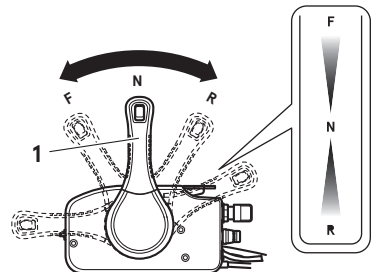
1. Quickly push the control lever to the Forward (F) position 32°, where the gear will be connected, while lifting up on the lock button located under the control lever grip.
2. Further forward motion will open the throttle.

Reverse

1. Quickly pull the control lever to the Reverse (R) position at 32°, where the gear will be connected, while lifting up on the lock button located under the control lever grip.
2. Further rearward motion will open the throttle.

Acceleration

Open throttle grip or control lever gradually.



ENOF00879-2

1. Control lever

ENOM00049-A

5. Stopping the engine

ENOW00868-1

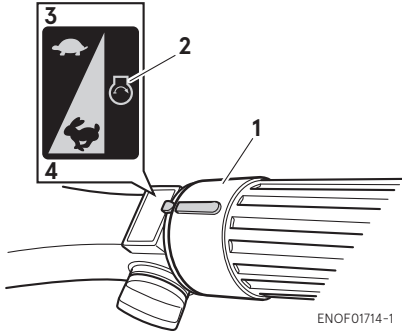


Be careful not to remove engine stop switch lanyard from engine accidentally while boat is running. Sudden stop of engine can cause loss of steering control, speed, possibly

leading the crew(s) and or objects on the boat to be thrown forward due to inertial force.

Tiller handle type

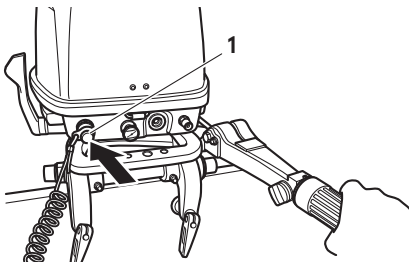
1. Turn the throttle grip to the fully closed position.



ENOF01714-1

1. Throttle grip
2. START position
3. Fully closed
4. Fully opened

2. Put the shift lever in the Neutral position.
Run the engine for 2-3 minutes at idling speed for cooling down if it has been running at full speed.
3. Push the stop switch for a few seconds to stop the engine.

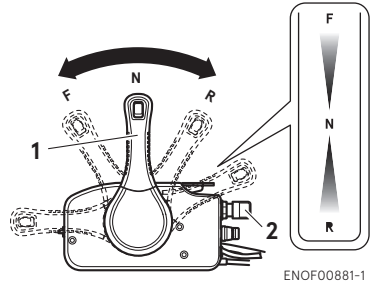


ENOF01824-A

1. Stop switch

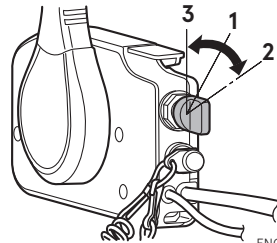
Side mount RC type

1. Put the control lever in the Neutral position and run the engine for 2-3 minutes at idling speed for cooling down if it has been running at full speed.



ENOF00881-1

1. Control lever
 2. Main switch key
2. Turn the main switch key to the OFF position or push the stop switch. (Do not forget to turn the key off).



ENOF00871-1

1. ON
2. START
3. OFF

ENOW00869-1

! WARNING

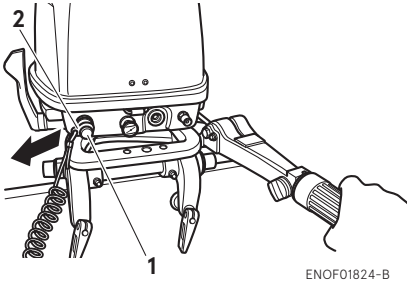
After stopping the engine:

- Close the air vent screw on the fuel tank cap.
- Disconnect the fuel connector from the engine and the fuel tank.

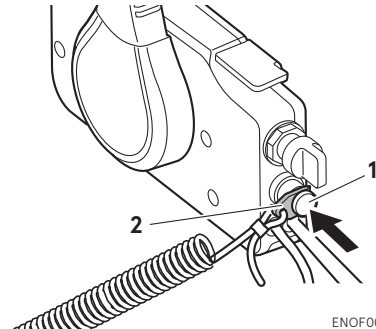
- **Disconnect the battery cable, after each use.**

Emergency engine stopping

Remove stop switch lock to stop the engine.



ENOF01824-B



ENOF00869-A

1. Stop switch
2. Stop switch lock

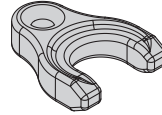
ENOM00910-1

Spare emergency stop switch lock

A spare emergency stop switch lock is provided in the accessories bag.

Make sure that spare stop switch lock is available before operating outboard motor. When used as described, the emergency stop switch clip and emergency stop switch lanyard system stops the engine if the operator is thrown over-

board. When an operator falls into water, be sure to use spare emergency stop switch lock.



ENOF00891-0

ENOM00920-0

6. Steering

ENOW00870-1

⚠ WARNING

Sudden steering may cause passenger(s) to be thrown overboard or fall.

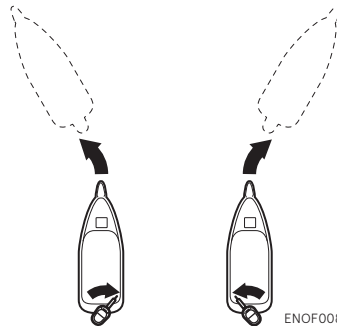
Tiller handle type

Right turn

Move the tiller handle to the left

Left turn

Move the tiller handle to the right.



ENOF00892-0

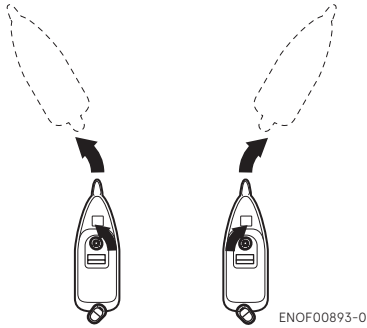
Remote control type

Right turn

Turn the steering wheel to the right.

Left turn

Turn the steering wheel to the left.



ENOM00050-0

7. Trim angle

ENOW00043-1

⚠ WARNING

- Adjust the trim angle when the engine is stopped.
- Do not put hand or finger in between outboard motor body and clamp bracket when adjusting trim angle to prevent possible injury.
- Unsuitable trim position can cause loss of control of boat. When testing a trim position, run the boat slowly initially to see if it can be controlled safely.

ENOW00044-1

⚠ WARNING

Excessive trim up or down may cause unstable boat operation, loss of control that may lead to accident during cruising.

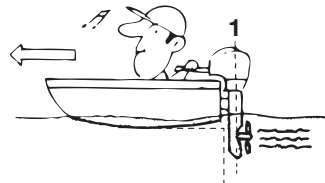
- For manual tilt model, if you feel the trim is improperly positioned, stop the boat and readjust trim angle before continuing to cruise.
- For outboard motor model with pt or PTT switch on the bottom cowl, do not operate the switch during while cruising, or control of boat may be lost.

The trim angle of the outboard motor can be adjusted to suit the transom angle of the hull, and load conditions. Choose an appropriate trim angle that will allow the anti-ventilation plate to run parallel to the water surface during operation.

ENOM00052-0

Proper trim angle

The position of the thrust rod is correct if the hull is horizontal during operation.



ENOF00051-1

1. Perpendicular to the water surface

ENOM00053-0

Improper trim angle (bow rises too high)

Set the thrust rod lower if the bow of the boat rises above horizontal.



ENOF00052-0

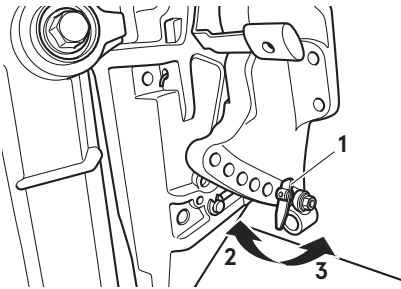
ENOM00054-0

Improper trim angle (bow dips into the water)

Set the thrust rod higher if the bow of the boat is below horizontal.



ENOF00053-0



ENOF01724-0

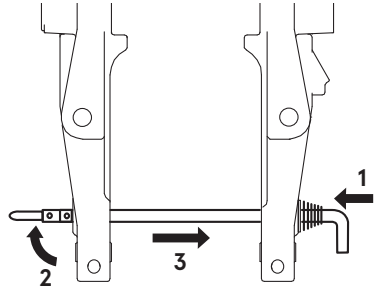
- 1. Thrust rod
- 2. Higher
- 3. Lower

Trim angle adjustment

The transom angle adjustment

- 1. Stop the engine.
- 2. Shift into neutral position.
- 3. Tilt up the outboard motor.

- 4. Remove the thrust rod as shown picture.



ENOF01238-1

- 1. Push in
- 2. Rise the stopper
- 3. Pull out
- 5. Reinstall the thrust rod in the desired position securely.
- 6. Gently tilt down the outboard motor.

ENOM00060-A

8. Tilt up and down

ENOW00055-1



Do not tilt the outboard motor up or down when swimmer(s) and/or passenger(s) are near to prevent them from being caught between outboard motor body and clamp bracket.

ENOW00048-1



When tilting up or down, be careful not to place your hand between the swivel bracket and the clamp bracket.

ENOW00056-A

! WARNING

When tilting up outboard motor with fuel joint for over a few minutes, be sure to disconnect fuel hose, or fuel may leak, potentially catching fire.

ENOW00057-1

! CAUTION

Do not tilt up the outboard motor while engine is operating, or no cooling water may be discharged, leading to engine seizure due to overheating.

ENON00921-1

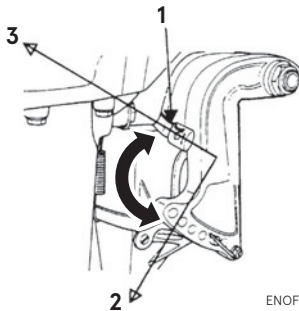
Note

After use, leave the outboard motor upright for a minute to drain the water from inside the engine.

ENOM00062-1B

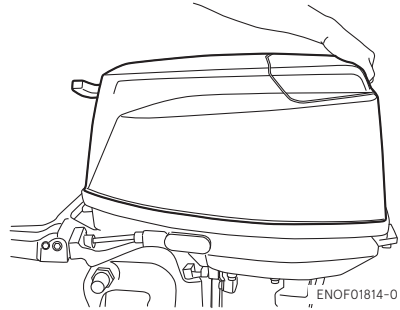
Tilt up

Push the reverse lock lever down until it stops. (This is the tilt up position.) Then, tilt the outboard motor all the way up until it is locked in place.



1. Reverse lock lever
2. Tilt up position
3. Tilt down position

ENOF01813-0

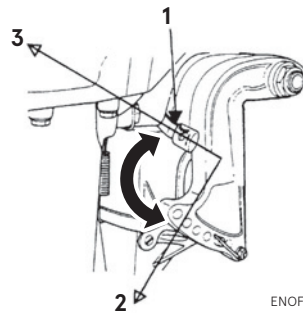


ENOF01814-0

ENOM00063-1

Tilt down

Pull the reverse lock lever upward until it comes to a stop (This is the tilt down position), lift up the outboard motor to free it from the reverse lock, then release to lower the outboard motor.



ENOF01813-0

1. Reverse lock lever
2. Tilt up position
3. Tilt down position

ENOM00068-A

9. Shallow water operation

ENOW00051-0

WARNING

During shallow water operation, be careful not to place your hand between the swivel bracket and the clamp bracket. Be sure to tilt the outboard motor down slowly.

ENOW00053-0

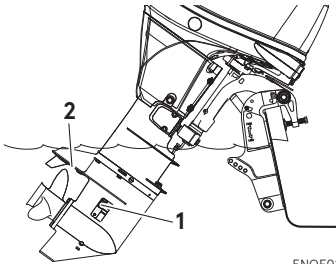
CAUTION

While in shallow water drive position, do not operate the outboard motor in Reverse. Operate the outboard motor at slow speed and keep the cooling water intake submerged.

ENOW00054-1

CAUTION

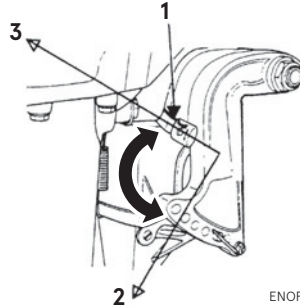
Do not over tilt the outboard motor when driving in shallow water, or air may be sucked through water inlet and sub-water inlet, potentially leading to engine overheating.



ENOF01144-0

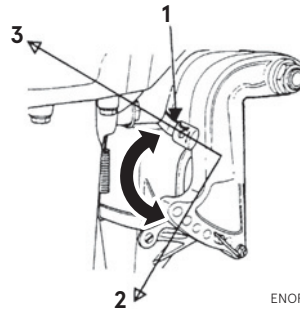
1. Water inlet
2. Sub-water inlet

1. Shallow water running position: Put the reverse lock lever in the tilt up position, and tilt up the outboard motor to put the outboard motor in the shallow water running position.



ENOF01813-0

1. Reverse lock lever
 2. Tilt up position
 3. Tilt down position
2. Return to normal running position: Put the reverse lock lever in the tilt down position, slightly lift up the outboard motor, and then put it down.



ENOF01813-0

1. Reverse lock lever
2. Tilt up position
3. Tilt down position

REMOVING AND CARRYING THE OUTBOARD MOTOR

ENOM00070-B

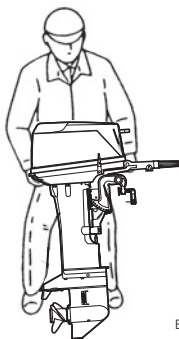
1. Removing the outboard motor

ENOW00064-1

CAUTION

Engine may be hot immediately after operation and could cause burns if came in contact. Allow engine to cool down before attempting to carry the outboard.

1. Stop the engine.
2. Disconnect the fuel connector, the remote control cables from the outboard motor.
3. Remove the outboard motor from boat and completely drain the water from the gear case.



ENOF01825-0

ENOM00071-A

2. Carrying the outboard motor

ENOW00933-0

WARNING

Be sure to disconnect fuel connector except when operating engine.

Fuel leakage is a fire or explosion hazard, which can cause serious injury or death.

ENOW00065-1

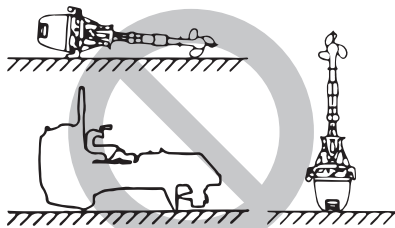
WARNING

Close air vent screw on fuel tank before carrying or storing outboard motor and fuel tank, or fuel may leak, potentially catching fire.

ENOW00066-1

CAUTION

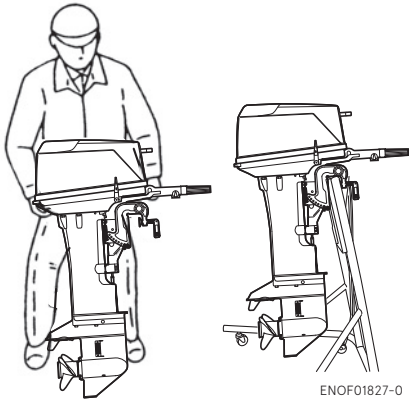
- Do not give a shock to an outboard motor during transportation.
- Do not carry or store outboard motor in any of positions described below. Otherwise, engine's exterior may be damaged or water may enter the cylinder through the exhaust port and cause engine problems.



ENOF01727-0

Keep the outboard motor in a vertical position when carrying.

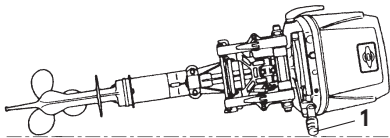
The optional outboard motor stand is recommended for keeping the outboard motor vertical both during transport and storage.



ENOF01827-0

ENON00021-3
Note

If the outboard motor must be laid down, be sure that fuel is completely drained, then lay the outboard motor with port side down on the cushion as shown in the drawing.



ENOF01815-0

1. Handle

ENOM00072-A

3. Trailing

ENOW00072-0

CAUTION

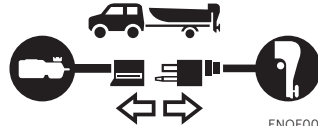
Trailing in the tilted position may cause damage to the outboard motor, boat, etc.

ENOW00073-A

WARNING

Be sure to disconnect fuel connector except when operating engine.

Fuel leakage is a fire or explosion hazard, which can cause serious injury or death.



ENOF00075-1

ENOW00068-1

WARNING

Close air vent screw on fuel tank and fuel cock before carrying or storing outboard motor and/or fuel tank, or fuel may leak, potentially catching fire.

ENOW00071-0

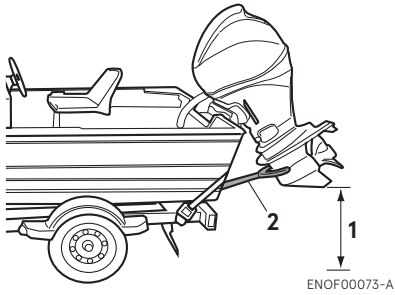
CAUTION

The tilt support device supplied on your outboard motor is not intended for towing. It is intended to support the outboard motor while the boat is docked, beached, etc.

When transporting a boat on a trailer with the outboard motor attached, disconnect the fuel line from the outboard motor beforehand and keep the outboard motor in the vertical or on a transom saver bar.

Tiller handle type

While transporting outboard motor attached to the boat on a trailer, properly tighten the steering friction bolt to prevent the outboard motor from moving (page 50).



1. Ground clearance should be provided sufficiently.
2. Transom saver bar

ENOW00067-0

⚠ WARNING

Do not go under outboard motor tilted up even if it is supported by support bar, or accidental fall of outboard motor could lead to severe personal injury.

ADJUSTMENT

ENOM00073-C

1. Steering friction

ENOW00074-2

WARNING

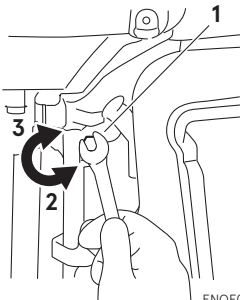
Steering may be difficult when steering friction adjustment bolt is over tightened, it may also result in loss of control causing an accident and could lead to severe injury.

ENON00506-1

Note

The steering friction adjustment bolt is used to adjust the friction load of the steering. Excessive tightening of the adjustment bolt may cause damage to the swivel bracket.

Steering friction can be adjusted in accordance with your preference by turning the steering friction adjustment bolt.



ENOF01816-0

1. Steering friction adjustment bolt
2. Lighter
3. Heavier

ENOM00074-A

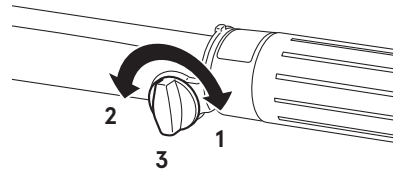
2. Throttle grip friction

ENOW00074-1B

WARNING

Do not overtighten the throttle adjustment screw or it could result in difficult handling of the outboard motor, resulting in the loss of control causing an accident and could lead to severe injury.

Friction adjustment of the throttle grip can be made with the throttle adjustment screw.



ENOF00445-0

1. Heavier
2. Lighter
3. Throttle friction adjustment screw

ENOM00075-0

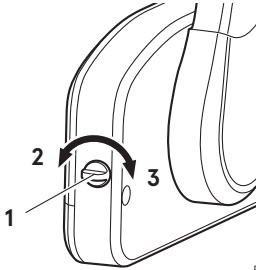
3. Remote control lever friction

ENOW00074-1C

WARNING

Do not overtighten the remote control throttle friction adjustment screw or it could result in difficult handling of the outboard motor, resulting in the loss of control causing an accident and could lead to severe injury.

To adjust the friction of the remote control lever, turn the throttle friction adjustment screw on the front of the remote control. The friction may be increased by turning clockwise and decrease by turning counter-clockwise.



ENOF00078-2

- 1. Throttle friction adjustment screw
- 2. Lighter
- 3. Heavier

ENOM00076-0

4. Trim tab adjustment

ENOW00076-1

! WARNING

- Be sure that the outboard motor is secured to transom or service stand, or accidental drop or fall of outboard motor could lead to severe personal injury.
- Be sure to lock the outboard motor in the tilt up position, or accidental fall of outboard motor could lead to severe personal injury.
- Do not go under outboard motor in the tilt up position and locked, or accidental fall of outboard motor could lead to severe personal injury.

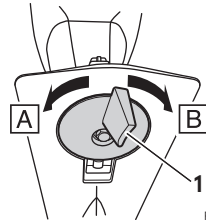
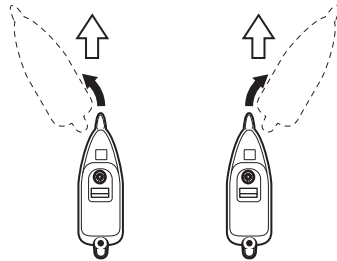
ENOW00075-0

! WARNING

Inappropriate adjustment of trim tab could cause steering difficulty. After installing or readjusting trim tab, check if steering friction is even.

If straight-line cruising can not be achieved, adjust the trim tab located under the anti-ventilation plate.

- If the boat veers toward the left direct the trim tab towards A (left from rear of boat).
- If the boat veers toward the right direct the trim tab towards B (right from rear of boat).



ENOF02449-0

- 1. Trim tab

ENON00022-A

Notes

- After adjustment securely tighten the trim tab fixing bolt.
- Check for looseness of the bolt and the trim tab at regular intervals.

INSPECTION AND MAINTENANCE

ENOM00077-1

Care of your outboard motor

To keep your outboard motor in the best operating condition, it is very important that you perform daily and periodic maintenance as suggested in the maintenance schedules as follows.

ENOW00077-1

CAUTION

- **Your personal safety and that of your passengers depends on how well you maintain your outboard motor. Carefully read all of the inspection and maintenance procedures described in this section.**
 - **The maintenance intervals shown in the checklist apply to an outboard motor in normal use. If you use your outboard motor under severe conditions such as frequent full-throttle operation, frequent operation in brackish water, or for commercial use, maintenance should be performed at shorter intervals. If in doubt, consult your dealer for advice.**
 - **We strongly recommend that you use only genuine replacement parts on your outboard motor. Damage to your outboard motor arising from the use of other than genuine parts is not covered under the warranty.**
-

ENOM01203-0

1. Daily Inspection

Perform the following checks before and after use.

ENOW00078-0



WARNING

Do not use outboard motor if any abnormality is found during pre-operation check or it could result in severe damage to the motor or severe personal injury.

Item	Points to Check	Action
Fuel System	<ul style="list-style-type: none"> Check the amount of fuel in the tank. Check for dust or water in the fuel filter. Check rubber pipes for fuel leakage. 	Replenish Clean or replace Replace *1
Electrical Equipment	<ul style="list-style-type: none"> Check that the stop switch functions normally and make sure the lock plate is secured. Check cords for loose connections and damage. Check the spark plugs for dirt, wear and carbon build-up. 	Remedy or replace *1 Correct or replace *1 Clean or replace *1
Throttle System	<ul style="list-style-type: none"> Check the choke solenoid and valve to make sure carburetor is functioning normally. Check if the carburetor and magneto are working normally by turning the throttle grip, and check for looseness between the links. 	Replace *1 Correct *1
Recoil Starter	<ul style="list-style-type: none"> Check ropes for wear and chafing. Check the ratchet for engagement. 	Replace *1 Correct or replace *1
Clutch and Propeller System	<ul style="list-style-type: none"> Check that clutch engages correctly when operating the shift lever and remote control. Visually check propeller for bent or damaged blades. Check the propeller nut is tightened and the split pin is in correct position. 	Adjust *1 Replace.
Installation of Motor	<ul style="list-style-type: none"> Check all the bolts attaching the motor to the boat. Check the thrust rod installation. 	Tighten Tighten
Cooling Water	<ul style="list-style-type: none"> After starting the outboard motor, make sure that water is being discharged from the cooling water check port. 	Repair *1
Tools and Spares	<ul style="list-style-type: none"> Check that there are tools and spare parts for replacing spark plugs, the propeller, etc. Check that you have the spare rope. 	
Steering Devices	<ul style="list-style-type: none"> Make sure that steering handle and remote control is functioning normally. 	Repair *1
Other Parts	<ul style="list-style-type: none"> Check if the anode and trim tab are securely installed. Check the anode and trim tab for corrosion and deformation. 	Repair if necessary Replace

*1 Have this handled by your dealer.

ENOM00083-1

Washing outboard motor

ENOW00920-0

CAUTION

When washing the outboard motor, be careful not to spray the water inside of the top cowl, especially electrical components.

ENON00026-0

Note

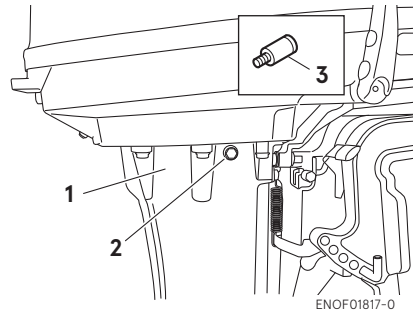
It is recommended to check chemical properties of water on which your outboard motor is regularly used.

If outboard motor is used in salt water, brackish water or water with high acidic level, use fresh water to remove salt, chemicals or mud from exterior and cooling water passage after every use or before storing outboard motor for long time. Before flushing, remove the propeller and the forward thrust holder.

ENOM00085-E

Flushing attachment

1. Tilt down the outboard motor.
2. Remove the water plug from the drive shaft housing, and screw in the flushing attachment.
3. Connect a water hose. Turn on the water and adjust the flow.
Continue flushing the outboard motor for 3 to 5 minutes.
4. After the flushing, be sure to reattach the water plug.



1. Drive shaft housing
2. Water plug
3. Flushing attachment (option)

ENOM00085-A

Flushing by test tank

ENOW00081-1

WARNING

Do not start engine without removing propeller, turning propeller out in the open may lead to personal injury.

ENOW00082-0

WARNING

Never start or operate the engine indoors or in any space which is not well ventilated. Exhaust gas contains carbon monoxide, a colorless and odorless gas which can be fatal if inhaled for any length of time.

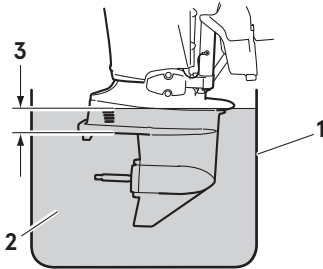
ENOW00036-1A

CAUTION

When starting the outboard motor in the test tank, make sure that:

1. Water level is at least 10 cm (4 in.) above the anti-ventilation plate to avoid overheating of the engine.
2. Run at idling only

3. Remove the propeller (See page 61)



ENOF00863-0

1. Test tank
2. Water
3. Over 10 cm (4 in.)

ENOM01903-0

Gear case flushing device

ENOW00082-0

! WARNING

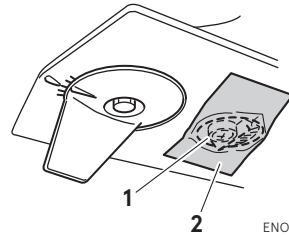
Never start or operate the engine indoors or in any space which is not well ventilated. Exhaust gas contains carbon monoxide, a colorless and odorless gas which can be fatal if inhaled for any length of time.

ENOW00986-0

! CAUTION

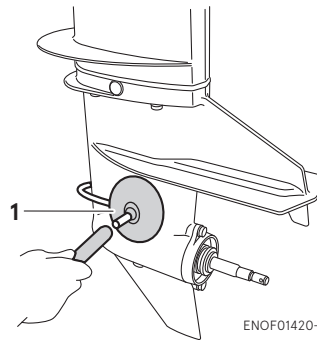
Never leave the outboard motor unattended while running on the flushing devise. When the flushing devise slip off from the gear case, the engine will overheat and may cause serious damage.

1. Fully tilt down the outboard motor.
2. With the propeller removed, seal the sub-water inlet with a tape to prevent air from being sucked into the water pump.



ENOF02559-0

1. Sub-water inlet
2. Tape
3. Install the gear case flushing device on gear case so that the rubber cups cover the cooling water inlets tightly.
4. Connect a water hose to the flushing device and turn on the water and adjust the flow so that excess water continues leaking out from around the rubber cups to ensure the engine is receiving an adequate supply of cooling water.



ENOF01420-C

1. Gear case flushing device

5. Place the shift lever in the neutral position and start the engine and run at idle speed for 3-5 minutes.
6. Check if a steady stream of water flows from the cooling water check port.
7. Stop the engine and turn off the water. Remove the flushing device and tape. Install the propeller.
8. Leave the outboard motor in vertical position to completely drain the cooling water from the outboard motor.

ENOM00950-A

Fuse replacement (For electrical starter type)

ENOW00923-1

⚠ CAUTION

Before replacing a fuse, disconnect the battery cable from the battery negative (-) terminal first. Failure to properly remove battery cables may cause a short-circuit.

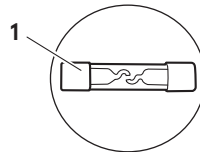
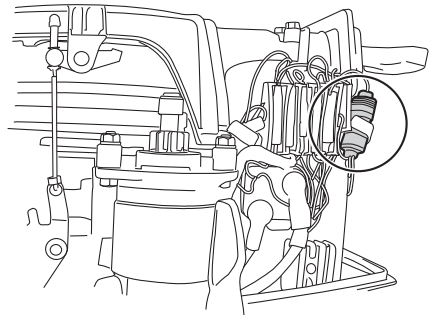
ENOW00924-0

⚠ CAUTION

Never use a fuse with a rating that exceeds the specified rating as this could cause serious damage to the electrical system.

If the fuse is blown, try to determine the cause and respond to the problem as simply replacing the fuse will likely be blown again. If you are unable to respond to the cause or the fuse continues to blow, request an authorized Tohatsu dealer for inspection.

1. Stop the engine and disconnect the battery cable from the battery negative (-) terminal.
2. Remove the top cowl.
3. Remove the fuse holder.
4. Remove the fuse for inspection. If the fuse is blown, replace it with new fuse having same specified rating.



ENOF01851-0

1. Blown fuse

ENOM01106-1

2. Periodic inspection

It is important to inspect and maintain your outboard motor regularly. Make sure to perform each service at interval specified in the chart below. Maintenance intervals are determined by the number of hours outboard motor has been used or number of months, whichever comes first.

Recode inspection performed in the INSPECTION & MAINTENANCE LOG at the back of this manual.

Item		Servicing Interval			Action	Remarks
		10 hours or 1 month	50 hours or 3 months	Every 100 hours or 6 months		
Fuel System	Carburetor *1			●	Strip, clean and adjust.	
	Fuel filter	●	●	●	Check and clean or Replace if necessary.	
	Piping/Hose	●	●	●	Check and Replace if necessary.	
	Fuel tank	●		●	Clean.	
Ignition	Spark plugs	●		●	Check gaps. Remove carbon deposits or Replace if necessary.	0.9-1.0 mm (0.035-0.039 in)
	Ignition timing *1	●		●	Adjust timing.	
Starting System	Starter motor *1			●	Check for salt deposits and battery cable condition.	
	Battery	●	●	●	Check Installation, fluid quantity, gravity.	
	Starter rope	●	●	●	Check for wear or damage.	
Lower Unit	Propeller	●	●	●	Check for bend blades, damage, wear.	
	Gear oil	●	●	●	Change or replenish-oil and check for water leaks.	
	Water pump *1		●	●	Check for wear or damage.	Replace impeller every 12 months.
Bolt and Nuts		●	●	●	Retighten.	
Sliding and Rotating Parts. Grease Nipples			●	●	Apply and pump in grease.	
Outer Equipment		●	●	●	Check for corrosion.	
Anode			●	●	Check for corrosion and deformation.	Replace if necessary.

*1: Have this handled by your dealer.

Outboards used in rental, commercial, or other under severe condition as described below in detail require more frequent inspections and maintenance than shown in this manual.

- Continuous operation at maximum engine speed
- Continuous operation at idling or trolling speed
- Operation without appropriate warm up
- Stopping without sufficient time for the engine to cool down
- Frequent sudden acceleration and sudden deceleration
- Frequent stop start operation
- Frequent shifting operation
- Frequent operation in acidic, polluted, muddy, sandy, or shallow water

Appropriate maintenance can prolong your engine life.

Consult your Tohatsu authorized dealer for suitable maintenance interval depending on operating and environmental conditions.

ENOM00093-1C

Fuel filters and fuel tank cleaning

ENOW00093-1

⚠ WARNING

Gasoline and its vapor is very flammable and can be explosive.

- Do not start this procedure while engine is operating or while engine is hot.
- Place fuel filter away from every source of ignition such as sparks or open flames.
- If gasoline is spilled, wipe up immediately and dispose according to the local regulations.
- Install fuel filter with all related parts in place, or fuel leak could occur, leading to catching fire or explosion.
- Check fuel system regularly for leakage.
- Contact authorized dealer for fuel system services. Services by unqualified person could lead to engine damage.

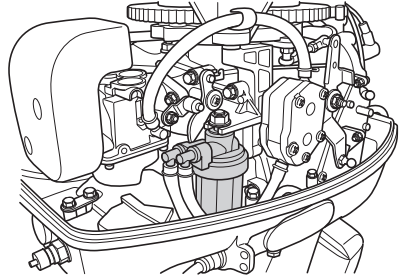
Water or dirt in the fuel filter and tank will cause engine performance problems. Check and clean the fuel filter and tank at specified intervals or after the outboard motor has been stored over three months.

Fuel filters are provided inside the fuel tank and engine.

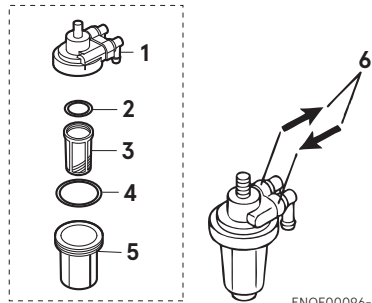
ENOM00094-0

Fuel filter (for engine)

1. Check the cup for water and debris.



ENOF01818-0



ENOF00096-B

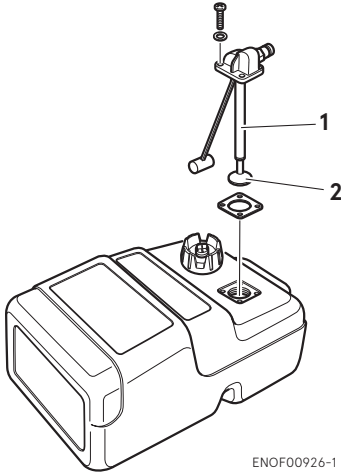
1. Body
2. O-ring
3. Filter
4. O-ring
5. Cup
6. Indication of Fuel Flow

2. If present, disconnect hoses from the fuel connector (male) and the fuel pump.
3. Remove the cup, filter and O-rings from the fuel filter body.
4. Check the wear and clogging for each part and replace if necessary.
5. Remove fuel and any water or debris from the cup, filter and hoses.
6. Reassemble all parts.

ENOM00096-C

Fuel filter (for fuel tank)

1. Remove four screws to detach the Fuel Pick-Up.
2. Clean the fuel filter and replace the gasket.
3. Reassemble all parts.



1. Fuel pick-up
2. Filter

ENOM00098-A

Gear oil replacement

ENOW00076-1

⚠ WARNING

- Be sure that the outboard motor is secured to transom or service stand, or accidental drop or fall of outboard motor could lead to severe personal injury.
- Be sure to lock the outboard motor in the tilt up position, or accidental fall of outboard motor could lead to severe personal injury.
- Do not go under outboard motor in the tilt up position and locked, or accidental fall

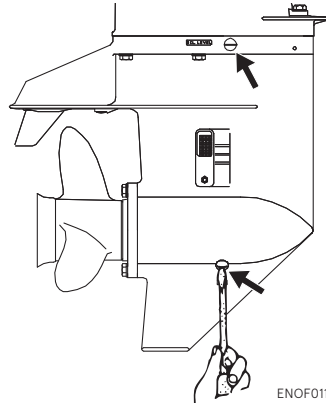
of outboard motor could lead to severe personal injury.

ENON00934-1

Note

Dispose used oil according to the local regulation. For oil disposal, we suggest take it into local service station in a sealed container. Do not throw the used oil in trash, pour it on the ground or down a drain.

1. Tilt down the outboard motor.
2. Remove the oil plugs (lower and upper), and completely drain the gear oil into a pan.

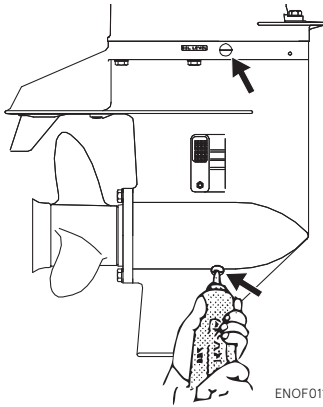


3. Insert the oil tube nozzle into the lower oil plug hole and fill with gear oil by squeezing the oil tube until oil flows out of the upper plug hole. Make sure that no bubbles are coming out of the upper plug hole and there is no air inside the gear case.

ENON00033-1

Note

Use genuine gear oil or the ones recommended (API GL-5: SAE #80 to #90).
 Required volume: approx. 360 mL (12.2 fl.Oz).



ENOF01132-0

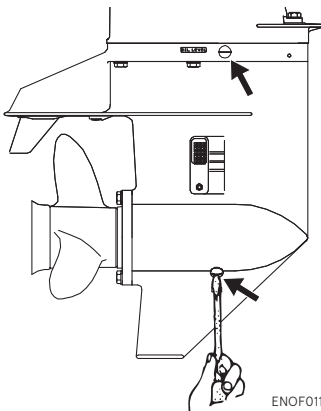
4. Install the upper oil plug, and then remove oil tube nozzle and install the lower oil plug.

Oil plug specified tightening torque
4N·m (3 ft·lb, 0.4 kgf·m)

ENOW00095-0

⚠ CAUTION

Do not reuse oil plug gasket. Always use new gasket and tighten oil plug properly to prevent entry of water into lower unit.



ENOF01133-0

ENOW00928-1

⚠ CAUTION

If gear oil is spilled, wipe off immediately and dispose according to the local regulations.

ENON00032-1

Note

If the gear oil color appears to be milky color, contact your dealer.

ENOM00086-A

Propeller replacement

ENOW00084-1

⚠ WARNING

- Do not install or remove propeller on the outboard motor with spark plug caps attached, shift in forward or reverse, main switch at other than "OFF", engine stop switch lock attached to the switch, and starter key attached, or engine could accidentally start leading to serious personal injury. Disconnecting battery cable is recommended (if equipped).
- The propeller edge is thin and sharp. Wear the gloves while installing or removing to protect your hands.

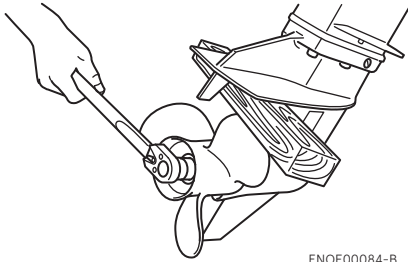
ENOW00086-1

⚠ CAUTION

- Do not install propeller without thrust holder, or propeller boss could be damaged.
- Do not reuse split pin.
- After installing split pin, spread bend both end of the pin apart to lock propeller in place.

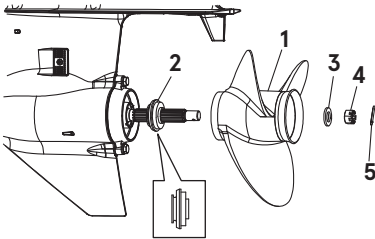
A worn-out or bent propeller will lower the outboard motor's performance, and cause engine trouble.

- Put a piece of wood block between propeller blade and anti-ventilation plate to hold propeller.



ENOF00084-B

- Remove the split pin, propeller nut and washer.
- Remove the propeller and thrust holder.
- Apply waterproof grease to the propeller shaft before installing a new propeller.
- Install the thrust holder, propeller, stopper, washer and propeller nut onto the shaft.



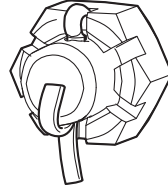
ENOF00084-C

- Propeller
- Thrust holder
- Washer
- Propeller nut
- Split pin
- Tighten the propeller nut to specified torque and align one of grooves to propeller shaft hole.

Propeller nut torque:

25 N·m (18 ft·lb, 2.5kgf·m)

- Install a new split pin into the nut hole and bend both ends of pin apart to lock propeller in place.



ENOF00084-E

ENOM00087-B

Spark plugs replacement

ENOW00087-1

⚠ WARNING

- Do not reuse spark plug, if the insulation is damaged or sparks can leak through crack, potentially leading to electric shock, explosion and/or fire.
- Do not touch spark plugs immediately after stopping engine as they will be hot and could cause severe burns if touched.

ENOW00929-0

⚠ CAUTION

Use only the recommended spark plugs. Spark plugs which have an different heat range may cause engine damage.

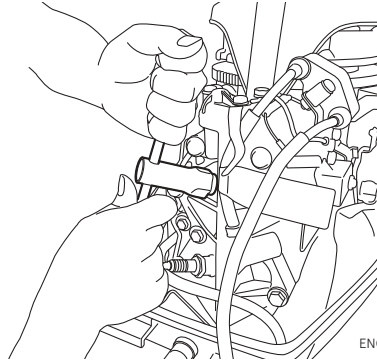
If the spark plug(s) is fouled, has carbon build up, or is worn, it should be replaced.

When reusing spark plugs, remove dirt from the electrodes and check the spark gap to specification.

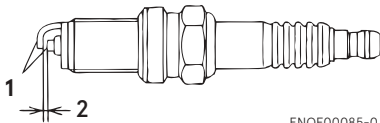
- Stop the engine.
- Remove the top cowl.
- Remove the spark plug caps.

4. Remove the spark plugs by turning it counter-clockwise, using a 21 mm (13/16 in) socket wrench and handle that is provided in tool bag.
5. Inspect the spark plug. Replace the spark plug with wear on electrodes and if the insulators are cracked or chipped.
6. Measure the spark gap with a wire type feeler gauge. The gap should be 0.9–1.0 mm (0.035–0.039 inches). If the gap is different, replace the spark plug with a new one

Use spark plug NGK B7HS-10 or BR7HS10.



ENOF01819-0



ENOF00085-0

1. Electrode
 2. Spark gap (0.9–1.0 mm, 0.035–0.039 in)
7. Install the spark plug by hand and turn it carefully to avoid cross-threading.
 8. Tighten the spark plug to the specified torque.

ENON00028-2

Note

- **Spark plug tightening torque:**
27 N·m (20 ft·lb) [2.7 kgf·m]

If a torque-wrench is not available when you are installing a new spark plug, tighten it 1/2 to 2/3 a turn past finger-tight. If reusing a spark plug, tighten 1/12 a turn past finger tight. Have the spark plug adjustment to the correct torque as soon as possible with a torque-wrench.

ENOM00088-1A

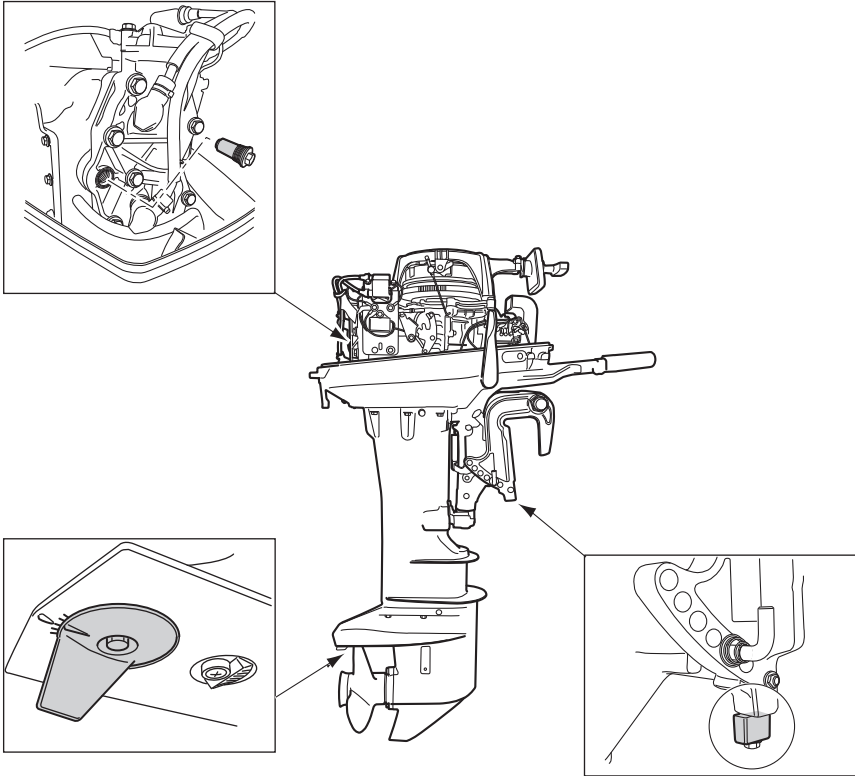
Anode replacement

A sacrificial anode protects the outboard motor from galvanic corrosion. Anode is located on the gear case, cylinder etc.. When the anode is eroded more than 1/3 of original size, replace it.

ENON00029-1

Notes

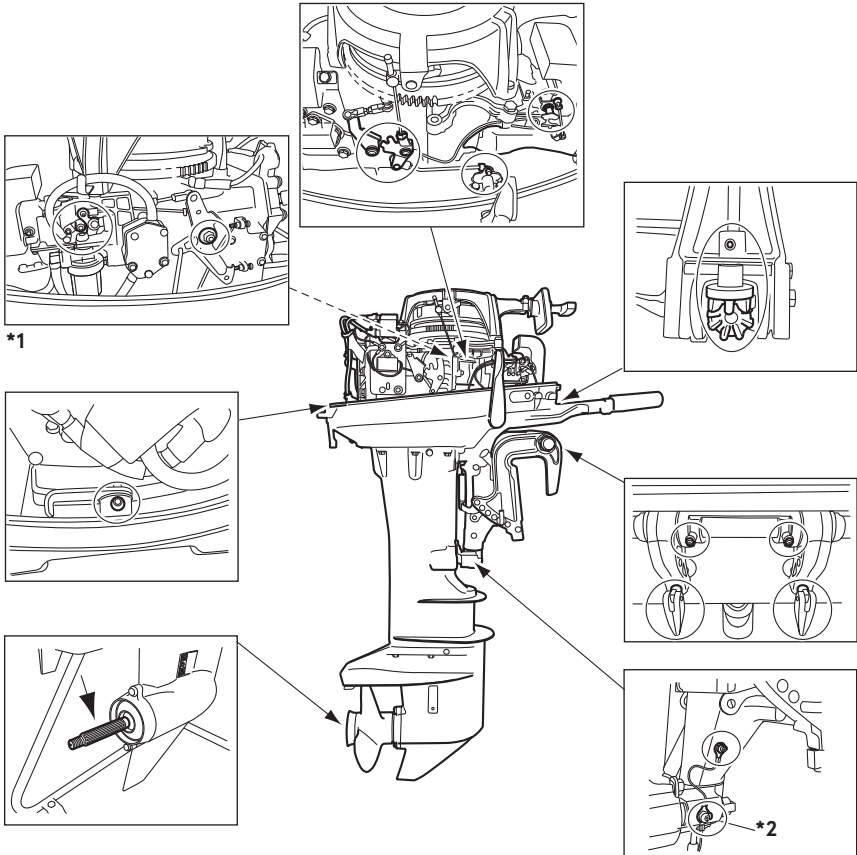
- Never grease or paint the anode.
- At each inspection, re-tighten all the anode attaching bolts. Those bolts may loosen if the anodes are corroded.



ENOM00960-0

Grease point

Apply waterproof grease to the parts shown below.



*1 : Other side (Opposite side)

*2 : Both side

ENOF01821-0

ENOM00100-1A

3. Off-season storage

ENOW00934-0

WARNING

- Be sure to disconnect fuel connector except when operating engine.
- Fuel leakage is a fire or explosion hazard, which can cause serious injury or death.

ENOW00097-0

WARNING

Be sure to use cloth to remove fuel remaining in the cowl and dispose of it in accordance with local fire prevention and environment protection regulations.

ENOW00096-0

CAUTION

Before servicing the motor for storage:

- Remove the battery cables.
- Remove the spark plug caps from the spark plugs.
- Do not run the motor out of the water.

Before you put your outboard motor in storage, it is a good opportunity to have it serviced by your dealer.

Be sure to use fuel stabilizer while running the motor before storage. (See page 67)

ENOM00101-C

Engine

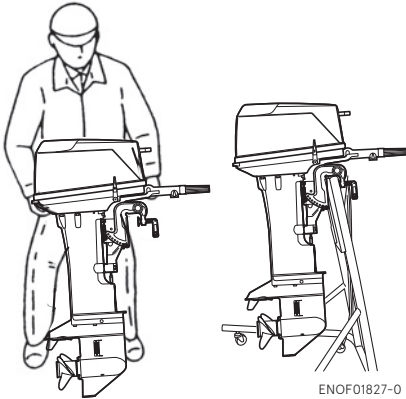
1. Wash the engine exterior and flush the cooling water system thoroughly with fresh water. Drain the water completely.
Wipe off any surface water with an oily rag.

2. Remove the fuel hose from the outboard motor.
3. Drain all fuel from the fuel hoses, fuel pump, fuel filter (See page 59) and carburetor (See page 67), and clean these parts.
Keep in mind that if residue in the carburetor for a long time, gum and varnish will develop, causing the float valve to stick, restricting the fuel flow.
4. Remove the spark plugs and put a teaspoon of engine oil or spray storage oil into the combustion chamber through the spark plug holes.
5. Pull the recoil starter several times to lubricate inside the cylinder.

ENOW00930-1

WARNING

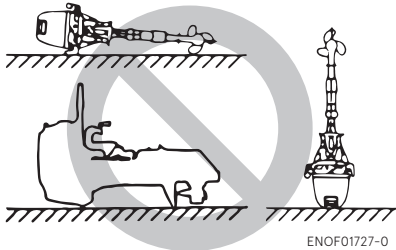
- Be sure to remove stop switch lock to prevent the spark plugs from igniting.
 - Put a cloth to spark plug hole and wipe up any spilled engine oil, when cranking the outboard motor.
6. Change the gear oil in the gear case (See page 60).
 7. Apply grease to grease point (See page 65).
 8. Stand the outboard motor up vertically in a dry area.



⚠ CAUTION

- Do not give a shock to an outboard motor during transportation.
- Do not carry or store outboard motor in any of positions described below.

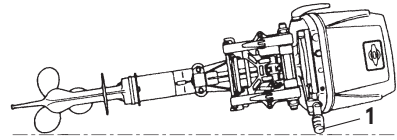
Otherwise, engine's exterior may be damaged or water may enter the cylinder through the exhaust port and cause engine problems.



ENON00021-3

Note

If the outboard motor must be laid down, be sure that fuel is completely drained, then lay the outboard motor with port side down on the cushion as shown in the drawing.



1. Handle

ENOM00950-1

Adding a fuel stabilizer

When adding a fuel stabilizer additive (commercially available), first fill the fuel tank with fresh oil and fuel. If the fuel tank is only partially filled, air in the tank may deteriorate the fuel during storage.

1. Before adding fuel stabilizer additive, drain the carburetor (See page 67).
2. Follow the instructions on the label when adding the fuel stabilizer additive.
3. After adding the additive, let the outboard motor run in water for 10 minutes to make sure any old fuel in the fuel system has been completely replaced by the fuel with additive.
4. Turn the engine OFF

ENON00891-1

Note

If your motor is used occasionally, it is recommended to use a high quality fuel stabilizer for the fuel and keep the fuel tank full to reduce condensation and evaporation.

ENOM00970-1

Fuel system draining

ENOW00028-A

⚠ WARNING

For details on handling fuel, contact an authorized dealer.

Fuel and fuel vapors are extremely flammable and can be explosive.

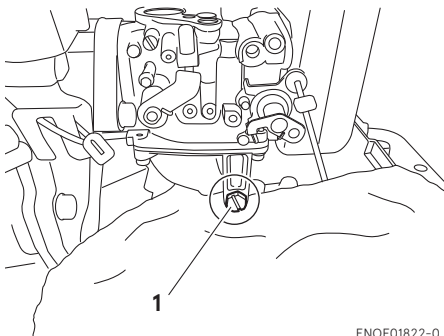
- If fuel is spilled, wipe it up immediately.
- Keep the fuel tank well away from sources of ignition, e.g. sparks or open flames
- Perform all work outdoors or in a well ventilated place.

ENOW00097-0

WARNING

Be sure to use cloth to remove fuel remaining in the cowl and dispose of it in accordance with local fire prevention and environment protection regulations.

1. Disconnect the fuel hose from the outboard motor.
2. Remove the top cowl.
3. Place an appropriate rag under the drain screw.
4. Loosen the carburetor drain screw.
5. Leave the outboard motor until all fuel has been drained.
6. When thoroughly drained, retighten the drain screw securely.
7. Check the drained fuel for the presence of contaminants. If fuel is contaminated, check the fuel filter and fuel in the fuel tank.



ENOF01822-0

1. Carburetor drain screw

ENOM00104-G

4. Pre-season check

The following steps must be taken when first using the engine after off season storage.

1. Check that the shift and throttle function properly. (Be sure to turn the propeller shaft when checking the shift function for any damage on the shift linkage.)
2. Check the electrolyte level and measure the voltage and specific gravity of the battery.

Specific Gravity at 20°C	Terminal Voltage (V)	Charge Condition
1.120	10.5	Fully discharged
1.160	11.1	1/4 charged
1.210	11.7	1/2 charged
1.250	12	3/4 charged
1.280	13.2	Fully charged

3. Check that the battery is secure and the battery cables are properly connected.
4. Fill the fuel tank with oil and fuel.
5. Connect the fuel line to the engine, and squeeze primer bulb.
6. Before starting the engine, disconnect stop switch lock and pull recoil starter approximately 10 times (Manual start model) or 3 times for 3 sec. turning the starter motor (Electric start model) in order to circulate the oil.
7. Start the engine and warm up the engine for 3 minutes in the "NEUTRAL" position.
8. Run the engine for 5 minutes at the slowest speed.
9. Run the engine for 10 minutes at half throttle. The oil shall circulate to assure optimum performance.

ENOM00105-D

5. Submerged outboard motor

ENOW00098-0

⚠ CAUTION

Do not attempt to start submerged outboard motor immediately after it is recovered, or engine could be severely damaged.

After taking your outboard motor out of the water, immediately take it to your dealer.

The following are the emergency measures to be taken for a submerged outboard motor.

1. Wash the outboard motor with fresh water to remove salt or dirt.
2. Remove the spark plugs, and completely drain the water from the engine by pulling recoil starter several times.
3. Inject a sufficient amount of engine oil through the spark plug holes.
Pull the recoil starter rope several times to circulate the oil throughout the outboard motor.

ENOM00106-1

6. Cold weather precautions

If you moor your boat in cold weather at temperatures below 0°C (32°F), water residue in water pump may freeze and may damage the pump, impeller, etc. To avoid, submerge the lower half of the outboard motor into the water.

ENOM00107-A

7. Striking underwater object

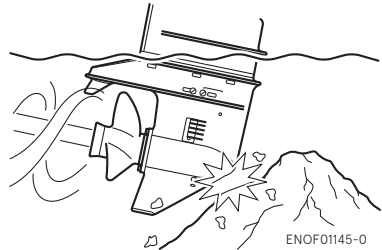
ENOW00935-0

⚠ CAUTION

Striking the sea bottom or an underwater object may severely damage the outboard motor.

Follow the procedure below and consult a dealer as soon as possible.

1. Stop the engine immediately.
2. Check the control system, gear case, boat transom etc.
3. Return to the nearest harbor slowly and carefully.
4. Consult a dealer check the outboard motor before operation again.



ENOM00121-0

8. Operation with multiple outboard motors

When operating the outboard motors in reverse at more than the lowest speed, be sure that all engines are running.

If any engine has stopped, be sure to tilt the outboard motor up and keep its propeller out of the water.

Otherwise, water could enter the engine and cause damage to it.

TROUBLESHOOTING

ENOM01109-0

If you encounter a problem, check the list below to determine the cause and to take the proper action.

An authorized dealer will always be happy to provide any assistance and information.

	Engine failing to start	Engine starts but stops immediately	Poor idling	Poor acceleration	Abnormally high engine speed	Abnormally low engine speed	Unable to reach high speed	Overheating of engine	Possible cause
FUEL SYSTEMS	●	●							Empty fuel tank
	●	●	●	●		●	●	●	Incorrect connection of fuel system
	●	●	●	●		●	●	●	Air entering fuel line
	●	●	●	●		●	●	●	Deformed or damaged fuel pipe
	●	●	●	●		●	●	●	Closed air vent on fuel tank
	●	●	●	●		●	●	●	Clogged fuel filter, fuel pump, or carburetor
			●	●		●	●	●	Use of improper engine oil
	●	●	●	●			●	●	Use of improper gasoline
		●	●	●			●	●	Excessive oil in mixture
								●	Shortage of oil in mixture
	●			●					Excessive supply of fuel
	●	●	●	●		●	●	●	Poor carburetor adjustment
●	●	●	●			●	●	Recirculation pipe broken	
ELECTRIC SYSTEMS	●	●	●	●		●	●	●	Spark plug other than specified
	●	●	●	●		●	●		Dirt, soot, etc. on spark plug
	●	●	●	●		●	●		No Spark or weak spark
	●								Short circuit of engine stop switch
	●		●	●		●	●		Incorrect adjustment of ignition timing
	●								Loose battery terminal connection, corrosion
	●								Discharged battery
	●								Main switch trouble
	●								Lock plate not fitted to stop switch
	●								Disconnection of wire or loose ground connection
●								Insufficient battery capacity, loose terminal connection, corrosion	
								EP and EF types	
								EP and EF types	

		Engine failing to start	Engine starts but stops immediately	Poor idling	Poor acceleration	Abnormally high engine speed	Abnormally low engine speed	Unable to reach high speed	Overheating of engine	Possible cause
OTHERS	●			●	●		●	●		Incorrect adjustment of throttle link
								●	●	Insufficient cooling water flow, clogged or defective pump
				●				●	●	Faulty thermostat
					●	●		●	●	Cavitation or ventilation
					●	●	●	●	●	Incorrect propeller selection
				●	●	●	●	●	●	Damaged and bent propeller
					●	●		●	●	Improper thrust rod position
					●	●	●	●	●	Unbalanced load on boat
					●	●	●	●	●	Transom too high or too low

TOOL KIT AND SPARE PARTS

ENOM01206-A

The followings are a list of the tools and spare parts provided with the motor.

	Name	Quantity	Remark	
Servicing Tools	Tool Bag	1		
	Pliers	1		
	Socket Wrench	1	10 x 13 mm	
	Socket Wrench	1	21 mm	
	Socket Wrench Handle	1		
	Screwdriver (Phillips-type and flat head)	1	Adapter-type	
Spare Parts	Rope	1		
	Spare stop switch lock	1		
	Spark Plug	1	NGK BR7HS-10	
	Split Pin	1		
Parts Packaged with Engine	Fuel Tank	1		
	Primer bulb	1 set		
	Remote Control Head Assy.	1 set		EP only
	Remote Control Fitting Assy.	1 set		EP only
	Drag Link Assy.	1 set		EP only
	Mounting Hardware			
	Bolt	2	8 x 85 mm	EP only
Nylon Locking Nut	2	8 mm	EP only	
Washer	4		EP only	

■ PROPELLER TABLE

ENOM01108-1

To ensure optimum performance, the propeller should match the boat type and its load.

Use a genuine propeller.

When selecting propeller, make sure that RPM stays in the maximum operating range of engine at wide open throttle.

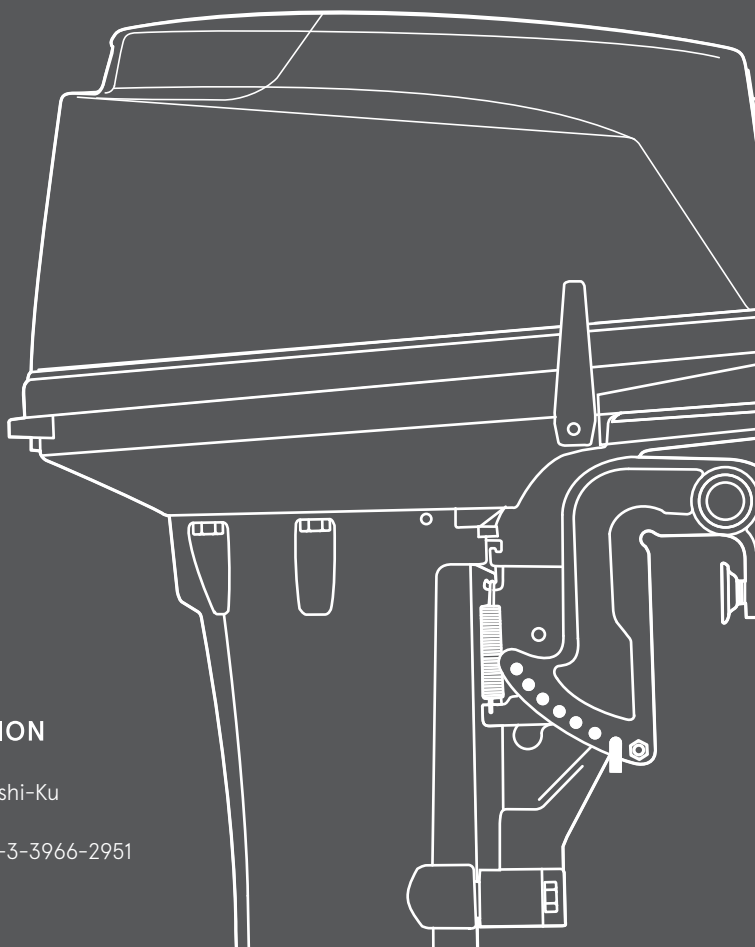
25H: 5000 to 6000 min^{-1} (rpm)

30H: 5150 to 5850 min^{-1} (rpm)

	Mark	Propeller Size (Diameter x pitch)	
		inch	mm
Heavier Load Lighter Load	8	10.2 x 8.3	260 x 210
	DS9	9.72 x 9	247 x 229
	DS10	9.72 x 10	247 x 254
	DS11	9.8 x 11	249 x 279
	DS12	9.8 x 12	249 x 305
	DS13	9.6 x 13	244 x 330
	14	9.9 x 14.2	252 x 360

OWNER'S MANUAL

M 25H
M 30H



TOHATSU CORPORATION

5-4, Azusawa 3-Chome, Itabashi-Ku
Tokyo 174-0051, Japan
Tel: +81-3-3966-3117 Fax: +81-3-3966-2951
www.tohatsu.com