

# OWNER'S MANUAL

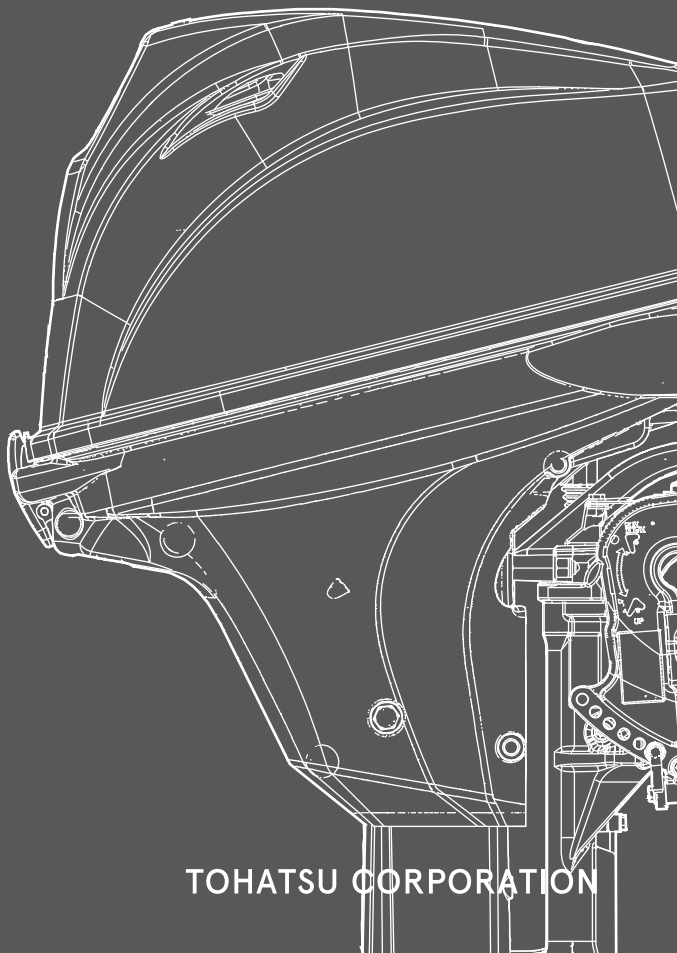


**TOHATSU**

Feel the Wind™

MFS 9.9E  
MFS 15E  
MFS 20E

OB No.003-11143-9BD1



**BACKS  
YOU  
UP™**

**TOHATSU CORPORATION**

 **WARNING:**

This product can expose you to chemicals including gasoline or LPG exhaust emissions, which are known to the State of California to cause cancer, and carbon monoxide, which is known to the State of California to cause birth defects or other reproductive harm.

For more information go to [www.p65warnings.ca.gov](http://www.p65warnings.ca.gov)

---

ENOM00001-0

 **READ THIS MANUAL BEFORE USING THE OUTBOARD MOTOR. FAILURE TO FOLLOW THE INSTRUCTIONS AND SAFETY PRECAUTIONS IN THIS MANUAL CAN RESULT IN SERIOUS INJURY OR DEATH. KEEP THIS MANUAL IN A SAFE LOCATION FOR FUTURE REFERENCE.**

Copyright © 2024 Tohatsu Corporation. All rights reserved. No part of this manual may be reproduced or transmitted in any form or by any means without the express written permission of Tohatsu Corporation.

# YOUR TOHATSU OUTBOARD MOTOR

ENOM00006-2

## **To You, Our Customer**

Congratulations on your purchase of the TOHATSU outboard motor. You are now the proud owner of an excellent outboard motor that will serve you for many years to come. This owner's manual contains important safety, operational and maintenance information.

The efficiency and longevity of your outboard motor will depend heavily on your operating methods and periodic maintenance. Failure to operate and maintain your outboard motor according to the instruction in this owner's manual may void the limited warranty, as well as reduce the efficiency and reliability of the outboard motor.

Any person operating TOHATSU outboard motor must carefully read and fully understand the entire contents of this manual prior to operation. For safety, follow all safety warnings contained within the owner's manual and the labels applied to your outboard motor. You should keep this owner's manual where accessible while operating your outboard motor. If the outboard motor is resold, make sure the manual is passed on to the next owner. In case you encounter any problems, please contact an authorized TOHATSU service shop or dealer for assistance.

Tohatsu Corporation reserves the right to change, modify, add, or remove a part or whole of the owner's manual without prior notice and incurring any obligations.

We are excited to take a part in your boating adventures and wish for your great and safe boating experience.

**TOHATSU CORPORATION**

ENOM00002-0

## OWNER REGISTRATION AND IDENTIFICATION

Upon purchasing this product, be sure that the WARRANTY CARD is correctly and completely filled out and mailed to the addressee noted there on. This WARRANTY CARD identifies you as the legal owner of the product and serves as your warranty registration.

TO THE EXTENT PERMITTED BY APPLICABLE LAW, YOUR OUTBOARD MOTOR WILL NOT BE COVERED BY THE APPLICABLE LIMITED WARRANTY, IF THIS PROCEDURE IS NOT FOLLOWED.

ENOM00003-1

## PRE-DELIVERY INSPECTION

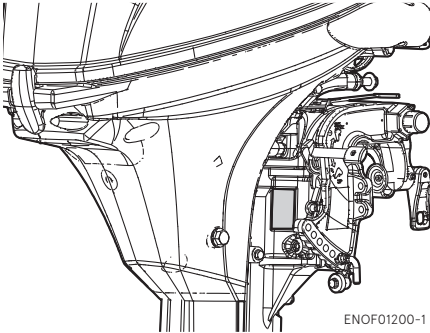
Make sure Pre-delivery inspection has been properly done by authorized TOHATSU dealer before operating your outboard motor.

ENOM00005-1

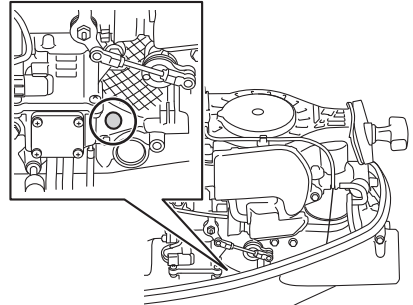
## Serial Number

Your outboard motor has a unique serial number. The serial number is identification of outboard motor and is located on the outboard motor as shown in the figures below. The serial number is required for warranty registration, filing a warranty claim as well as making technical inquiries and may be required for other occasions. Therefore, please write down the serial number and date of purchase in the space below.

### Serial Number:



ENOF01200-1



ENOF01201-2

Serial Number:

Date of purchase:

---

ENOM00007-0

**NOTICE: DANGER/WARNING/CAUTION/Note**

Before installing, operating or otherwise handling your outboard motor, be sure to thoroughly read and understand this Owner's Manual and carefully follow all of the instructions. Of particular importance is information preceded by the words "DANGER," "WARNING," "CAUTION," and "Note." Always pay special attention to such information to ensure safe operation of the outboard motor at all times.

ENOW00001-0

 **DANGER**

**Failure to observe will result in severe personal injury or death, and possibly property damage.**

---

ENOW00002-0

 **WARNING**

**Failure to observe could result in severe personal injury or death, or property damage.**

---

ENOW00003-0

 **CAUTION**

**Failure to observe could result in personal injury or property damage.**

---

ENON00001-0

**Note**

This instruction provides special information to facilitate the use or maintenance of the outboard motor or to clarify important points.

---



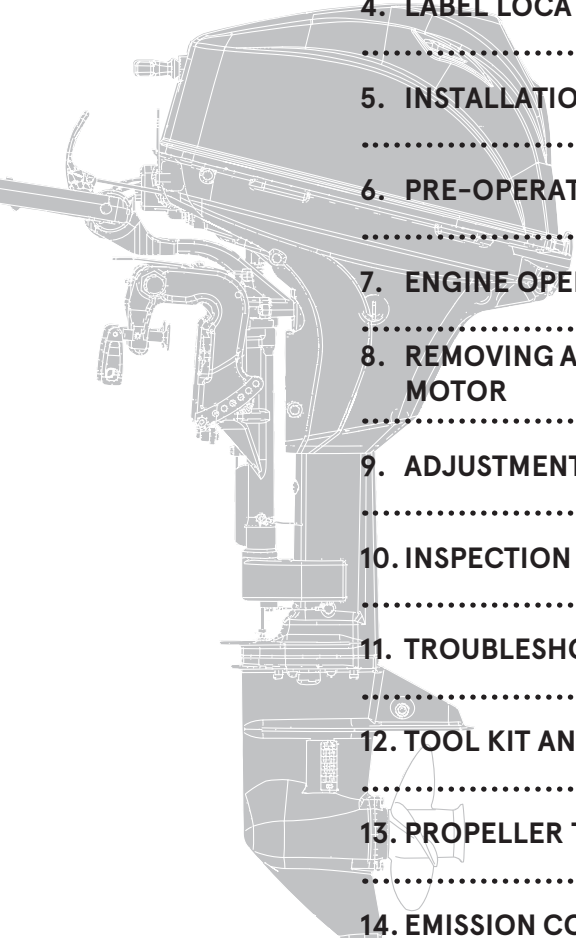
# CONTENTS

1. GENERAL SAFETY INFORMATION . . . . .	10
2. SPECIFICATIONS . . . . .	12
3. PARTS NAME . . . . .	17
4. LABEL LOCATIONS . . . . .	19
5. INSTALLATION . . . . .	23
1. Mounting the outboard motor on boat . . . . .	23
2. Battery installation . . . . .	26
6. PRE-OPERATING PREPARATIONS . . . . .	28
1. Fuel handling . . . . .	28
2. Fuel filling . . . . .	29
3. Engine oil filling . . . . .	30
4. Break-In . . . . .	32
5. Warning system . . . . .	33
7. ENGINE OPERATION . . . . .	35
Before starting . . . . .	35
1. Fuel feeding . . . . .	35
2. Starting the engine . . . . .	37
3. Warming up the engine . . . . .	42
4. Forward, reverse, and acceleration . . . . .	43
5. Stopping the engine . . . . .	45
6. Steering . . . . .	47
7. Trim angle . . . . .	47
8. Tilt up and tilt down . . . . .	49
9. Shallow water operation . . . . .	52
8. REMOVING AND CARRYING THE OUTBOARD MOTOR . . . . .	54
1. Removing the outboard motor . . . . .	54
2. Carrying the outboard motor . . . . .	54
3. Trailering . . . . .	55
9. ADJUSTMENT . . . . .	57
1. Steering friction . . . . .	57
2. Throttle grip friction . . . . .	57
3. Remote control lever friction . . . . .	57
10. INSPECTION AND MAINTENANCE . . . . .	59
1. Daily Inspection . . . . .	60
2. Periodic Inspection . . . . .	66
3. Off-season storage . . . . .	81
4. Pre-season check . . . . .	84
5. Submerged outboard motor . . . . .	84
6. Cold weather precautions . . . . .	85
7. Striking underwater object . . . . .	85
8. Auxiliary outboard motor operation . . . . .	85
11. TROUBLESHOOTING . . . . .	86

12. TOOL KIT AND SPARE PARTS . . . . .	88
13. PROPELLER TABLE . . . . .	89
14. EMISSION CONTROL SYSTEM INFORMATION . . . . .	90



# INDEX



<b>1. GENERAL SAFETY INFORMATION</b>	<b>1</b>
.....	
<b>2. SPECIFICATIONS</b>	<b>2</b>
.....	
<b>3. PARTS NAME</b>	<b>3</b>
.....	
<b>4. LABEL LOCATIONS</b>	<b>4</b>
.....	
<b>5. INSTALLATION</b>	<b>5</b>
.....	
<b>6. PRE-OPERATING PREPARATIONS</b>	<b>6</b>
.....	
<b>7. ENGINE OPERATION</b>	<b>7</b>
.....	
<b>8. REMOVING AND CARRYING THE OUTBOARD MOTOR</b>	<b>8</b>
.....	
<b>9. ADJUSTMENT</b>	<b>9</b>
.....	
<b>10. INSPECTION AND MAINTENANCE</b>	<b>10</b>
.....	
<b>11. TROUBLESHOOTING</b>	<b>11</b>
.....	
<b>12. TOOL KIT AND SPARE PARTS</b>	<b>12</b>
.....	
<b>13. PROPELLER TABLE</b>	<b>13</b>
.....	
<b>14. EMISSION CONTROL SYSTEM INFORMATION</b>	<b>14</b>

# GENERAL SAFETY INFORMATION

## 1

ENOM00009-1

### SAFE OPERATION OF BOAT

As the operator/driver of a boat, you are responsible for the safety of those aboard and those in other boats around yours, and for following local boating regulations. You should be thoroughly knowledgeable on how to correctly operate the boat, outboard motor, and accessories. To learn about the correct operation and maintenance of the outboard motor, please read through this manual carefully.

It is very difficult for a person in the water to take evasive action should he or she see a power boat heading in his/her direction, even at a slow speed.

Therefore, when your boat is in the immediate vicinity of people in the water, the outboard motor must be shifted to neutral and shut off.

ENOW00005-0

### WARNING

**SERIOUS INJURY IS LIKELY IF A PERSON IN THE WATER MAKES CONTACT WITH A MOVING BOAT, GEAR HOUSING, PROPELLER, OR ANY SOLID DEVICE RIGIDLY ATTACHED TO A BOAT OR GEAR HOUSING.**

ENOM00247-1

### STOP SWITCH LANYARD

The engine can be stopped by pulling out the stop switch lock from the stop switch. The stop switch lanyard is the coiled red cord with the stop switch lock on one end and a metal clip on the other end. With attaching the stop switch lanyard to the operator's body part or operator's personal flotation device (PFD), the engine will stop when the stop switch lanyard is being stretched and pulled out the lock from the switch if the operator accidentally falls overboard or leaves from operator's position. This function may prevent losing control of the boat and minimize or prevent risk of collision with other boats, people and other objects. It is operator's responsibility to use the stop switch lanyard.

ENOW00004-1

### WARNING

**Accidental activation of the Stop Switch (such as the tether being pulled out in heavy seas) could cause passengers to lose their balance and even fall overboard, or it could result in loss of power in heavy seas, strong currents, or high winds. Loss of control while mooring is another potential hazard.**

**To minimize accidental activation of the Stop Switch, the 500 mm (20 inch.) stop switch lanyard is coiled and can be extended to a full 1300 mm (51 inch.).**

ENOM00800-A

### PERSONAL FLOTATION DEVICE

As the operator/driver and passenger of a boat, you are responsible to wear a PFD (Personal Flotation Device) while on the boat.

ENOM00010-1

## **SERVICING, REPLACEMENT PARTS & LUBRICANTS**

We recommend that only an authorized service shop perform service or maintenance on your outboard motor. Be sure to use genuine parts, genuine lubricants, or recommended lubricants. Be aware that the installation and use of parts not approved by Tohatsu Corporation will void warranty and may lead to unsafe operating conditions.

ENOM00011-1

## **MAINTENANCE**

As the owner of the outboard motor, you should be acquainted with correct maintenance procedures following by maintenance section of this manual (See page 59). It is the operator's responsibility to perform all safety inspections, proper lubrication and to follow all maintenance instructions for safe operation. You should take the engine to an authorized dealer or service shop for periodic inspection at the prescribed intervals. Correct periodic maintenance and proper care of outboard motor will reduce the chance of problems, limit overall operating expenses and contribute to longevity of your outboard motor.

### **Carbon Monoxide Poisoning Hazard**

Exhaust gas contains carbon monoxide, a colorless and odorless gas which can be fatal if inhaled for any length of time.

Never start or operate the engine indoors or in any space which is not well ventilated.

### **Gasoline**

Gasoline and its vapors are very flammable and can be explosive. Use extreme care when handling gasoline. You should be thoroughly knowledgeable on how to correctly handle gasoline by reading this manual.

# SPECIFICATIONS

ENOM00810-A

## MODEL FEATURE

Model		F9.9E					F15E			F20E				
Type		MF	EF	EFT	EP	EPT	MF	EF	EPT	MF	EF	EFT	EP	EPT
Transom heights	S	•	•				•	•	•	•	•	•	•	•
	L	•	•	•	•	•	•	•	•	•	•	•	•	•
	UL		•	•		•								•
Tiller Handle		•	•	•			•	•		•	•	•		
Remote Control					•	•			•				•	•
Power Tilt				•		•			•			•		•
Manual Tilt		•	•		•		•	•		•	•		•	

ENOM00811-A

## MODEL NAME EXAMPLE

F 20E EPTL

F	20	E	E	P	T	L
Model description	Horse power	Product generation	Starter system	Steering system	Tilt system	Shaft length
F= Four stroke	-	A and up	E= Electrical start M= Manual start	P= Remote Control F= Tiller handle	T= Power tilt G= Gas assist Blank= Manual tilt	S= Short 15 in L= Long 20 in UL= Ultra long 25 in

ENOM00301-0

**MF, EF, EFT**

2

Item		Model	MFS 9.9/15/20E		
			MF	EF	EFT
Overall Length	mm (in)	1038 (40.9)			
Overall Width	mm (in)	343 (13.5)		339 (13.3)	
Overall Height	mm (in)	S : 1116 (43.9) L : 1258 (49.5) UL : 1386 (54.5)			
Transom Height	mm (in)	S : 413 (16.3) L : 562 (22.1) UL : 689(27.1)			
Weight*1	S kg (lb)	43.0 (95)	47.0 (104)	52.5 (116)	
	L kg (lb)	44.0 (97)	48.0 (106)	53.5 (118)	
	UL kg (lb)	45.5 (100)	—	55.0 (121)	
Engine Type		4 stroke			
Number of Cylinder		2			
Piston Displacement	cm <sup>3</sup> (cu.in.)	333 (20.32)			
Bore x Stroke	mm (in)	61 x 57 (2.40 x 2.24)			
Max. Output	kW (PS)	7.3 (9.9) 11.0 (15) 14.7 (20)			
Max. Operating Range	min <sup>-1</sup> (rpm)	5400 - 6100			
Idle Speed	min <sup>-1</sup> (rpm)	950			
Exhaust System		Through-hub exhaust			
Lubrication System		Wet sump (Trochoid pump)			
Cooling System		Water cooling (with thermostat)			
Starting System		Manual starter	Electric starter motor *2		
Ignition System		Flywheel Magneto CD ignition			
Alternator		12V - 12A			
Steering Angle	Degree	90			
Trim Angle*3	Degree	-8 - 12		-8 - 8	
Trim Position		6		5	
Tilt Up Angle*3	Degree	64		63	
Gear Shift		Dog clutch (F-N-R)			
Gear Reduction Ratio		2.15 (28:13)			
Emission Control System		MFI (Multiport Fuel Injection)			
Operator Sound Pressure (ICOMIA 39/94 Rev.1) dB (A)		84.2			
Hand Vibration Level (ICOMIA 38/94 Rev.1) m/s <sup>2</sup>		2.5			

Remark: Specifications subject to change without notice.

\*1: With propeller, with battery cable.

\*2: With Manual Start.

\*3: Transom angle is at -12°

Tohatsu outboard is power rated in accordance with ISO8665 (propeller shaft output).

## Service data

Item		Model	MFS 9.9/15/20E		
			MF	EF	EFT
Fuel			Unleaded Regular Gasoline : R+M/2: 87 or higher RON: 91 or higher		
Fuel Tank Capacity		L (US gal)	12 (3.17) Separate		
Engine Oil		Grade	API: SH, SJ, SL SAE: 10W-30, 10W-40		
		L (US/Imp.oz)	1.0 (33.8/35.2) without oil filter replacement		
			1.2 (40.6/42.2) with oil filter replacement		
Gear Oil		Grade	API:GL-5, SAE:80-90		
		mL (US/Imp.oz)	460 (15.6/16.2)		
PT Fluid			–	ATF (Automatic Transmission Fluid) Dexron III	
Battery (minimum requirements)			-	36Ah/5HR, 40Ah/20HR, 330CCA	
Spark Plug			NGK DCPR6E		
Spark Plug Gap		mm (in)	0.8-0.9 (0.031-0.035)		
Intake Valve Clearance		mm (in)	0.13-0.17 (0.0051-0.0067)		
Exhaust Valve Clearance		mm (in)	0.18-0.22 (0.0071-0.0087)		

## Tightening torque

Engine Oil Drain Bolt	24N · m (17 ft · lb, 2.4 kgf · m)
Engine Oil Filter	18N · m (13 ft · lb, 1.8 kgf · m)
Gear Oil Plug	4N · m (3 ft · lb, 0.4 kgf · m)
Propeller Nut	12N · m (9 ft · lb, 1.2 kgf · m)
Spark Plug	18N · m (13 ft · lb, 1.8 kgf · m)
PTT Manual Relief Valve	2N · m (1.5 ft · lb, 0.2 kgf · m)

ENOM00302-0

**EP, EPT**

2

Item	Model	MFS 9.9/15/20E	
		EP	EPT
Overall Length	mm (in)	629 (24.7)	
Overall Width	mm (in)	343 (13.5)	339 (13.3)
Overall Height	mm (in)	S : 1116 (43.9) L : 1258 (49.5) UL : 1386 (54.5)	
Transom Height	mm (in)	S : 413 (16.3) L : 562 (22.1) UL : 689(27.1)	
Weight*1	S kg (lb)	—	—
	L kg (lb)	47.0 (104)	52.5 (116)
Engine Type		4 stroke	
Number of Cylinder		2	
Piston Displacement	cm <sup>3</sup> (cu.in.)	333 (20.32)	
Bore x Stroke	mm (in)	61 x 57 (2.40 x 2.24)	
Max. Output	kW (PS)	7.3 (9.9) 11.0 (15) 14.7 (20)	
Max. Operating Range	min <sup>-1</sup> (rpm)	5400 - 6100	
Idle Speed	min <sup>-1</sup> (rpm)	950	
Exhaust System		Through-hub exhaust	
Lubrication System		Wet sump (Trochoid pump)	
Cooling System		Water cooling (with thermostat)	
Starting System		Electric starter motor *2	
Ignition System		Flywheel Magneto CD ignition	
Alternator		12V - 12A	
Steering Angle	Degree	90	
Trim Angle*3	Degree	-8 - 12	-8 - 8
Trim Position		6	5
Tilt Up Angle*3	Degree	64	63
Gear Shift		Dog clutch (F-N-R)	
Gear Reduction Ratio		2.15 (28:13)	
Emission Control System		MFI (Multiport Fuel Injection)	
Operator Sound Pressure (ICOMIA 39/94 Rev.1) dB (A)		84.2	
Hand Vibration Level (ICOMIA 38/94 Rev.1) m/s <sup>2</sup>		—	

Remark: Specifications subject to change without notice.

\*1: With propeller, with battery cable.

\*2: With Manual Start.

\*3: Transom angle is at -12°

Tohatsu outboard is power rated in accordance with ISO8665 (propeller shaft output).

## Service data

Item		Model	MFS 9.9/15/20E	
			EP	EPT
Fuel			Unleaded Regular Gasoline : R+M/2: 87 or higher RON: 91 or higher	
Fuel Tank Capacity		L (US gal)	12 (3.17) Separate	
Engine Oil		Grade	API: SH, SJ, SL SAE: 10W-30, 10W-40	
		L (US/Imp.oz)	1.0 (33.8/35.2) without oil filter replacement	
			1.2 (40.6/42.2) with oil filter replacement	
Gear Oil		Grade	API:GL-5, SAE:80-90	
		mL (US/Imp.oz)	460 (15.6/16.2)	
PT Fluid			–	ATF (Automatic Transmission Fluid) Dexron III
Battery (minimum requirements)			–	36Ah/5HR, 40Ah/20HR, 330CCA
Spark Plug			NGK DCPR6E	
Spark Plug Gap		mm (in)	0.8-0.9 (0.031-0.035)	
Intake Valve Clearance		mm (in)	0.13-0.17 (0.0051-0.0067)	
Exhaust Valve Clearance		mm (in)	0.18-0.22 (0.0071-0.0087)	

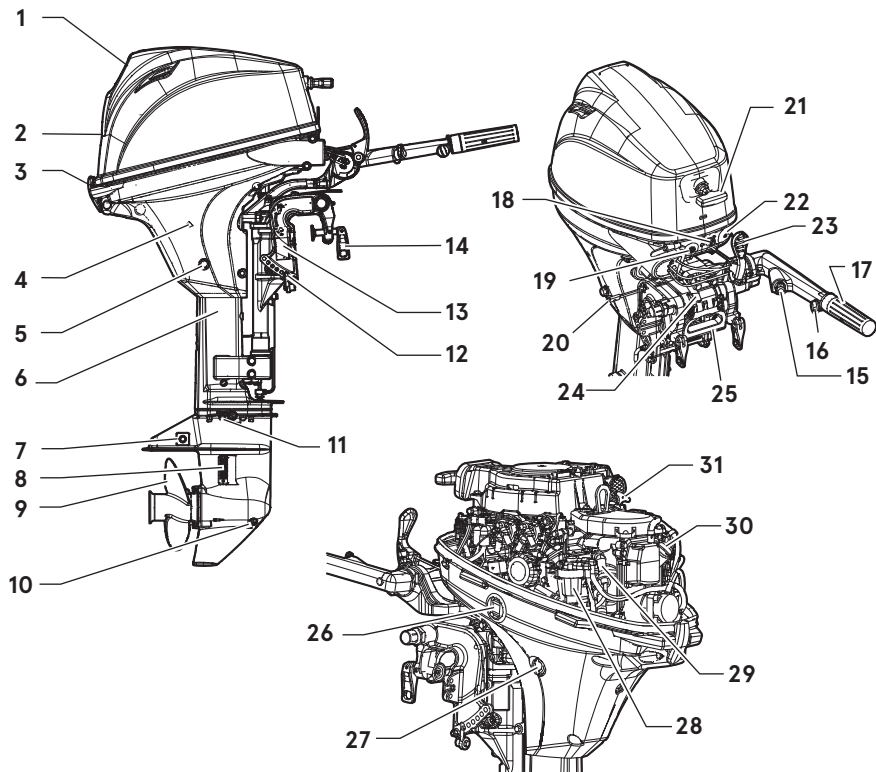
## Tightening torque

Engine Oil Drain Bolt	24N · m (17 ft · lb, 2.4 kgf · m)
Engine Oil Filter	18N · m (13 ft · lb, 1.8 kgf · m)
Gear Oil Plug	4N · m (3 ft · lb, 0.4 kgf · m)
Propeller Nut	12N · m (9 ft · lb, 1.2 kgf · m)
Spark Plug	18N · m (13 ft · lb, 1.8 kgf · m)
PTT Manual Relief Valve	2N · m (1.5 ft · lb, 0.2 kgf · m)



# PARTS NAME

ENOM00303-0

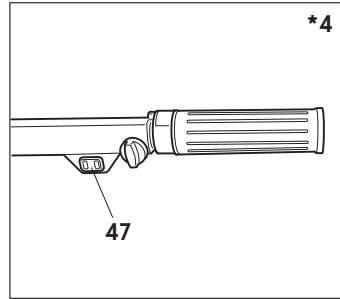
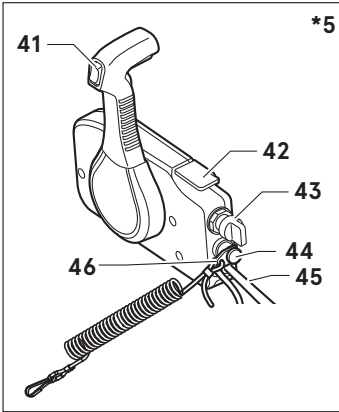
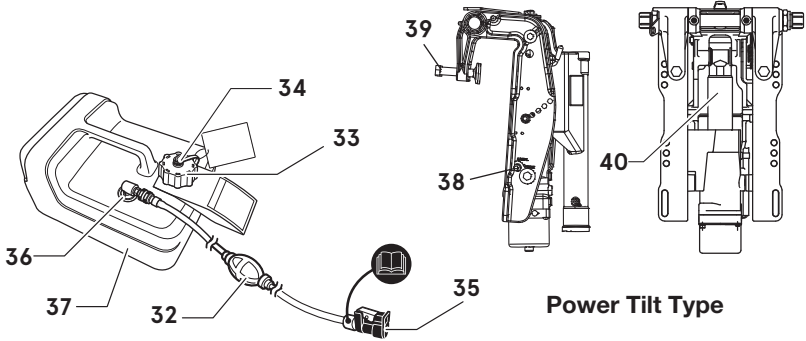
**MF, EF, EP, EFT, EPT**


- |                             |  |                                      |
|-----------------------------|--|--------------------------------------|
| 1 Tilt Handle               | 13 Clamp Bracket                         | 25 Carrying Handle                   |
| 2 Top Cowl                  | 14 Clamp Screw                           | 26 Power Tilt Switch (EPT type only) |
| 3 Bottom Cowl               | 15 Stop Switch <sup>*1</sup>             | 27 Flushing Connector Cap            |
| 4 Cooling Water Check Port  | 16 Throttle Friction Screw <sup>*1</sup> | 28 Fuel Filter                       |
| 5 Oil Drain Bolt            | 17 Throttle Grip <sup>*1</sup>           | 29 Spark Plug                        |
| 6 Drive Shaft Housing       | 18 Warning Lamp                          | 30 Oil Filler Cap                    |
| 7 Anode                     | 19 Starter Switch <sup>*2</sup>          | 31 Oil Level Gauge                   |
| 8 Water Inlet               | 20 Reverse Lock Lever                    | *1: Tiller handle type only.         |
| 9 Propeller                 | 21 Starter Handle                        | *2: Electrical starter type only.    |
| 10 Oil Plug (Lower) (Fill)  | 22 Fuel Connector                        |                                      |
| 11 Oil Plug (Upper) (Level) | 23 Shift Lever <sup>*1</sup>             |                                      |
| 12 Thrust Rod               | 24 Steering Friction Lever               |                                      |

ENOF01202-1

**MF, EF, EP, EFT, EPT**

**3**



ENOF01203-A3

- 32** Primer Bulb
- 33** Fuel Tank Cap
- 34** Air Vent Screw
- 35** Fuel Connector
- 36** Fuel Pick up Elbow
- 37** Fuel Tank
- 38** Manual Release Valve <sup>\*3</sup>
- 39** Clamp Screw <sup>\*4</sup>
- 40** Power Tilt <sup>\*3</sup>
- 41** Power Tilt Switch <sup>\*5</sup>
- 42** Remote Control Box <sup>\*5</sup>
- 43** Main Switch <sup>\*5</sup>
- 44** Stop Switch <sup>\*5</sup>
- 45** Cord Assembly <sup>\*5</sup>
- 46** Engine Stop Switch Cord <sup>\*5</sup>
- 47** Power Tilt Switch

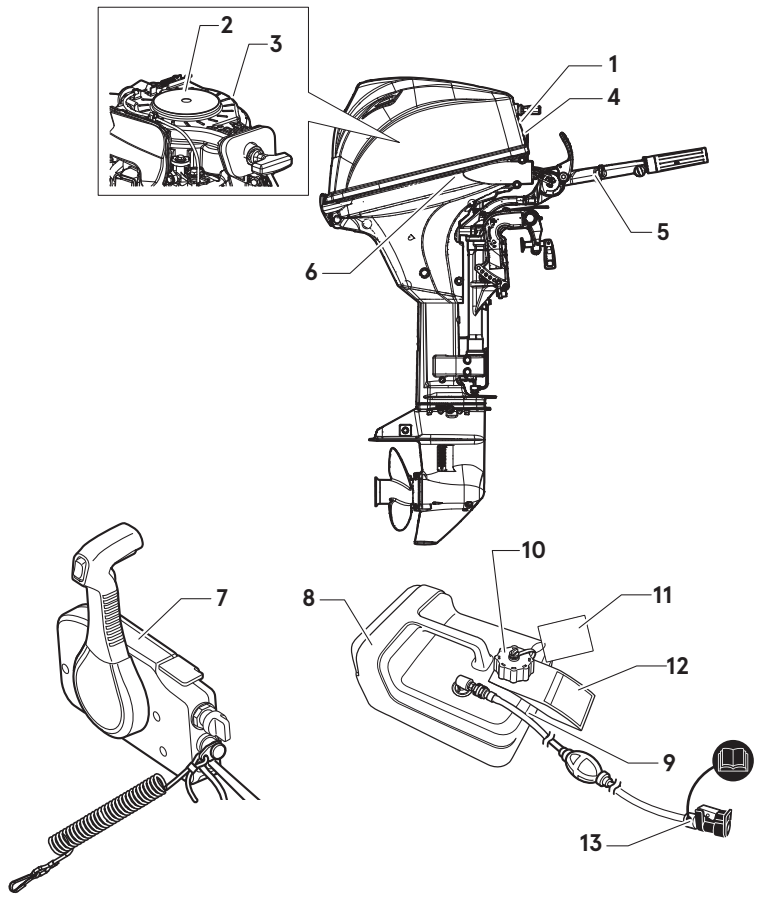
<sup>\*3</sup>: Power tilt type only.  
<sup>\*4</sup>: Power tilt, tiller handle type only.  
<sup>\*5</sup>: Remote control type only.

# ■ LABEL LOCATIONS

ENOM00019-A

## Warning label locations

4



1, 2-4. Read owner's manual.



3WL-72180-0

2-1. Hot surface.

2-2. Hazard caused by rotating parts.

2-3. Electrical shock hazard.



ENOF00131-B

5. Engine stop switch (See page 39, 46).

6. When laying down the out board motor, be sure this decal is facing up.



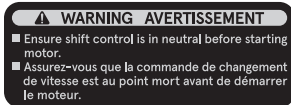
3H6-67572-1

4



3NV-72181-1

3. Warning regarding emergency starting (See page 40).



3UR-72187-1

4. Warning lamp (See page 33).



ENOF00130-0

For RC model

7. Engine stop switch warning.



ENOF00008-1

8. Warning regarding gasoline (See page 29).



REMOVE FROM BOAT FOR FILLING

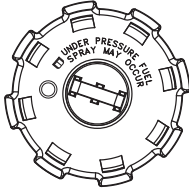
ENOF00005-U

9. Warning regarding gasoline (See page 29).



ENOF00005-L

10. Warning regarding fuel tank cap (See page 29).



ENOF00012-A

11. Warning tag regarding combination of fuel tank and primer bulb ass'y (See page 35).

**WARNING**

This fuel tank & cap meets EPA/CARB low permeation regulations. Low permeation fuel tanks remain fully sealed (pressurized) to limit the amount of evaporative emissions. This tank requires a Fuel Demand Valve (FDV) or a New style fuel connector. The FDV and fuel connector that has a sealing mechanism prevents pressurized fuel spillage when the fuel connector is connected to the engine.

Only use a primer bulb/hose assembly that has a Fuel Demand Valve installed in the fuel hose or a sealing mechanism in the fuel connector as shown below.

**With sealing mechanism**  
For TL9i models

**New style fuel connector (With sealing mechanism)**  
For 4 stroke models

**DO NOT** use a primer bulb/hose assembly that does not contain a Fuel Demand Valve or a sealing mechanism as shown below: otherwise fuel spillage may occur when the connector is connected to the engine.

**Without sealing mechanism  
- DO NOT Use !**  
For 4 stroke models

**DO NOT** connect fuel connector except when operating engine. Fuel leakage is a fire or explosion hazard, which can cause serious injury or death.

PW09537

ENOF00005-T

12. Warning tag regarding instructions of the fuel tank cap (See page 29).

**STOP**

**WARNING - CONTACTS MAY BE UNDER PRESSURE**  
Fuel tank & cap meet EPA/CARB low permeation regulations. Low permeation fuel tanks remain fully sealed (pressurized) to limit the amount of evaporative emissions. This tank requires a Fuel Demand Valve (FDV) or a New style fuel connector. The FDV and fuel connector that has a sealing mechanism prevents pressurized fuel spillage when the fuel connector is connected to the engine.

1. Do not touch the fuel tank & cap when the engine is running.
2. Do not touch the fuel tank & cap when the engine is stopped.
3. Do not touch the fuel tank & cap when the engine is stopped.
4. Do not touch the fuel tank & cap when the engine is stopped.

© 2014 Honda Motor Co., Ltd. All rights reserved.   
 HONDA MOTOR CO., LTD. 1-1-1, YOKOHAMA, CANTON, OHIO, U.S.A.   
 HONDA MOTOR CO., LTD. 1-1-1, YOKOHAMA, CANTON, OHIO, U.S.A.   
 HONDA MOTOR CO., LTD. 1-1-1, YOKOHAMA, CANTON, OHIO, U.S.A.   
 HONDA MOTOR CO., LTD. 1-1-1, YOKOHAMA, CANTON, OHIO, U.S.A.

ENOF00011-0

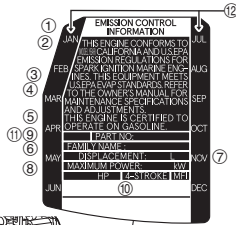
13. Read owner's manual (See page 29).



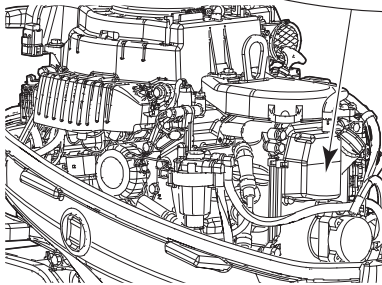
ENOF00005-J

ENOM00019-A

## ECI (Emission Control Information) label locations



- ① EMISSION CONTROL INFORMATION
- ② THIS ENGINE CONFORMS TO (MODEL YEAR) CALIFORNIA AND U.S. EPA EMISSION REGULATIONS FOR SPARK IGNITION MARINE ENGINES.
- ③ THIS EQUIPMENT MEETS U.S. EPA EVAP STANDARDS.
- ④ REFER TO THE OWNER'S MANUAL FOR MAINTENANCE SPECIFICATIONS AND ADJUSTMENTS.
- ⑤ THIS ENGINE IS CERTIFIED TO OPERATE ON GASOLINE.
- ⑥ FAMILY NAME
- ⑦ DISPLACEMENT
- ⑧ MAXIMUM POWER
- ⑨ PART No.
- ⑩ TRADE MARK AND NAME OF MANUFACTURER
- ⑪ MODEL YEAR
- ⑫ PRODUCTION MONTH



ENOF01237-A2

### EPA Emissions Regulations

Outboards sold by Tohatsu America Corporation in the United States are certified to the United States Environmental Protection Agency as conforming to the requirements of the regulations for the control of air pollution from new outboard engines. This certification is contingent on certain adjustments being set to factory standards. For this reason, the factory procedure for servicing the product must be strictly followed and, wherever practicable, returned to the original intent of the design.

**Maintenance, replacement, or repair of the emission control devices and systems may be performed by any marine engine repair establishment or individual.**

The Emission Control Information label was affixed to engines as permanent evidence of EPA certification.

### Emissions Warranty Coverage

#### WARRANTY INFORMATION

#### Four Stroke Outboard Limited Warranty

Canadian and California residents who have purchased an outboard motor from a Canadian and California dealer receive additional warranty coverage for specific emissions related components. To fully understand your warranty coverage please read our standard warranty statement and the Emission Warranty Statement provided by your dealer.

# INSTALLATION

ENOM00024-C

## 1. Mounting the outboard motor on boat

ENOW00006-1B

### WARNING

To avoid personal injury or damage of equipment, make sure the allowable lifting capacity of the hoist is at least twice the weight of the outboard motor.

Do not allow the lift hook or chain from the hoist to come in contact with any part of the outboard motor during lifting.

ENOW00006-1

### WARNING

Most boats are rated and certified for their maximum allowable horsepower, as shown on the boat's certification plate. Do not equip your boat with an outboard motor that exceeds this limit. If in doubt, contact your dealer.

Do not operate the outboard motor until it has been securely mounted on the boat in accordance with the instructions below.

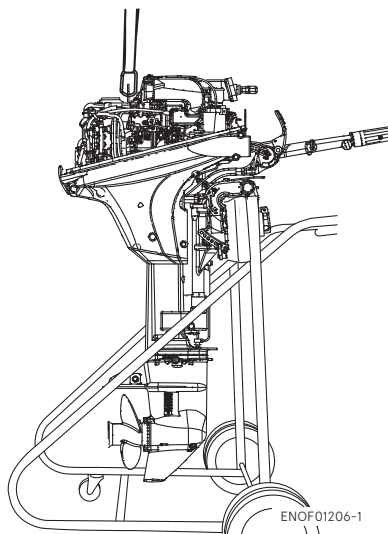
ENOW00009-2A

### WARNING

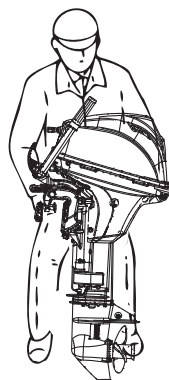
- Mounting the outboard motor without following this manual can lead to unsafe conditions such as poor maneuverability, lack of control or fire.
- Loose clamp screws and/or mounting hardware can lead to the release or displacement of the outboard motor, possibly resulting in loss of control and/or serious personal injury. Be sure that fasteners are tightened to the specified torque. Check the fasteners for tightness before operating your outboard.
- Be sure to use outboard mounting hardware included in the outboard motor

package or their equivalents in terms of size, material, quality and strength.

Mounting outboard motor must be performed by trained service person(s) in well-equipped place where lift or hoist can be used.



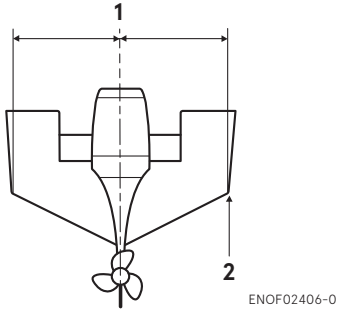
Keep the outboard motor in a vertical position when mounting.



ENOM00025-0

### Mounting position

Place the outboard motor in the center of the boat's transom.



ENOF02406-0

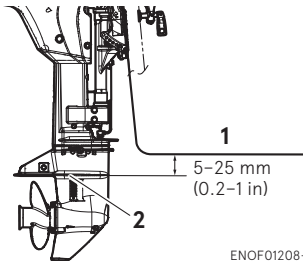
1. Center of boat
2. Chine

ENOM00026-0

### Transom matching

Be sure that the anti ventilation plate of the outboard motor is 5–25 mm (0.2–1 in) below the bottom of hull.

If the above condition cannot be met due to the shape of the bottom of your boat, please consult your authorized dealer.



ENOF01208-1

1. Bottom of hull
2. Anti ventilation plate

ENOW00007-1

## CAUTION

- Before running test, check the boat with maximum loading capacity. Overloading or incorrect weight distribution of the weight may result in boat to lose control,

even swamping or capsizing. Make sure that there is enough distance between bottom cowl and water surface to prevent water from entering the engine.

- Make sure to mount the engine in correct position. If outboard motor is mounted incorrectly, water may intrude the engine from openings of the bottom cowl while cruising. Exposing the engine to such condition may result in severe damage to the engine.

ENOM00830-A

### Mounting the outboard motor

#### MF/EF/EP/EFT type

1. Set the outboard motor to appropriate position.
2. Tighten the clamp screws by turning their handles.
3. Secure the clamp brackets to the transom board using bolts, flat washers and nylon locking nuts.
4. Secure the outboard motor to the boat with a rope to prevent accidental loss of the outboard motor overboard.

ENON00930-1

#### Note

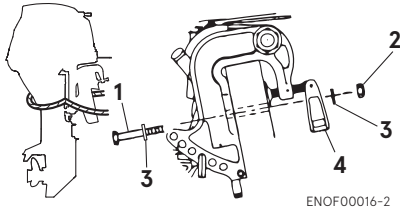
- Do not use tools to tighten clamp screws. Over tightening could result in damage to the clamp screws and clamp brackets.
- Do not reuse Nylon locking nut.

ENON00931-0

#### Note

- Mounting hardware is included in the standard accessories for certain engine type only. Please refer 12 "ACCESSORIES KIT".
- A rope is not included in the standard accessories.





ENOF00016-2

- 1. Bolt (8 × 85)
- 2. Nylon locking nut
- 3. Washer
- 4. Clamp screw

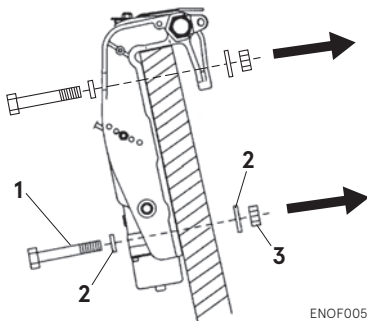
ENOW00945-0

**⚠ CAUTION**

- Please inspect whether there is a loosening of the clamp screw or mounting bolts before departure.
- Loosening may cause a dangerous situation, such as loss of control.

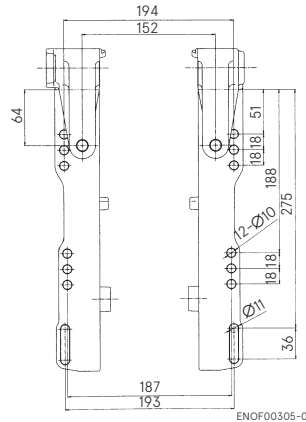
**EPT type**

1. To attach the outboard motor to the boat, use the bolts to secure the outboard motor brackets on transom board.



ENOF00507-2

- 1. Bolt (8 × 85)
- 2. Washer
- 3. Nylon locking nut



ENOF00305-0

ENOW00008-2A

**⚠ CAUTION**

**Tighten the bolts securely, otherwise the outboard motor could fall down.**

ENON00003-2

**Notes**

1. Apply sealing material, such as silicone sealed between the bolts and the transom board holes before tightening the bolts.
  2. For EP / EFT type, drill the holes in transom board only at left and right of lower side of clamp bracket, and attach outboard motor with supplied bolts.  
For EPT type, drill the holes in transom board at 4 points up and down, right and left, and attach outboard motor with supplied bolts.
- Do not reuse Nylon locking nut.

ENOM00029-A

## 2. Battery installation

ENOW00012-1

### WARNING

Battery electrolyte contains sulfuric acid and is hazardous, causes a burn if come in contact with your skin, and poisonous if swallowed.

Keep battery and electrolyte away from reach of children.

When handling the battery, be sure to:

- Read all warnings shown on the battery case.
- Prevent electrolyte from coming in contact with any part of your body. Contact can cause serious burn or, if come in contact with your eye, loss of sight. Use safety glasses and rubber gloves.

In case you came in contact with battery electrolyte:

- For skin, flush thoroughly with water.
- For eye, flush thoroughly with water, and then seek immediate medical treatment.

In case battery electrolyte is swallowed:

- Seek immediate medical treatment.

ENOW00013-B

### WARNING

Battery generates explosive hydrogen gas. Be sure to:

- Charge the battery in a well-ventilated place.
- Place the battery away from any source of fire, sparks and open flames such as burners or welding equipment.
- Do not smoke near the battery.
- Do not charge the battery when the electrolyte level is low. Otherwise, the battery will be damaged and may cause malfunction.

ENOW00014-0

### CAUTION

- Make sure that the battery leads do not get stuck between the outboard motor and boat when turning, etc.
- The starter motor may fail to operate if the leads are incorrectly connected.
- Be sure to correctly connect the (+) and (-) leads. If not, the charging system will be damaged.
- Do not disconnect the battery leads from battery while the engine is operating, the electrical parts could be damaged.
- Always use a fully charged battery.

ENOW00015-1

### CAUTION

Do not use a battery that is not recommended. Use of a battery not recommended can lead to poor performance of, and/or damage to the electrical system.

ENON00006-1E

#### Note

**Minimum battery requirements: 12v 40Ah/20HR, 330 Cold Cranking Amps (CCA).**

Larger capacity battery is required when it is using freezing condition.

Larger capacity battery is required when it is used under a freezing condition.

Recommend connecting only the engine battery cables to the starting battery.

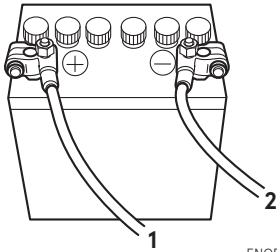
Specifications and features of battery vary by manufacturers.

Consult the manufacturer for details.

\* The battery should be purchased separately and is not supplied with the outboard motor.

1. Place the battery box in a convenient position and away from possible water spray. Securely fasten both the box and the battery so they do not shake loose.

2. Connect the positive lead (+) to the positive terminal (+) of the battery, and then connect the negative lead (-). When disconnecting the battery, always remove the negative lead (-) first. After connecting the positive terminal (+), securely place a cap on it to prevent short circuits.



ENOF00022-1

1. Battery cord (red)
2. Battery cord (black)

# PRE-OPERATING PREPARATIONS

ENOM00030-A

## 1. Fuel handling

ENOW000017-0

### CAUTION

**Use of improper gasoline can damage your engine. Engine damage resulting from the use of improper gasoline is considered misuse of the engine, and damage caused thereby will not be covered under the limited warranty.**

ENOM00031-1

## FUEL RATING

Use only major brand unleaded fuel meeting the following specifications:

**USA and Canada** – having a posted pump Octane Rating of 87 (R+M)/2 minimum.

Premium gasoline (92 [R+M]/2 Octane) is also acceptable. Do not use leaded gasoline.

**Outside USA and Canada** – Use unleaded gasoline with declared octane rating of 91 RON or over. Use of premium gasoline of 98 RON is also allowed.

ENOM00032-1

## GASOLINES CONTAINING ETHANOL

The fuel system components on your TOHATSU outboard motor will withstand up to 10% ethyl alcohol (hereinafter referred to as the "ethanol") content in the gasoline. If the gasoline in your area contains ethanol, be aware of certain adverse effects that can occur. Increasing the percentage of ethanol in the fuel can also worsen these adverse effects. Some of these adverse effects are caused by ethanol absorbing moisture in

the air, which leads to separation of the water/ethanol from the gasoline in the fuel tank.

Use of gasoline containing ethanol may accelerate:

- Corrosion of metal parts
- Deterioration of rubber or plastic parts
- Fuel permeation through rubber fuel lines
- Starting and operating difficulties

If the use of gasoline containing ethanol cannot be avoided or presence of ethanol is suspected in the gasoline, it is recommended to use a filter to separate water, and frequently check the fuel system for leaks, mechanical parts for corrosion and abnormal wear.

In case any of such abnormality is found, discontinue the use of such gasoline and contact our dealer immediately.

If the outboard motor will only be used infrequently, please see the remarks on fuel deterioration in the STORAGE chapter (P 81) for additional information.

ENOW00975-0

### CAUTION

**When operating an outboard motor with gasoline containing ethanol, storing gasoline in the fuel tank for long periods should be avoided. Storing gasoline for long periods creates unique problems. In cars, ethanol blended fuels are normally consumed before they can absorb enough moisture to cause problems, but boats often sit idle long enough for separation phase to take place. In addition, internal corrosion may take place during storage if ethanol washes away the oil films protecting internal components.**

ENOW00018-1

 **WARNING**

Fuel leakage can cause fire or explosion, potentially leading to severe injury or loss of life. Every part of fuel system should be inspected periodically. Inspect for fuel leak, hardness or any alteration of rubber, expansion and/or corrosion of metals especially after long term storage. In case any indication of fuel leakage or degradation in fuel system is found, replace the part immediately before using the outboard motor.

ENOM00043-B

**2. Fuel filling**

ENOW00976-0

 **WARNING**

Do not fill the fuel tank over capacity. Under high temperature conditions, excessive gasoline may evaporate/leak through air vent screw when it is loose or open. Leaking of gasoline is a may lead to a dangerous fire hazard.

ENOW00028-1

 **WARNING**

Consult an authorized dealer for details on handling gasoline, if necessary.

Gasoline and its vapor are very flammable and can be explosive.

When carrying a fuel tank containing gasoline:

- Close the fuel tank cap and air vent screw of fuel tank cap, or gasoline may evaporate through the air vent screw and may lead to a fire hazard.
- Do not smoke.

When or before refueling:

- Be sure to remove the static electricity charged in your body before refueling.

- The static electricity may ignite the gasoline vapor during refueling.
- Stop the engine, and do not start the engine during refueling.
- Do not smoke.
- Be careful not to overfill fuel tank. Wipe up any spilled gasoline immediately.

When or before cleaning the gasoline tank:

- Dismount fuel tank from the boat.
- Place the fuel tank away from every source of ignition, such as sparks or open flames.
- Do the work outdoors or in a well ventilated area.
- Wipe up gasoline well immediately if spilled.

After cleaning gasoline tank:

- Wipe up gasoline well immediately if spilled.
- If the fuel tank is disassembled for cleaning, reassemble carefully. Incorrect assembly may cause a fuel leak, possibly leading to fire or explosion.
- Dispose aged or contaminated gasoline in accordance with local regulations.

EEOW00029-1

 **WARNING**

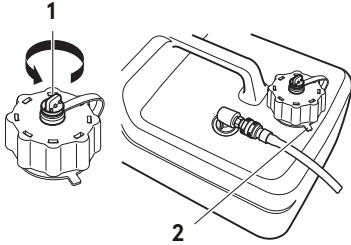
When opening fuel tank cap, be sure to follow the procedure described below. Fuel could blast out if the fuel tank cap is opened by using another procedure when internal pressure of fuel tank is raised by heat from sources such as sun light.

ENOW00946-0

 **CAUTION**

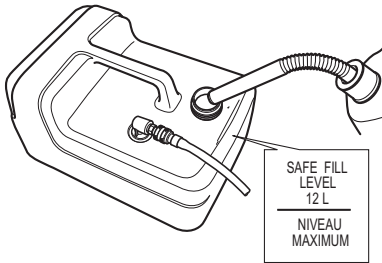
Separate tank must be fixed at appropriate position so that well ventilated and tank does not move or fall down while operating.

1. Fully open the air vent screw on the fuel tank cap and release internal pressure.



1. Air vent screw
2. Tank cap

2. Open the fuel tank cap slowly.
3. Fill the fuel carefully not to over flow.



4. After filling the tank, close the fuel tank cap.

ENOM00037-C

### 3. Engine oil filling

ENOW00022-2

#### **⚠ CAUTION**

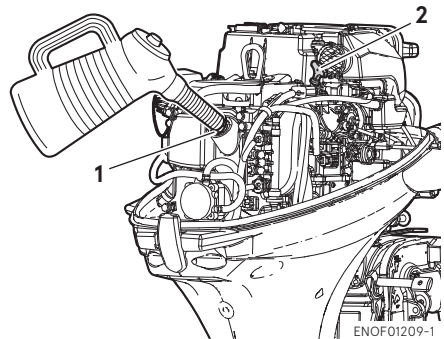
The engine oil is drained for shipping at the factory. Be sure to fill the engine oil to the proper level before starting the engine.

ENOW00092-1

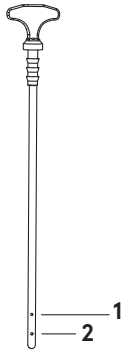
#### **⚠ CAUTION**

- Do not overfill engine oil, or engine oil could leak and/or engine could be damaged. If engine oil level is over upper limit marks of oil level gauge, drain oil to level lower than upper limit.
- Be sure that outboard motor is upright when checking or changing oil.
- Stop the engine immediately if low oil pressure warning lamp or oil leak is found, or engine could be severely damaged. Consult your dealer.
- Wipe off engine oil well immediately if spilled and dispose of it in accordance with local fire prevention and environment protection regulations.

1. Place the engine in a vertical position.
2. Remove the top cowl and the oil filler cap.
3. Fill the engine through filler port with recommended oil to between upper limit and lower limit shown on the dipstick.
4. Tighten the oil filler cap.



1. Filler port
2. Dipstick



ENOF01240-0

- 1. Upper limit (Max.)
- 2. Lower limit (Min.)

ENOW0002A-A

**⚠ CAUTION**

**Use of engine oils that do not meet these requirements will result in reduced engine life, and other engine problems.**

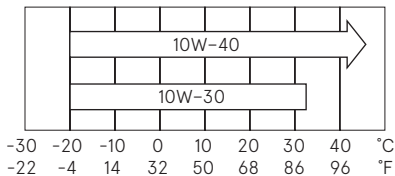
**Engine oil recommendation**

Use only high quality 4-stroke outboard motor oil to insure performance and prolonged engine life.

SAE: 10W-30 or 10W-40

API: SH, SJ or SL

Engine oil viscosity must be selected from the following chart according to the average temperatures in your area.



ENOF00208-0

**Engine oil volume**

Approximately 1L (33.8/35.2 US/Imp.oz.)

ENOM00033-A

## 4. Break-In

Your new outboard motor and lower unit require break-in for the moving components according to the conditions described in the following time table.

Please refer to ENGINE OPERATION section (See page 35) to learn how to correctly start and operate the outboard motor.

ENOW00024-1

### DANGER

**Do not operate the outboard motor in closed area or area with not enough ventilation.**

**Exhaust gas emitted by the outboard motor contains carbon monoxide that may cause dizziness, nausea, other health problem or even death if inhaled continuously.**

**During operation of the outboard motor:**

- **Keep peripheral area well ventilated.**
- **Always stay on the windward side of emission.**

ENOW00023-1

### CAUTION

**Operating the outboard motor without break-in can shorten life.**

**If any abnormality is experienced during the break-in:**

- **Discontinue the operation immediately.**
- **Have the dealer check the product and take proper action(s) if necessary.**

ENON00008-2

### Note

- During Break-in, run the outboard motor at varied RPM less than specified engine speed. Not following the procedure may result in problems and may shorten the product life.
- Break-in must be conducted under load in the water in-gear with propeller installed.

6

	1-10 min	10 min – 2 hrs	2-3 hrs	3-10 hrs	After 10 hrs
Throttle Position	Idle	Less than 1/2 throttle	Less than 3/4 throttle	3/4 throttle	Full throttle available
Speed		Approx. 3000 min <sup>-1</sup> (rpm) max	Full throttle run allowed for 1 min every 10 min	Approx. 4000 min <sup>-1</sup> (rpm). Full throttle run allowed for 2 min every 10 min	



ENOM00039-D

## 5. Warning system

If outboard motor encounters an abnormal condition of fault, the warning buzzer will emit a continuous beep or intermittent short beeps and the warning lamp will synchronize with the buzzer and engine speed will be limited (engine will not be stopped).

\*No buzzer is located for tiller handle type and EP type on the motor.

See next page for conditions which will lead to an abnormal condition or fault.

ENOM00040-1

### Location of warning buzzer and lamp

#### ■ Warning buzzer

RC model: Located inside the remote control.

Tiller handle model: No warning buzzer.

#### ■ Warning lamp

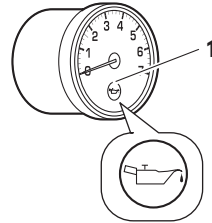
RC model: Located in the tachometer & bottom cowl.

Tiller handle models: Located on the bottom cowl.

ENON00009-A

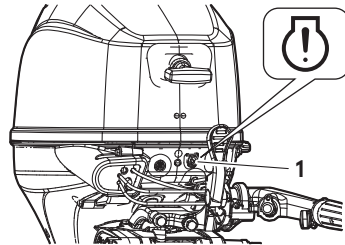
### Note

Warning lamp for optional tachometer will synchronize with the warning lamp for engine side.



ENOF00851-A

1. Warning lamp



ENOF00314-A2

1. Warning lamp

ENOM00041-F

## Warning indicators, faults and remedy

Warning indicators				Description of faults	Remedy
Sound	Lamp (LED)	Low speed ESG	High speed ESG		
One beep <sup>*3</sup>	On for 5 sec.			Normal system test when start up	
Continuous <sup>*3</sup>	ON		ON	Engine speed exceeds maximum allowable RPM	<b>1</b>
Continuous <sup>*2, *3</sup>	ON <sup>*2</sup>	ON <sup>*2</sup>		Low oil pressure <sup>*1</sup>	<b>2</b>
Continuous <sup>*3</sup>	ON <sup>*2</sup>	ON <sup>*2</sup>		Water over temperature	<b>3</b>
Intermittent short beep <sup>*2, *3</sup>	Blinking <sup>*2</sup>	ON <sup>*2</sup>		Water temp or MAP sensor out of range	<b>4</b>

**Remarks**

\*1: In this case, oil pressure switch is "ON".

\*2: It is necessary to stop the engine, if you want to stop the working indicators and re-set the warning system.

\*3: The buzzer will only beep when shifting in on remote control models.

**High speed ESG (Electronic Safety Governor)**

High speed ESG is a device to prevent over revolution of the engine. If the load to the engine is reduced for some reason, it runs at a higher speed than the usual. In such the case, the buzzer sounds and the ESG is activated not to ignite the spark plug. Therefore, the engine speed varies and is controlled under 6300 min<sup>-1</sup> (rpm).

**Low speed ESG**

Low speed ESG is a device to prevent the engine from getting damage. If the engine has problems regarding cooling water, oil pressure, and sensors, the low speed ESG is activated not to ignite the spark plug, and disable fueling. Therefore the engine speed varies and is controlled under 2800 min<sup>-1</sup> (rpm).

ENOM00126-0

**Remedy**

1. Reduce the speed to less than half open throttle, and move to safe place quickly, and stop the engine.  
Check the propeller for bent or damage on blades.  
Consult an authorized dealer if engine shows the same result even after replacing propeller with a new one.
2. Move to safe place quickly, and stop the engine until it cools down.  
Check the engine oil level, and add engine oil if necessary.  
Consult your dealer if the engine oil level is too low or too high.

3. Move to safe place quickly, and check if cooling water is discharged from the water check port at idle speed and stop the engine.  
Remove any foreign matter on the gear case and propeller if necessary.  
Consult an authorized dealer if no discharge of cooling water.
4. Consult an authorized dealer.

ENOW00025-B



- **Low speed ESG ON: Engine speed will be limited under 2800 min<sup>-1</sup> (rpm), however you should not continue to run engine.**
- **High speed ESG ON: Engine speed will be limited to 6300 min<sup>-1</sup> (rpm) and engine will run rough until throttle is reduced.**

# ENGINE OPERATION

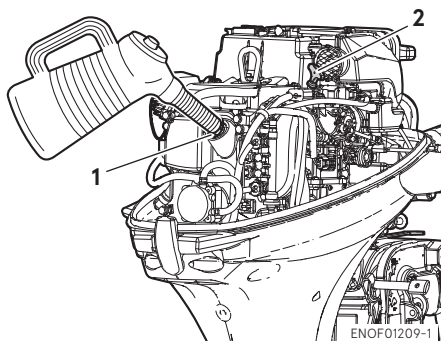
ENOM00042-0

## Before starting

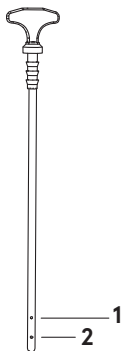
ENOM00246-0

### Oil Level checking

Check the engine oil level before each use. If the oil level is low or too high, the life of the engine will be shortened significantly. (To properly check the engine oil level, follow the instructions, see page 61)



- 1. Filler port
- 2. Dipstick



ENOF01240-0

- 1. Upper limit (Max)
- 2. Lower limit (Min.)

ENOW00027-B

## CAUTION

Before starting engine for the first time after reassembling engine or off-season storage, disconnect stop switch lock and crank approximately 10 times in order to prime the oil pump.

ENOM00044-C

## 1. Fuel feeding

ENOW00029-1

## WARNING

When opening fuel tank cap, be sure to follow the procedure described below. Fuel could blast out if the fuel tank cap is opened by using another procedure when internal pressure of fuel tank is raised by heat from sources such as sun light.

ENOW00035-0

## WARNING

When using EPA approval fuel tank, only use a primer bulb/hose assembly that has a Fuel Demand Valve (FDV) installed in the fuel hose or a sealing mechanism in the fuel connector as shown below.

FDV and fuel connector that has an sealing mechanism prevent pressurized fuel spillage when the fuel connector is connected to the engine.



ENOF00035-0

- 1. FDV in fuel hose
- 2. Sealing mechanism in fuel connector
- 3. Identification

Do NOT use a primer bulb/hose assembly that does not contain a Fuel Demand Valve or a sealing mechanism as shown below: otherwise fuel spillage may occur when the connector is connected to the engine.



ENOF00036-0

Do not connect fuel connector except when operating engine. Fuel leakage is a fire or explosion hazard, which can cause serious injury or death.

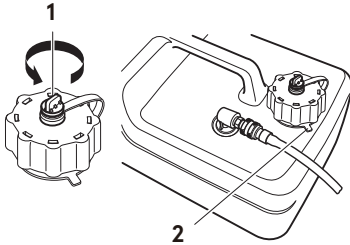
ENOW00947-0

**CAUTION**

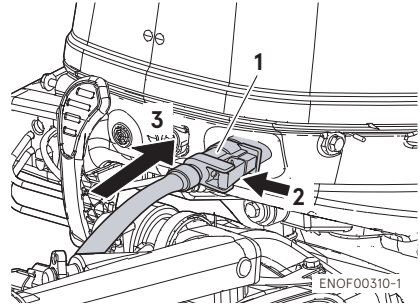
When using a separate tank, be sure that the fuel line is not kinked and is connected securely.

7

1. Fully open the air vent screw on the fuel tank cap.

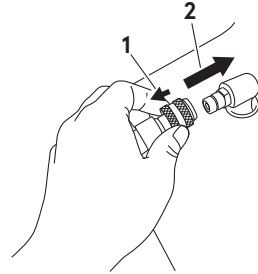


1. Air vent screw
  2. Fuel tank cap
2. Open the fuel tank cap slowly and release internal pressure completely. After that, close the fuel tank cap.
  3. Connect the fuel connector to the engine and fuel tank.



ENOF00310-1

1. Fuel connector
2. Push
3. Insert



ENOF00861-A

1. Pull
  2. Insert
4. Squeeze primer bulb until it becomes stiff to feed fuel to vapor separator. Point the arrow mark upward when priming.



ENOF00862-0

1. Engine side
2. Fuel tank side

Do not squeeze primer bulb with engine running or when the outboard motor is tilted up to avoid fuel from overflowing.

ENOM00045-J

## 2. Starting the engine

ENOW00958-1

### ⚠ WARNING

- Do not remove or install the top cowl after the engine has started.
- The exposed rotating engine parts cause serious injury.

ENOW00959-0

### ⚠ CAUTION

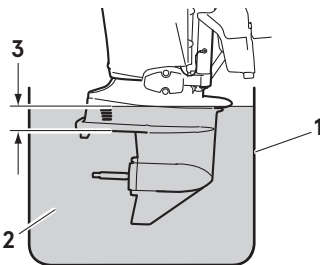
The top cowl must be installed while the engine running except in an emergency. If the top cowl is not installed correctly, water splash can damage the engine.

ENOW00036-1A

### ⚠ CAUTION

When starting the outboard motor in the test tank, make sure that:

1. Water level is at least 10 cm (4 in.) above the anti-ventilation plate to avoid overheating of the engine.
2. Run at idling only
3. Remove the propeller.  
(See page 74)



ENOF00863-0

1. Test tank
2. Water
3. Over 10 cm (4 in.)

ENOW00036-1

### ⚠ CAUTION

Operating outboard motor without cooling water will lead to overheating and damage on the outboard motor severely. In case the cooling water check port is not discharging water, stop the outboard motor immediately, check for any object, debris which may be blocking the cooling water check port. If you are unable to locate the cause, consult an authorized dealer immediately.

ENOW00032-A

### ⚠ CAUTION

Do not hold turning starter motor more than 5 seconds, or the battery may be consumed, potentially making the engine starting impossible and/or damaging the starter.

If cranking over 5 seconds fails to start engine, return main switch to "ON", and crank engine again after 10 seconds or more. Do not try to crank after engine has started.

This model is provided with start in gear protection.

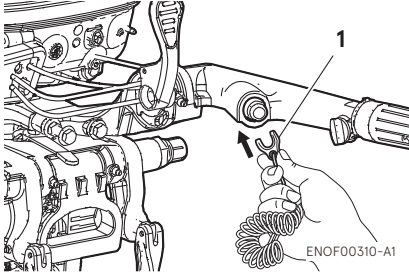
ENON00010-1

### Note

Start-in-gear protection prevents the engine from starting at other than neutral shift. In-gear starting of engine will move the boat immediately, potentially leading to fall down or causing passenger(s) to be thrown overboard.

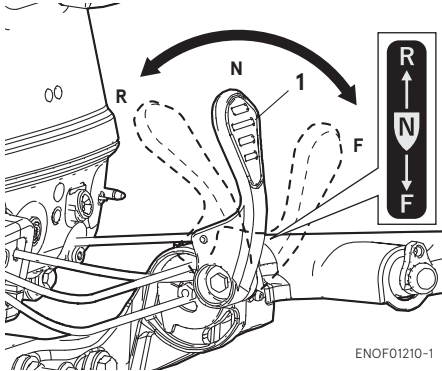
**Tiller handle type**

1. Be sure to install the stop switch lock to the stop switch, and attach the stop switch lanyard securely to the operator or to the operator's PFD (Personal Flotation Device.)



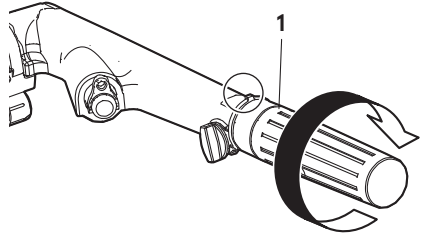
1. Stop switch lock

2. Set the shift lever in the Neutral position.



1. Shift lever

3. Set the throttle grip to START position.

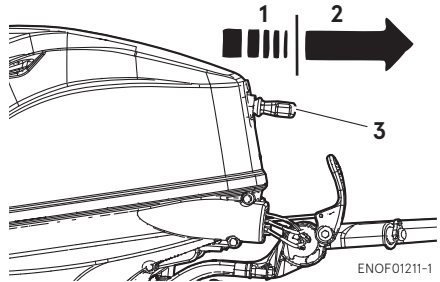


1. Throttle grip

**(For manual starter type)**

This engine is equipped with a compression release mechanism.

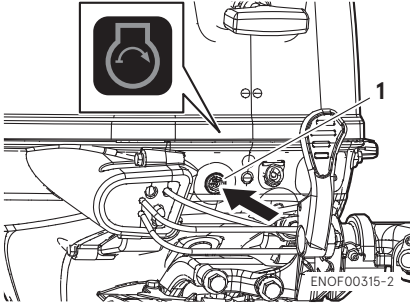
4. Pull the starter handle slowly until you feel engagement, keep pulling till you feel less resistance. Then pull it quickly. Repeat the procedure until the outboard motor is started.



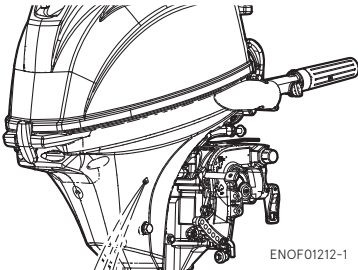
1. Slowly
2. Quickly
3. Starter handle

**(For electrical starter type)**

4. Push the starter switch button and release the button when the engine has started.

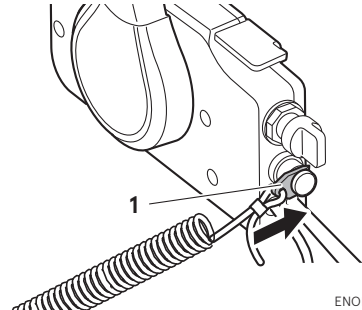


1. Starter button
5. Check the cooling water from cooling water check port.



**Side mount RC type**

1. Be sure to install the stop switch lock to the stop switch, and attach the stop switch lanyard securely to the operator or to the operator's PFD (Personal Flotation Device.)

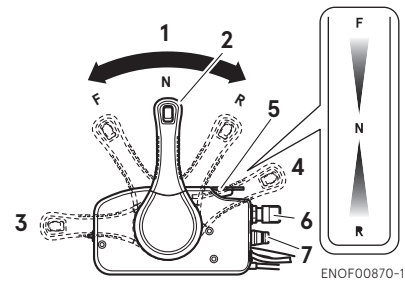


1. Stop switch lock
2. Insert the main switch key.
3. Set the control lever in the Neutral position.

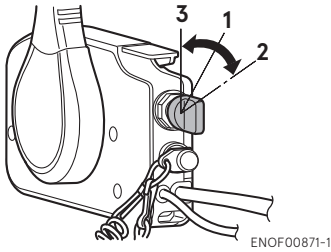
ENON00035-1

**Note**

The free throttle lever cannot be raised when the control lever is in Forward or Reverse.

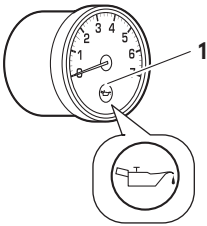


1. Neutral (N)
  2. Control lever
  3. Fully opened (Forward)
  4. Fully opened (Reverse)
  5. Free throttle lever
  6. Main switch key
  7. Stop switch
4. Turns the main switch key to START position.

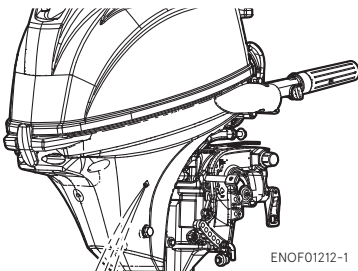


1. ON
2. START
3. OFF

5. Stop pushing the key when the engine has started.  
The key returns to the original position, automatically.
6. Returns the free throttle lever to close position.
7. Confirm warning lamp light up and then go off after engine has started.



1. Warning lamp
8. Check the cooling water from cooling water check port.



ENOM00042-H

### Emergency starting

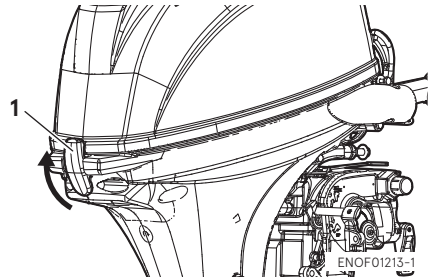
ENOW00099-1

**! WARNING**

**When the emergency starter rope is used for starting engine;**

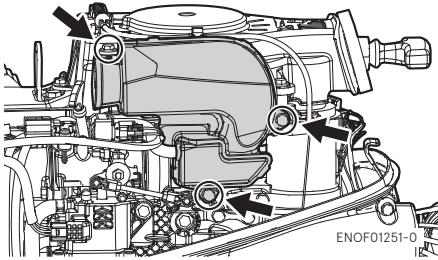
- Start in gear protection does not work. Make sure that shift is in neutral position. If the gear is in Forward or Reverse, the boat can start moving immediately and may lead to accident and personal injury.
- Be careful that of your clothes or other items do not to get caught in the rotating parts.
- To prevent accident and injury by rotating parts, do not re-attach flywheel cover or recoil starter and the top cowl after the engine has been started.
- Do not pull starter rope if any bystander is around.
- Attach engine stop switch lanyard to clothing or any part of body such as wrist, arm before starting engine the outboard motor.

1. Remove the top cowl.

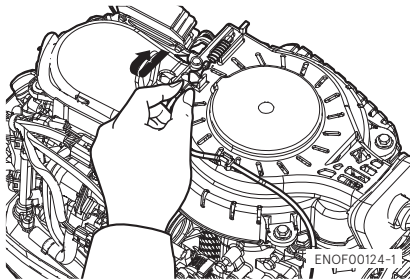


1. Cowl latch
2. Remove the bolts (3pcs) and remove the intake silencer.

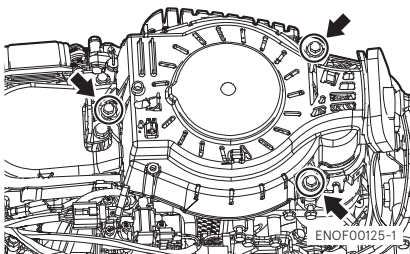




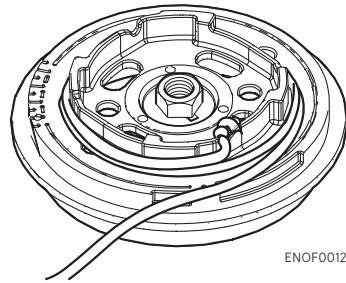
3. Remove starter lock cable from recoil starter by pulling the starter lock cable.



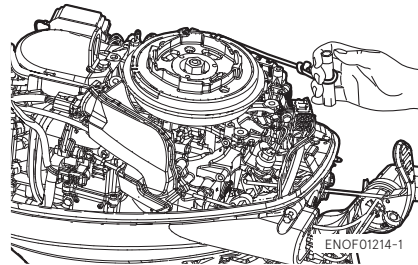
4. Remove the bolts (3pcs) and remove the recoil starter.



5. Insert the knotted end of the starter rope into the notch in the flywheel and wind the rope clockwise around the flywheel several turns.



6. Tie a loop in the another end of the emergency starter rope and attach socket wrench, Both the loop and the wrench are provided in outboard motor box.



ENOW00860-0

### CAUTION

Be sure to keep the harness away from the rotation parts.

7. Be sure to install the stop switch lock to the stop switch, and attach the stop switch lanyard securely to the operator or to the operator's PFD (Personal Flotation Device.)
8. Set the shift lever in the Neutral position.

9. Pull the starter handle slowly until you feel engagement, keep pulling till you feel less resistance. Then pull it quickly.
10. Once the outboard motor is started, do not reinstall the recoil starter and top cowl.

ENOM00043-B

### 3. Warming up the engine

ENOW00932-1

#### ⚠ CAUTION

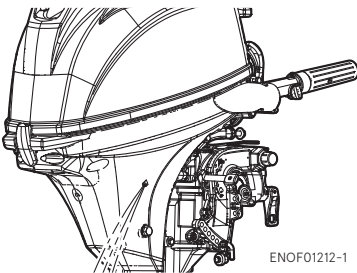
Be sure to check that cooling water is discharged from the cooling water check port during warm up.

7 Warm the engine at low engine speeds for about

3 minutes : above 5°C (41°F)

5 minutes at 2000 min<sup>-1</sup> (rpm) : below 5°C (41°F)

This allows the lubricating oil to circulate to all parts of the engine. Operating the engine without warm up shortens the engine's life.



ENOM01826-0

### Engine speeds

Idling speed after warming up.

Remark: The idling speed automatically increases depending on the engine temperature. When the engine reaches normal operating temperature, it will return to the specified idling speed.

Clutch in (In gear)	Clutch off (Out of gear)
950 min <sup>-1</sup> (rpm)	950 min <sup>-1</sup> (rpm)

ENOM00972-0

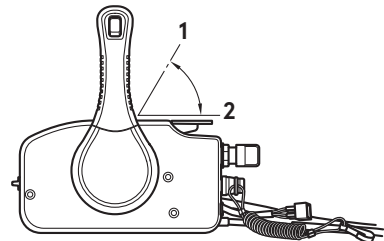
### Free throttle lever (Side mount RC type)

ENOW00956-0

#### ⚠ CAUTION

- Keep the free throttle lever fully closed-position when start the engine.
- The free throttle lever is inoperative unless the control lever is in neutral.
- Also, the control lever is inoperative unless the free throttle lever is returned to the fully-closed position.

The free throttle lever is for warm-up operation.(Not required for engine starting) With the control lever in neutral, move the free throttle lever upward to open the throttle.



1. Fully-open
2. Fully-closed

ENOW00046-A

#### 4. Forward, reverse, and acceleration

ENOW00037-1

#### WARNING

Before shifting into forward or reverse, make sure that boat is properly moored and out-board motor can be steered fully to the right and left. Make sure that no swimmer(s) is around of the boat.

ENOW00967-0

#### WARNING

- Attach the other end of emergency stop switch lanyard to the operator's PFD (Personal Flotation device) or arm and keep it attached during cruising.
- Do not attach the lanyard to a part of clothing that can be torn easily when pulled.
- Arrange the lanyard so that will not be caught by any object when pulled.
- Be careful not to pull the lanyard accidentally during cruising. Unintentional stop of engine can cause loss of control of out-board motor. Rapid loss of engine power can lead to fall down or causing passenger(s) to be thrown overboard.

ENOW00042-1

#### WARNING

- Do not shift into Reverse during planing, or control will be lost leading to serious personal injury, boat may swamp, and/or hull may be damaged.
- Do not shift into Reverse during cruising, or control may be lost, fall down or causing passenger(s) to be thrown overboard. Leading to serious personal injury, and steering system and/or shifting mechanism may be damaged.

ENOW00861-1

#### WARNING

Do not shift at high boat speed, or control may be lost, fall down or causing passenger(s) to be thrown overboard. Leading to serious personal injury.

ENOW00867-1

#### WARNING

Sudden acceleration and deceleration may cause passenger(s) to be thrown overboard or fall down.

ENOW00862-1

#### CAUTION

Gear and clutch damage may occur if shifting at high engine speed.  
Engine must be in the slow idle position before shifting.

ENOW00863-0

#### CAUTION

Idle speed may be higher during warming up of engine. If shifted to Forward or Reverse during warming up, it may be difficult to shift back to neutral. In such case, stop engine, shift to neutral, and restart engine to warm up.

ENON00014-0

#### Note

Frequent shifting to forward or reverse can accelerate wear or degradation of parts. In such case, replace gear oil earlier than the period specified.

ENOW00864-0

**CAUTION**

Do not increase engine speed unnecessarily when the shift is in neutral and reverse, or engine damage may occur.

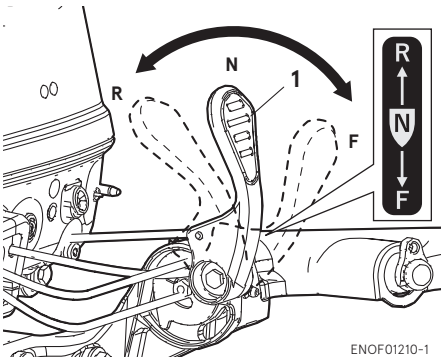
ENOM00890-A

**Tiller handle type**

ENOW00865-A

**CAUTION**

Do not force to shift when the throttle grip is not in the fully closed position, otherwise, steering system and/or shifting mechanism may be damaged.



1. Shift lever

ENOF01210-1

**Forward**

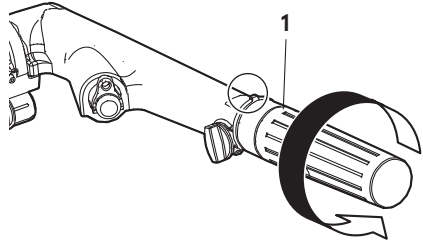
1. Turn the throttle grip to reduce engine speed.
2. When the engine reaches trolling (or idling) speed, quickly pull the shift lever to the Forward position.

**Reverse**

1. Turn the throttle grip to reduce engine speed.
2. When the engine reaches trolling (or idling) speed, quickly pull the shift lever to the Reverse position.

**Acceleration**

Open throttle grip gradually.

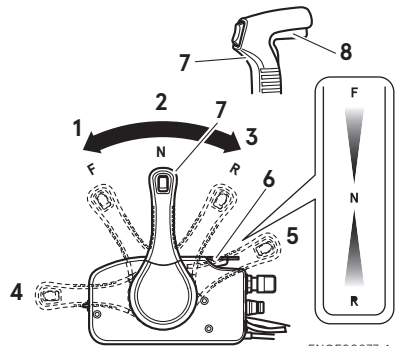


ENOF01109-1

1. Throttle grip

ENOM0900-0

**Side mount RC type**



ENOF00877-1

1. Forward (F)
2. Neutral (N)
3. Reverse (R)
4. Fully opened (Forward)
5. Fully opened (Reverse)
6. Free throttle lever
7. Control lever
8. Neutral lock arm

**Forward**

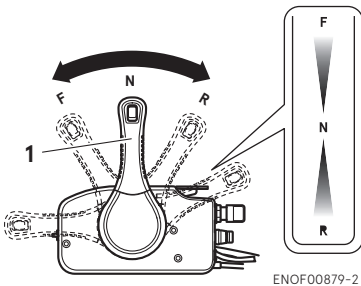
1. Quickly push the control lever to the Forward (F) position 32°, where the gear is connected, while lifting up on the lock button located under the control lever grip.
2. Further forward motion will open the throttle.

### Reverse

1. Quickly pull the control lever to the Reverse (R) position at 32°, where the gear will be connected, while lifting up on the lock button located under the control lever grip.
2. Further rearward motion will open the throttle.

### Acceleration

Open control lever gradually.



ENOF00879-2

1. Control lever

ENOM00049-A

## 5. Stopping the engine

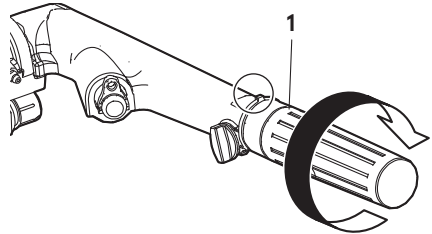
ENOW00868-1

### ⚠ WARNING

Be careful not to remove engine stop switch lanyard from engine accidentally while boat is running. Sudden stop of engine can cause loss of steering control, speed, possibly leading the crew(s) and or objects on the boat to be thrown forward due to inertial force.

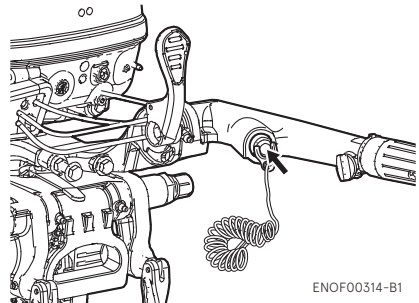
### Tiller handle type

1. Turn the throttle grip to the slow position.



ENOF01107-1

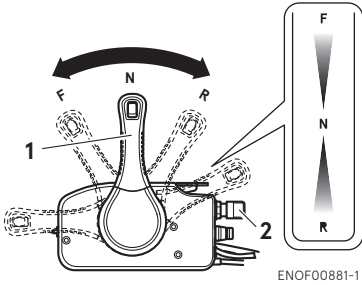
1. Throttle grip
2. Put the shift lever in the Neutral position.  
Run the engine for 2-3 minutes at idling speed for cooling down if it has been running at full speed.
3. Turn the main switch key to the OFF position or push the stop switch. (Do not forget to turn the key off).



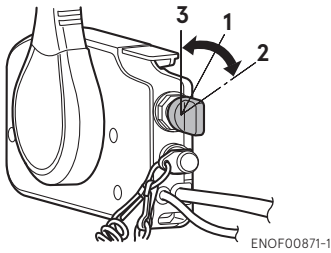
ENOF00314-B1

### Side mount RC type

1. Put the control lever in the Neutral position and run the engine for 2-3 minutes at idling speed for cooling down if it has been running at full speed.



1. Control lever
  2. Main switch key
2. Turn the main switch key to the OFF position.



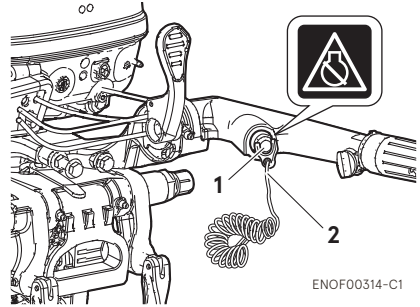
1. ON
  2. START
  3. OFF
- ENOW00869-1

**⚠ WARNING**

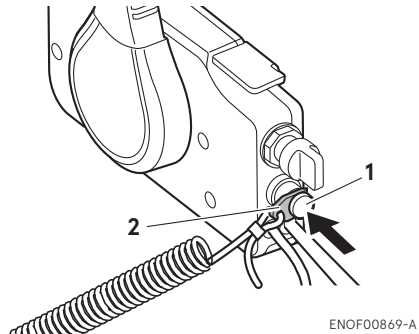
- After stopping the engine:**
- Close the air vent screw on the fuel tank cap.
  - Disconnect the fuel connector from the engine and the fuel tank.
  - Disconnect the battery cable, after each use.

**Emergency engine stopping**

Remove stop switch lock to stop the engine.



1. Stop switch
  2. Stop switch lock
- ENOF00314-C1

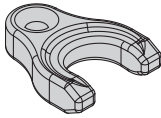


1. Stop switch
  2. Stop switch lock
- ENOF00869-A

ENOM00910-1  
**Spare emergency stop switch lock (For CE marking model)**

A spare emergency stop switch lock is provided in the accessories bag. Make sure that spare stop switch lock is available before operating outboard motor.

When used as described, the emergency stop switch clip and emergency stop switch lanyard system stops the engine if the operator is thrown overboard. When an operator falls into water, be sure to use spare emergency stop switch lock.



ENOF00891-0

ENOM00920-0

## 6. Steering

ENOW00870-0

### WARNING

Sudden steering may cause passenger(s) to be thrown overboard or falling down.

### Tiller handle type

#### Right turn

Move the tiller handle to the left

#### Left turn

Move the tiller handle to the right.



ENOF00892-0

### Remote control type

#### Right turn

Turn the steering wheel to the right.

#### Left turn

Turn the steering wheel to the left.



ENOF00893-0

ENOM00050-0

## 7. Trim angle

ENOW00043-1

### WARNING

- Adjust the trim angle when the engine is stopped.
- Do not put hand or finger in between outboard motor body and clamp bracket when adjusting trim angle to prevent possible injury.
- Unsuitable trim position can cause loss of control of boat. When testing a trim position, run the boat slowly initially to see if it can be controlled safely.

ENOW00044-1

### WARNING

Excessive trim up or down may cause unstable boat operation, loss of control that may leads to accident during cruising.

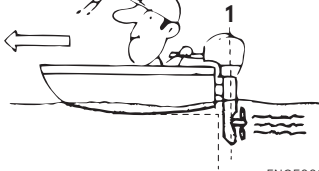
- For manual tilt model, If you feel the trim is improperly positioned, stop the boat and readjust trim angle before continuing to cruise.
- For outboard motor model with PT or PTT switch on the bottom cowl, do not operate the switch during while cruising, or control of boat may be lost.

The trim angle of the outboard motor can be adjusted to suit the transom angle of the hull, and load conditions. Choose an appropriate trim angle that will allow the anti-ventilation plate to run parallel to the water surface during operation.

ENOM00052-0

**Proper trim angle**

The position of the thrust rod is correct if the hull is horizontal during operation.



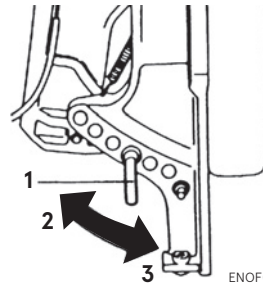
ENOF00051-1

- 1. Perpendicular to the water surface



ENOF00053-0

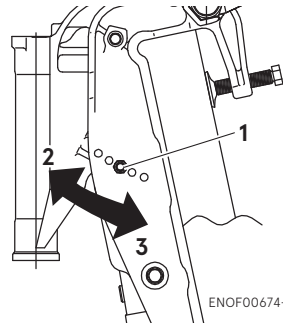
■ **Manual Tilt type**



ENOF00674-A

- 1. Thrust rod
- 2. Higher
- 3. Lower

■ **Power Tilt type**



ENOF00674-B

- 1. Trim lock pin
- 2. Higher
- 3. Lower

**Trim angle adjustment (Manual tilt type)**

The transom angle adjustment

- 1. Stop the engine.
- 2. Shift into neutral position.

7

ENOM00053-0

**Improper trim angle (bow rises too high)**

Set the thrust rod lower if the bow of the boat rises above horizontal.



ENOF00052-0

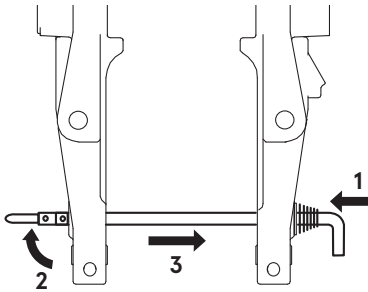
ENOM00054-0

**Improper trim angle (bow dips into the water)**

Set the thrust rod higher if the bow of the boat is below horizontal.



3. Tilt up the outboard motor.
4. Remove the thrust rod as shown picture.
5. Reinstall the thrust rod in the desired position securely.
6. Gently tilt down the outboard motor.



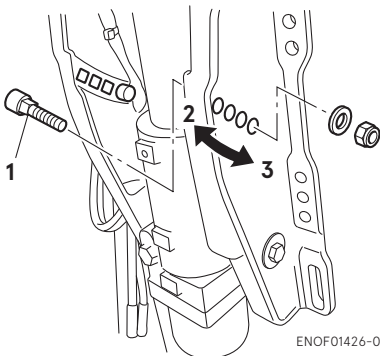
ENOF01238-1

1. Push in
2. Rise the stopper
3. Pull out

**Trim angle adjustment (Power tilt type)**

The transom angle adjustment

1. Stop the engine.
2. Shift into neutral position.
3. Tilt up the outboard motor.
4. Lock the tilt stopper.
5. Change the trim lock pin position as shown in the picture.



ENOF01426-0

1. Trim lock pin
2. Higher
3. Lower
6. Reinstall the trim lock pin securely.
7. Operate the Power Tilt switch and tilt down the outboard.

ENOM00060-B

**8. Tilt up and down**

ENOW00055-1

**! WARNING**

Do not tilt the outboard motor up or down when swimmer(s) and/or passenger(s) are near to prevent them from being caught between outboard motor body and clamp bracket.

ENOW00048-1

**! WARNING**

When tilting up or down, be careful not to place your hand between the swivel bracket and the clamp bracket.

ENOW00056-A

**! WARNING**

When tilting up outboard motor with fuel joint for over a few minutes, be sure to disconnect fuel hose, or fuel may leak, potentially catching fire.

ENOW00057-1

**! CAUTION**

Do not tilt up the outboard motor while engine is operating, or no cooling water may be discharged, leading to engine seizure due to overheating.

ENOW00071-0

**⚠ CAUTION**

**Do not use tilt stopper or lever when trailering the boat. Use only for holding the outboard motor in the fully tilted up while the boat is stored.**

ENOM00921-1

**Note**

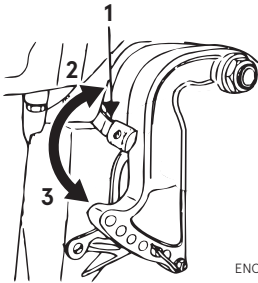
After use, leave the outboard motor upright for a minute to drain the water from inside the engine.

ENOM00062-1B

**Manual Tilt type**

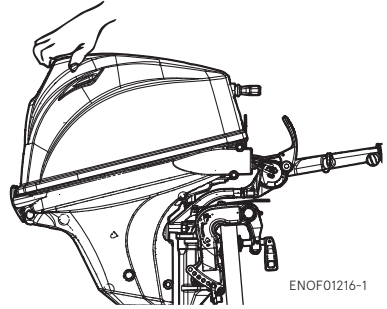
**Tilt up**

Push the reverse lock lever down until it stops. (This is the tilt up position.) Now, tilt the outboard motor all the way up until it is locked in place.



ENOF00059-0

1. Reverse lock lever
2. Tilt down position
3. Tilt up position

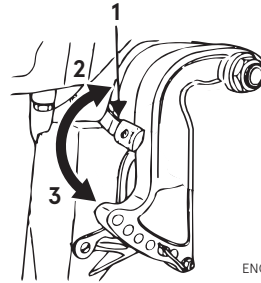


ENOF01216-1

ENOM00063-1

**Tilt down**

Pull the reverse lock lever upward until it comes to a stop (This is the tilt down position), lift up the outboard motor to free it from the reverse lock, then release to lower the outboard motor.



ENOF00059-0

1. Reverse lock lever
2. Tilt down position
3. Tilt up position

ENOM00069-A

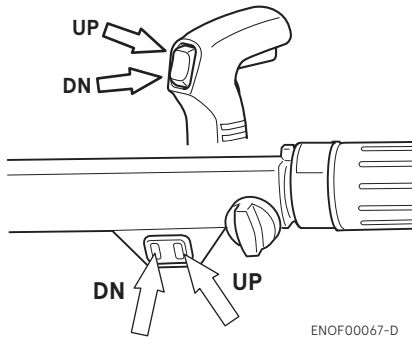
## Power Tilt type

### Tilt up

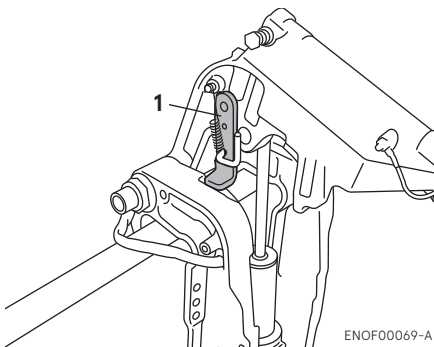
1. Operate the Power Tilt switch and tilt the outboard motor up.
2. Lock the tilt with the Tilt stopper after the outboard motor has been tilted up

### Tilt down

1. Release the tilt stopper from the set-up position while slightly tilting up outboard motor.
2. Operate the Power Tilt switch and tilt the outboard motor down until the motor touches to the thrust rod.



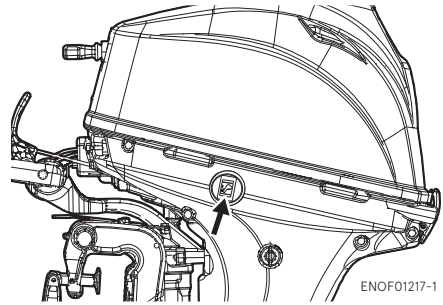
ENOF00067-D



ENOF00069-A

1. Tilt stopper

The outboard motor can also be tilted up and down using the switch provided on the bottom cowl.



ENOF01217-1

It is possible to tilt up or down whether or not the main switch is "ON" or "OFF".

ENOM00940-1

### Manual relief valve

If the battery is dead, and/or the power tilt switch is inoperative open the manual relief valve completely in the Manual direction. This allows the outboard motor to be tilted manually.

ENOW00872-1

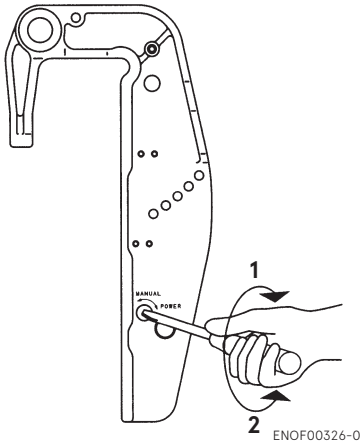
### ⚠ WARNING

Make sure the manual relief valve is closed before operating the outboard motor. If the manual relief valve is not closed, the outboard motor will be tilted up when shifting in reverse.

ENOW00873-1

### ⚠ WARNING

Before opening the manual relief valve, make sure nobody is under the outboard motor. If the outboard motor is in the tilted up position with the manual relief valve loosened, the outboard motor will be tilted down suddenly.



ENOF00326-0

- 1. Power
- 2. Manual

Manual relief valve specified tightening torque

**2 N·m (1.5 ft·lb, 0.2 kgf·m)**

ENOM00068-A

## 9. Shallow water operation

ENOW00051-0

### **! WARNING**

During shallow water operation, be careful not to place your hand between the swivel bracket and the clamp bracket. Be sure to tilt the outboard motor down slowly.

ENOW00053-0

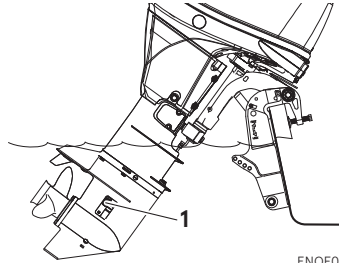
### **! CAUTION**

While in shallow water drive position, do not operate the outboard motor in Reverse. Operate the outboard motor at slow speed and keep the cooling water intake submerged.

ENOW00054-1A

### **! CAUTION**

Do not over tilt the outboard motor when driving in shallow water, or air may be sucked through water inlet potentially leading to engine overheating.

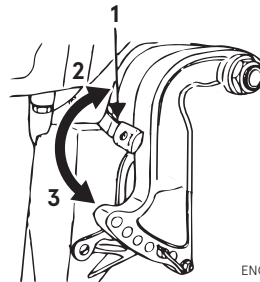


ENOF01144-A

- 1. Water inlet

## Manual tilt type

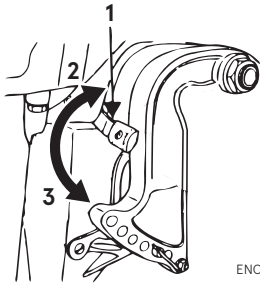
- 1. Shallow water running position:  
Put the reverse lock lever in the tilt up position, and tilt up the outboard motor to put the outboard motor in the shallow water running position.



ENOF00059-0

- 1. Reverse lock lever
- 2. Tilt down position
- 3. Tilt up position

- Return to normal running position:  
Put the reverse lock lever in the tilt down position, slightly lift up the outboard motor, and then put it down.



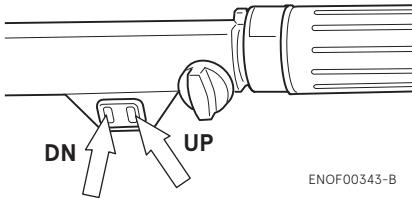
ENOF00059-0

- Reverse lock lever
- Tilt down position
- Tilt up position

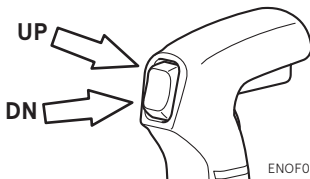
ENOM00069-A

### Power Tilt type

- Operate the Power Tilt switch and tilt the outboard motor up into desired shallow water running position.



ENOF00343-B



ENOF00067-2

# REMOVING AND CARRYING THE OUTBOARD MOTOR

ENOM00070-A

## 1. Removing the outboard motor

ENOW00006-1B

### WARNING

To avoid personal injury or damage of equipment, make sure the allowable lifting capacity of the hoist is at least twice the weight of the outboard motor.

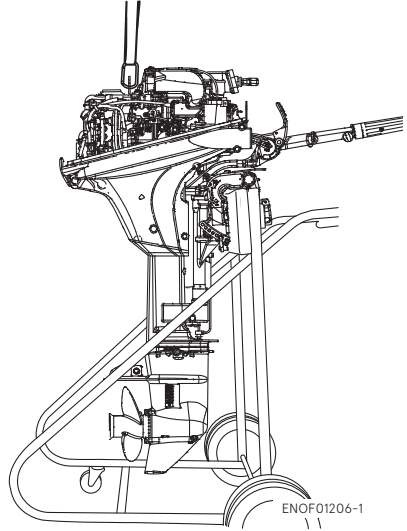
Do not allow the lift hook or chain from the hoist to come in contact with any part of the outboard motor during lifting.

ENOW00064-1

### CAUTION

Engine may be hot immediately after operation and could cause burns if came in contact. Allow engine to cool down before attempting to carry the outboard.

1. Stop the engine.
2. Remove the top cowl.
3. Disconnect the fuel connector, the remote control cables and the battery cords from the outboard motor.
4. Attach the hoist hooks to the engine hanger.
5. Remove the outboard motor from boat and completely drain the water from the gear case.



ENOM00071-A

## 2. Carrying the outboard motor

ENOW00933-0

### WARNING

Be sure to disconnect fuel connector except when operating engine.

Fuel leakage is a fire or explosion hazard, which can cause serious injury or death.

ENOW00065-1

### WARNING

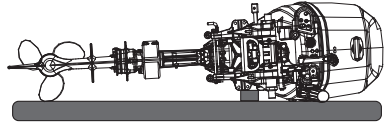
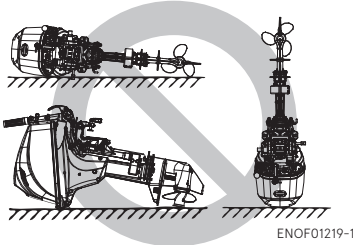
Close air vent screw on fuel tank before carrying or storing outboard motor and fuel tank, or fuel may leak, potentially catching fire.

ENOW00066-1

### CAUTION

- Do not give a shock to an outboard motor during transportation.
- Do not carry or store outboard motor in any of positions described below.

Otherwise, engine's exterior may be damaged or water may enter the cylinder through the exhaust port and cause engine problems.



ENOM00072-1A

### 3. Trailering

Keep the outboard motor in a vertical position when carrying.

The optional outboard motor stand is recommended for keeping the outboard motor vertical both during transport and storage.

ENOW00072-0

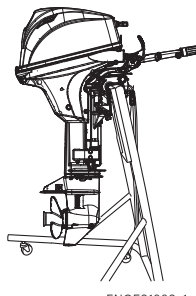
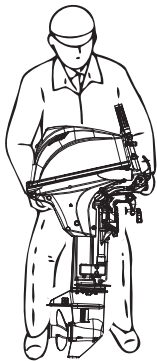
**CAUTION**

Trailering in the tilted position may cause damage to the outboard motor, boat, etc.

ENOW00073-A

**WARNING**

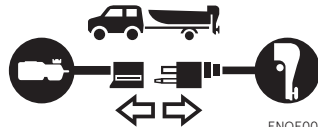
Be sure to disconnect fuel connector except when operating engine. Fuel leakage is a fire or explosion hazard, which can cause serious injury or death.



ENOM00021-3

**Note**

If the outboard motor must be laid down, be sure that fuel is completely drained, then lay the outboard motor with port side down on the cushion as shown in the drawing.



ENOW00068-0

**WARNING**

Close air vent screw of fuel tank and fuel cock before carrying or storing outboard motor and fuel tank, or fuel may leak, potentially catching fire.

ENOW00071-0

**CAUTION**

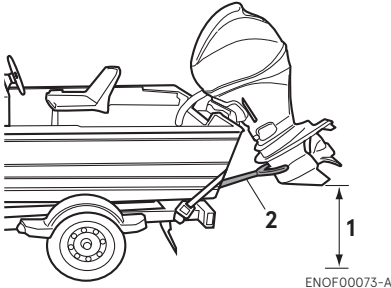
Do not use tilt stopper or lever when trailering the boat. Use only for holding the out-

**board motor in the fully tilted up while the boat is stored.**

When transporting a boat on a trailer with the outboard motor attached, disconnect the fuel line from the outboard motor beforehand and keep the outboard motor in the vertical or on a transom saver bar.

### Tiller handle type

While transporting outboard motor attached to the boat on a trailer, properly tighten the steering friction bolt to prevent the outboard motor from moving (page 57).



1. Ground clearance should be provided sufficiently.
2. Transom saver bar

ENOW00067-0

## **⚠ WARNING**

**Do not go under outboard motor tilted up even if it is supported by support bar, or accidental fall of outboard motor could lead to severe personal injury.**



# ADJUSTMENT

ENOM00073-0

## 1. Steering friction

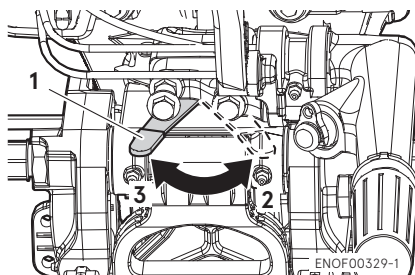
### Tiller handle type

ENOW00074-1

#### **! WARNING**

Do not overtighten the steering friction lever, it could result in difficult handling of the outboard motor, resulting in the loss of control causing an accident and could lead to severe injury.

Adjust this lever to achieve the desired steering friction (drag) on the tiller handle. Move lever towards (2) to decrease friction and move lever towards (3) to increase friction.



1. Steering friction lever
2. Decrease
3. Increase

ENOM00074-A

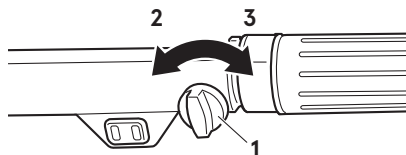
## 2. Throttle grip friction

ENOW00074-1B

#### **! WARNING**

Do not overtighten the throttle adjustment screw or it could result in difficult handling of the outboard motor, resulting in the loss of control causing an accident and could lead to severe injury.

Friction adjustment of the throttle grip can be made with the throttle adjustment screw.



ENOF00330-1

1. Throttle friction adjustment screw
2. Decrease
3. Increase

ENOM00075-0

## 3. Remote control lever friction

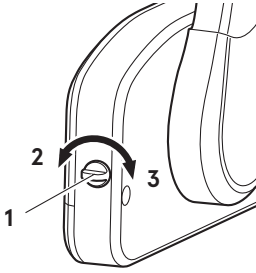
ENOW00074-1C

#### **! WARNING**

Do not overtighten the remote control throttle friction adjustment screw or it could result in difficult handling of the outboard motor, resulting in the loss of control causing an accident and could lead to severe injury.

To adjust the friction of the remote control lever, turn the throttle friction adjustment screw on the front of the remote control. Turn clockwise to increase the friction and counter-clockwise to decrease it.

### Side mount type



ENOF00078-2

1. Throttle friction adjustment screw
2. Decrease
3. Increase

## INSPECTION AND MAINTENANCE

ENOM00077-1

### Care of your outboard motor

To keep your outboard motor in the best operating condition, it is very important that you perform daily and periodic maintenance as suggested in the maintenance schedules as follows.

ENOW00077-1

#### CAUTION

- **Your personal safety and that of your passengers depends on how well you maintain your outboard motor. Carefully read all of the inspection and maintenance procedures described in this section.**
  - **The maintenance intervals shown in the checklist apply to an outboard motor in normal use. If you use your outboard motor under severe conditions such as frequent full-throttle operation, frequent operation in brackish water, or for commercial use, maintenance should be performed at shorter intervals. If in doubt, consult your dealer for advice.**
  - **We strongly recommend that you use only genuine replacement parts on your outboard motor. Damage to your outboard motor arising from the use of other than genuine parts is not covered under the warranty.**
-

ENOM00322-1

## 1. Daily Inspection

Perform the following checks before and after use.

ENOW00078-1

### WARNING

**Do not use outboard motor if any abnormality is found during pre-operation check otherwise it could result in severe damage to the motor or severe personal injury.**

Item	Points to Check	Remedy
Fuel System	<ul style="list-style-type: none"> <li>Check the amount of fuel in the tank.</li> <li>Check for debris or water in the fuel filters.</li> <li>Check the rubber hoses for fuel leakage.</li> </ul>	Replenish Clean or replace if necessary Replace if necessary
Fuel Tank Cap	<ul style="list-style-type: none"> <li>Check for crack, leakage, damage in the fuel tank cap.</li> <li>Check for crack, damage in the gasket.</li> <li>Check for leakage at full close.</li> </ul>	Replace if necessary Replace if necessary Replace if necessary
Engine Oil	<ul style="list-style-type: none"> <li>Check the oil level.</li> </ul>	Fill oil
Electrical Equipment	<ul style="list-style-type: none"> <li>Check that the main switch functions normally.</li> <li>Check that the battery electrolyte level and specific gravity are normal.</li> <li>Check for loose connections on the battery terminal.</li> <li>Check that the stop switch functions normally and make sure the stop switch lock is secured.</li> <li>Check cords for loose connections and damage.</li> <li>Check the spark plugs for dirt, wear and carbon build-up.</li> <li>Check the warning LED lamp (ON for 5 to 7 secs.) when start up.</li> </ul>	Replace if necessary Replenish or recharge Retighten Remedy or replace if necessary Correct or replace if necessary Clean or replace if necessary Repair
Recoil starter	<ul style="list-style-type: none"> <li>Check the rope for wear and chafing.</li> <li>Check the ratchet engagement.</li> </ul>	Replace if necessary Replace if necessary
Clutch and Propeller System	<ul style="list-style-type: none"> <li>Check that clutch engages correctly when operating the shift lever.</li> <li>Visually Check propeller for bent or damaged blades.</li> <li>Check the propeller nut is tightened and the split pin is in correct position.</li> </ul>	Adjust Replace if necessary Tighten or replace
Installation of Motor	<ul style="list-style-type: none"> <li>Check all the bolts attaching the motor to the boat.</li> <li>Check the thrust rod installation.</li> </ul>	Tighten Replace if necessary
Power Tilt	<ul style="list-style-type: none"> <li>Check working of the tilt up and down of the motor.</li> </ul>	Repair
Cooling Water	<ul style="list-style-type: none"> <li>After starting the outboard motor, make sure that water is being discharged from the cooling water check port.</li> </ul>	Repair
Tools and Spares	<ul style="list-style-type: none"> <li>Check that there are tools and spare parts for replacing spark plugs, the propeller, etc.</li> <li>Check that you have the spare rope and stop switch lock.</li> </ul>	Order Order

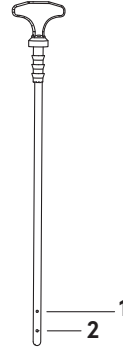
Item	Points to Check	Remedy
Steering Devices	· Make sure that steering handle and remote control is functioning normally.	Repair
Other parts	· Check if the anode is securely installed. · Check the anode for corrosion and deformation.	Repair if necessary Replace

ENOM00081-D

### Oil level checking

If the oil level is low, or too high, the life of the engine will be shortened significantly.

1. Place the engine in a vertical position.
2. Remove the top cowl.
3. Remove the dipstick.
4. Wipe oil off the dipstick with a clean cloth.
5. Insert the dipstick to the hole completely.
6. Remove the dipstick again. Check the oil level on the dipstick. Oil level must be between the upper limit and lower limit shown on the dipstick.
7. Return the dipstick.



ENOF01240-0

1. Upper limit
2. Lower limit

ENON00024-0

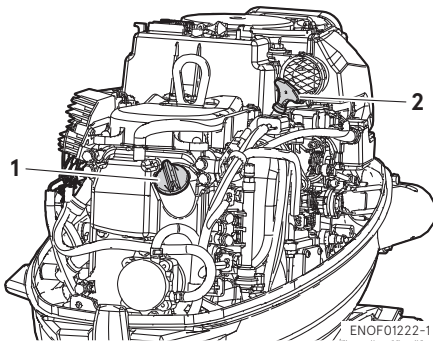
#### Note

The oil level should be checked when the engine is cooled.

ENON00025-0

#### Note

Consult with an authorized dealer if the engine oil is milky color, or appears contaminated.



ENOF01222-1

1. Filler cap
2. Dipstick

ENOM00082-A

### Engine oil replenishing

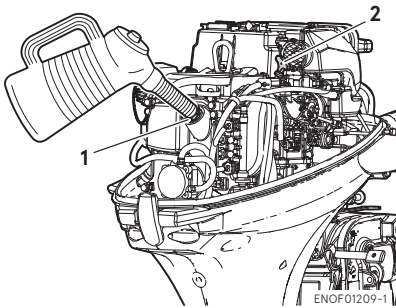
ENOW00079-A



- Do not add engine oil of brand and grade other than existing one. In case engine oil of other brand or grade is added, drain all oil and ask dealer for treatment.
- In case other than engine oil such as gasoline is put in the oil chamber, empty the chamber and ask dealer for treatment.

- When replenishing engine oil, be careful not to allow entry of foreign matters such as dust and water into oil chamber.
- Wipe off engine oil well immediately if spilled and dispose of it in accordance with local fire prevention and environment protection regulations.
- Do not replenish engine oil over upper limit. If overfilled, remove oil to upper limit. If engine oil is over the upper limit, it can leak potentially leading to engine damage.

If the oil level is low, or at lowest mark, add recommended oil to the middle dipstick mark.



- 1. Filler port
- 2. Dipstick

10

ENOM00083-B  
**Washing outboard motor**

ENOW00920-0

**CAUTION**

When washing the outboard motor, be careful not to spray the water inside of the top cowl, especially electrical components.

ENON00026-0  
**Note**

It is recommended to check chemical properties of water on which your outboard motor is regularly used.

If outboard motor is used in salt water, brackish water or water with high acidic level, use fresh water to remove salt, chemicals or mud. And flush cooling water passage after every use or before storing outboard motor for long time. Before flushing, remove the propeller and the forward thrust holder.

ENOM00085-E  
**Flushing hose joint**

ENOW00921-0

**CAUTION**

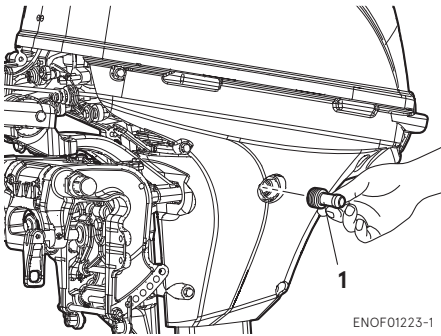
Do not operate the engine when flushing the outboard motor with a hose joint as this can cause damage to the outboard motor.

ENOW00922-0

**CAUTION**

To prevent the engine from starting when you are near the propeller, remove the stop switch lock.

1. Tilt down the outboard motor.
2. Remove the flushing connector cap from the outboard motor, and screw in the hose joint.
3. Connect a water hose. Turn on the water and adjust the flow. Continue flushing the outboard motor for 3 to 5 minutes
4. After the flushing, be sure to reattach the flushing connector cap.
5. Tilt up the outboard motor.



1. Hose joint (except US and Canada)

ENOM00085-A

**Flushing by test tank**

ENOW00081-1

**! WARNING**

Do not start engine without removing propeller, turning propeller out in the open may lead to personal injury.

ENOW00082-0

**! WARNING**

Never start or operate the engine indoors or in any space which is not well ventilated. Exhaust gas contains carbon monoxide, a colorless and odorless gas which can be fatal if inhaled for any length of time.

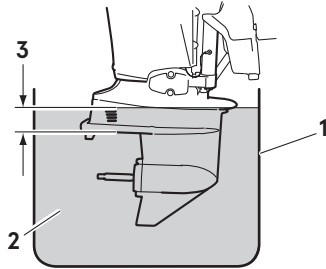
ENOW00036-1A

**! CAUTION**

When starting the outboard motor in the test tank, make sure that:

1. Water level is at least 10 cm (4 in.) above the anti-ventilation plate to avoid overheating of the engine.
2. Run at idling only
3. Remove the propeller

(See page 74)



1. Test tank
2. Water
3. Over 10 cm (4 in.)

ENOM01903-A

**Gear case flushing device**

ENOW00082-0

**! WARNING**

Never start or operate the engine indoors or in any space which is not well ventilated. Exhaust gas contains carbon monoxide, a colorless and odorless gas which can be fatal if inhaled for any length of time.

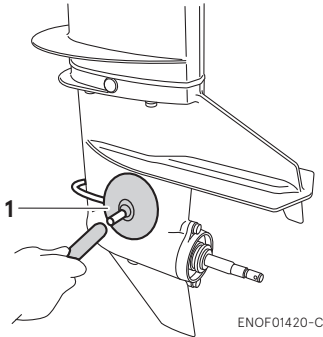
ENOW00986-0

**! CAUTION**

Never leave the outboard motor unattended while running on the flushing device. When the flushing device slip off from the gear case, the engine will overheat and may cause serious damage.

1. Fully tilt down the outboard motor.
2. Remove the propeller.
3. Install the gear case flushing device on gear case so that the rubber cups cover the cooling water inlets tightly.

4. Connect a water hose to the flushing devise and turn on the water and adjust the flow so that excess water continues leaking out from around the rubber cups to ensure the engine is receiving an adequate supply of cooling water.



1. Gear case flushing device
5. Place the shift lever in the neutral position and start the engine and run at idle speed for 3-5 minutes.
6. Check if a steady stream of water flows from the cooling water check port.
7. Stop the engine and turn off the water. Remove the flushing devise. Install the propeller.
8. Leave the outboard motor in vertical position to completely drain the cooling water from the outboard motor.

ENOM00950-1

## Fuse replacement

ENOW00923-1

### ⚠ CAUTION

**Before replacing a fuse, disconnect the battery cable from the battery negative (-) terminal first. Failure to properly remove battery cables may cause a short-circuit.**

ENOW00924-0

### ⚠ CAUTION

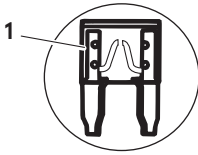
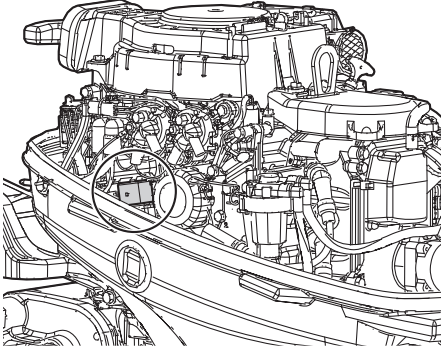
**Never use a fuse with a rating that exceeds the specified rating as this could cause serious damage to the electrical system.**

If the fuse has blown, try to determine the cause and respond to the problem as simply replacing the fuse will likely blow again. If you are unable to respond to the cause or the fuse continues to blow, request an authorized Tohatsu dealer for inspection.

1. Stop the engine and disconnect the battery cable from the battery negative (-) terminal.
2. Remove the engine cover.
3. Remove the fuse box lid.



4. Remove the fuse and check it. If the fuse is blown, replace it with a fuse of the same specified rating. The outboard motor is supplied with spare fuses in the spare fuse holder.



ENOF01224-1

1. Blown fuse

ENOM01106-1

## 2. Periodic Inspection

It is important to inspect and maintain your outboard motor regularly. Make sure to perform each service at interval specified in the chart below. Maintenance intervals are determined by the number of hours outboard motor has been used or number of months, whichever comes first.

Recode inspection performed in the INSPECTION & MAINTENANCE LOG at the back of this manual.

Description		Inspection intervals					Inspection procedure	Remarks
		First 20 hours or 1 month	Every 50 hours or 3 months	Every 100 hours or 6 months	Every 200 hours or 1 year	Every 400 hours or 2 year		
Fuel System	Fuel filter			●/○			Check and clean/Replace if necessary	Refer to P71
	High pressure fuel hose*1	●/○	●/○				Check/Replace if necessary	
	Fuel filter (Vapor separator)*1					○	Check, clean or replace if necessary	
	Fuel tank	●/○	●/○				Check and clean	
	Fuel tank cap	●/○	●/○				Check /Replace if necessary	
	Fuel pump*1					○	Check /Replace if necessary	
	Fuel pressure*1				○		Check	
	Hose*2	●/○	●/○				Check /Replace if necessary	
Ignition System	Spark plug			●			Check and clean/Replace if necessary	Gap (0.80-0.9mm) Refer to P75
	Spark plug cap /High tension cord*1	○		○			Check /Replace if necessary	
Starting System	Starter rope*2	●/○	●/○				Check /Replace if necessary	
	Starter motor*1				○		Check	
	Battery /Cable connection*1	○	○				Check	
Engine	Engine oil	● Replace		● Replace			Replace	Approx.1.0L Oil filter replace 1.2L Refer to P68
	Oil filter (4 stroke)*1				○ Replace		Replace (Every 200 hours or 2 years)	
	Valve clearance*1				○		Check and adjustment	IN : 0.13-0.17mm EX : 0.18-0.22mm
	Timing belt*1				○		Check and replace if necessary	
	Idling speed*1	●/○	●/○				Check	
	Compression pressure*1				○		Check	
	Combustion chamber*1					○	Check	
	Thermostat*1				○		Check	
Lower Unit	Propeller	●	●				Check and replace if necessary	Refer to P74
	Shear pin/Split pin	●	●				Check and replace if necessary	Refer to P74
	Gear oil	● Replace	●	● Replace			Check and replace	Approx. 465mL Refer to P72
	Water strainer	●	●				Check	
	Water pump impeller*2		●/○		○ Replace		Check/Replace if necessary	
	Water pump housing*1					○	Check and replace if necessary	

Description		Inspection intervals					Inspection procedure	Remarks
		First 20 hours or 1 month	Every 50 hours or 3 months	Every 100 hours or 6 months	Every 200 hours or 1 year	Every 400 hours or 2 year		
Shift/ Throttle	Throttle cable			○			Check and replace if necessary	
	Throttle link*1	○	○				Check and adjustment	
	Shift cable		○				Check and replace if necessary	
	Shift link*1	○	○				Check and adjustment	
Other	Power trim & Tilt	●/○		●/○			Check /Replenish	Refer to P78
	Warning system*1		○				Check	
	Stop switch	●	●				Check	
	Meters	○	○				Check	
	Bolt, nut	○	○				Retighten	
	Sliding part /rotation part	●	●				Apply grease	Refer to P80
	Grease nipple	●	●				Pump in grease	Refer to P80
	Outer equipment	●	●				Check	
	Anode (engine)			○			Check and replace if necessary	Refer to P77
Anode (except for engine)		●/○				Check /Replace if necessary	Refer to P77	
Top cowl/Latch				●/○		Check / Adjustment		

\*1"●" This procedure can be performed by end user (or dealer)

\*2"○" This procedure shall be carried out by the dealer.

Outboards used in rental, commercial, or other under severe condition as described below in detail require more frequent inspections and maintenance than shown in this manual.

- Continuous operation at maximum engine speed
- Continuous operation at idling or trolling speed
- Operation without appropriate warm up
- Stopping without sufficient time for the engine to cool down
- Frequent sudden acceleration and sudden deceleration
- Frequent stop and start operation
- Frequent shifting operation
- Frequent operation in acidic, polluted, muddy, sandy, or shallow water

Appropriate maintenance can prolong your engine life.

Consult your Tohatsu authorized dealer for suitable maintenance interval depending on operating and environmental conditions.

ENOM00091-A

**Engine oil replacement**

ENOW00091-1

**⚠ CAUTION**

You may be injured due to high engine temperatures if you fill engine oil just after operation. Engine oil should be changed after the engine has been cooled.

ENOW00092-1

**⚠ CAUTION**

- Do not overfill engine oil, or engine oil could leak and/or engine could be damaged. If engine oil level is over upper limit marks of dip stick, drain oil to level lower than upper limit.
- Be sure that outboard motor is upright when checking or changing oil.
- Stop the engine immediately if low oil pressure warning lamp or oil leak is found, or engine could be severely damaged. Consult your dealer.
- Wipe off engine oil well immediately if spilled and dispose of it in accordance with local fire prevention and environment protection regulations.

ENOW00090-0

**⚠ CAUTION**

Use of engine oils that doesn't meet these requirements will result in reducing engine life, and other engine problems.

ENOW00933-0

**⚠ CAUTION**

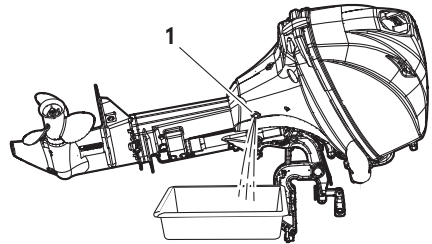
Engine oil mixed with dust or water will dramatically shorten the life of the engine.

ENOM00565-0

**To change engine oil:**

Be sure to use recommended engine oil.

1. Stop the engine and leave it in a vertical position over 5 minutes.
2. Tilt up the outboard motor and lock the tilt with the tilt stopper.
3. Turn the steering on the outboard motor so that the oil drain bolt is facing downward.
4. Put an oil drain pan under the oil drain bolt.
5. Remove the oil drain bolt and completely drain oil from the engine.



ENOF01225-1

1. Drain hole
6. Apply oil on the sealing surface of the drain bolt. Tighten the bolt with a new gasket.

Oil drain bolt specified torque  
**24N·m (17 ft·lb, 2.4 kgf·m)**

ENON00028-A

**Note**

If a torque-wrench is not available when you are fitting a oil filter, a good estimate of the correct torque is 3/4 to 1 a turn past finger-tight. Have the oil filter adjusted to the correct torque as soon as possible with a torque-wrench.

7. Tilt down the engine in a vertical position.
8. Repeat 2 to 7 procedures two or three times to drain the trapped oil completely.

9. Pull the bottom of cowl latch to unlock, lift and remove the top cowl.
10. Fill the engine through the filler port with the recommended oil to between the upper and lower limit mark on the dipstick.
11. Tighten the oil filler cap.
12. Leave the outboard motor for 5 minutes and check oil level on the dipstick. Add oil if necessary
13. Insert the dipstick to the hole completely and install the top cowl.
14. Start the engine and idling for 5 minutes, then check for no oil leaks and no warning indicate.

ENON00920-0

**Note**

Use only recommended engine oil (See page 31)

Oil volume needed for complete oil replacement	
With oil filter replacement	Without oil filter replacement
Approximately 1200 mL (40.6 fl.oz.)	Approximately 1000 mL (33.8 fl.oz.)

ENOW00925-0

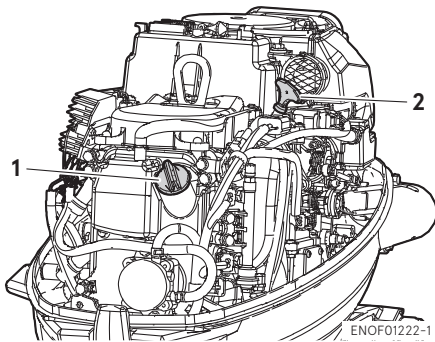
**⚠ CAUTION**

**Wipe off engine oil well immediately if spilled and dispose of it in accordance with local fire prevention and environment protection regulations.**

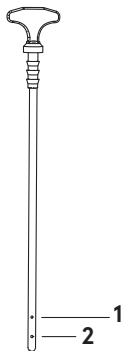
ENON00031-0

**Note**

- If any amount of water is found in engine oil, making it milky white, consult dealer.
- If engine oil is contaminated with fuel, emitting strong fuel smell, consult dealer.
- Some oil dilution is normal if engine is idled or trolled for long periods, especially in cooler water temperatures.



1. Filler cap
2. Dipstick



1. Upper limit (Max.)
2. Lower limit (Min.)

ENOM00092-B

### Oil filter replacement

ENOW00091-1

**⚠ CAUTION**

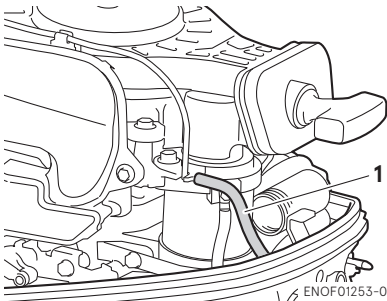
**You may be injured due to high engine temperatures if you fill engine oil just after operation. Engine oil should be changed after the engine has been cooled.**

ENOW00926-0

**⚠ CAUTION**

**Wipe off engine oil well immediately if spilled and dispose of it in accordance with local fire prevention and environment protection regulations.**

1. Drain oil from the engine.
2. Place a rag or towel below the oil filter to absorb any spilled oil.
3. Tilt up the outboard motor and lock the tilt with the tilt stopper.
4. Turn the steering on the outboard motor so that the oil filter is facing upward.



1. Hose
5. Disconnect the hose from the coil bracket. Put an oil drain pan under the hose end.
6. Unscrew old filter by turning the filter to counter-clockwise.

7. Clean the mounting base and the hose. Connect the hose to the coil bracket. Apply film of clean oil to O-ring.

Do not use grease.

Install oil filter and tighten it to specified torque by using oil filter wrench.

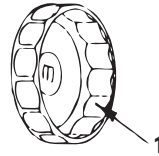
Oil filter torque:

**18 N·m (13 ft·lb, 1.8 kgf·m)**

ENON00028-A

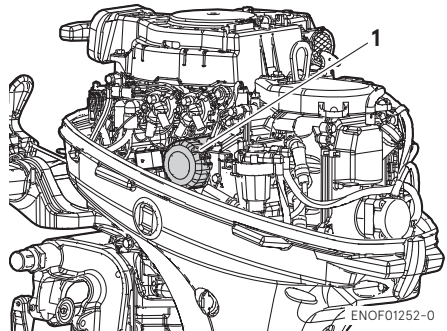
**Note**

If a torque-wrench is not available when you are fitting a oil filter, a good estimate of the correct torque is 3/4 to 1 a turn past finger-tight. Have the oil filter adjusted to the correct torque as soon as possible with a torque-wrench.



ENOF00094-0

1. Oil filter wrench  
P/N 3AC-99090-0  
P/N 3AC99090M  
(US. CANADA Only)



1. Oil filter

ENOM00093-A

**Fuel filters and fuel tank cleaning**

ENOW00093-1

**WARNING**

Gasoline and its vapor is very flammable and can be explosive.

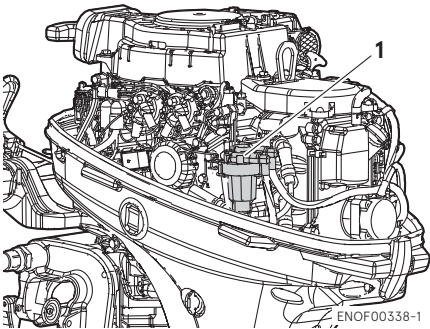
- Do not start this procedure while engine is operating or while engine is hot.
- Place fuel filter away from every source of ignition such as sparks or open flames.
- If gasoline is spilled, wipe up immediately and dispose according to the local regulations.
- Install fuel filter with all related parts in place, or fuel leak could occur, leading to catching fire or explosion.
- Check fuel system regularly for leakage.
- Contact authorized dealer for fuel system services. Services by unqualified person could lead to engine damage.

Fuel filters are provided inside the fuel tank and engine.

ENOM00094-0

**Fuel filter (for engine)**

1. Check the cup for water and debris.

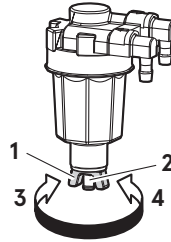


1. Fuel filter

**■ In case of water entry**

1. Prepare a container under the outlet of the fuel filter.

2. Loosen the drain screw of the fuel filter.
3. Squeeze the primer bulb several times. After the water is drained, stop squeezing.
4. Tighten the drain screw securely and confirm there is no fuel leaking.

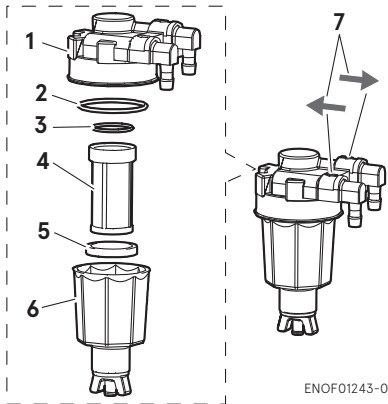


ENOF01242-1

1. Drain screw
2. Drain port
3. Loosen
4. Tighten

**■ In case of debris**

1. If present, disconnect hoses from the fuel connector (male) and the fuel pump.
2. Remove the cup, filter and O-rings from the fuel filter body.
3. Check the wear and clogging for each parts, and replace if necessary.
4. Remove fuel and any water or debris from the cup, filter and hoses.
5. Reassemble all parts.



1. Body
2. O-ring
3. O-ring
4. Filter
5. Float
6. Cup
7. Indicate of Fuel Flow

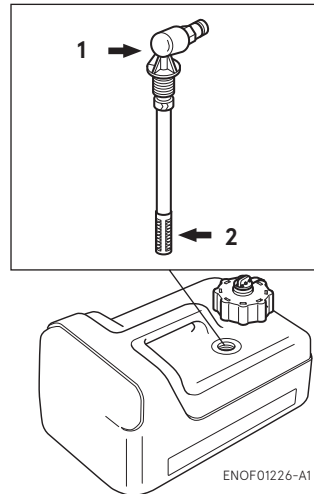
ENOM00096-A

### Fuel filter (for fuel tank)

Water or dirt in the fuel tank will cause engine performance problems.

Check and clean the tank at specified times or after the outboard motor has been stored for a long period of time (over three months).

1. Remove the fuel pickup elbow of the fuel tank by turning it counterclockwise
2. Clean the fuel filter and check the O-ring. Replace it if necessary.
3. Reassemble all parts.



1. Fuel pick up
2. Filter

ENOM00098-A

### Gear oil replacement

ENOW00076-1

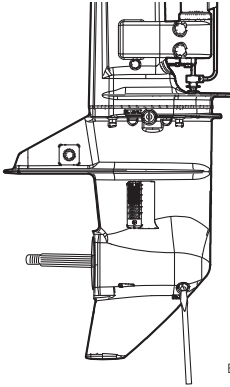
#### WARNING

- Be sure that the outboard motor is secured to transom or service stand, or accidental drop or fall of outboard motor could lead to severe personal injury.
- Be sure to lock the outboard motor in the tilt up position, or accidental fall of outboard motor could lead to severe personal injury.
- Do not go under outboard motor in the tilt up position and locked, or accidental fall of outboard motor could lead to severe personal injury.

1. Tilt down the outboard motor.



2. Remove the oil plugs (lower and upper), and completely drain the gear oil into a pan.



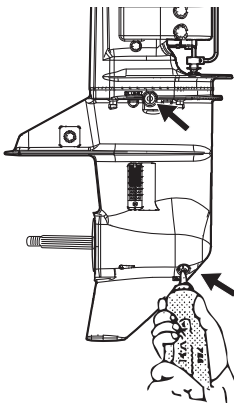
ENOF01244-0

3. Insert the oil tube nozzle into the lower oil plug hole, and fill with gear oil by squeezing the oil tube until oil flows out of the upper plug hole and bubbles disappear to remove the air.

ENON00033-1

**Note**

Use genuine gear oil or the recommended one (API GL-5: SAE #80 to #90). Required volume: approx. 465 mL (15.7 fl.oz.).



ENOF01245-0

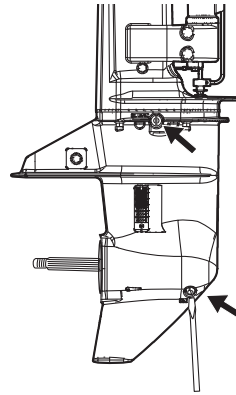
4. Install the upper oil plug, and then remove oil tube nozzle and install the lower oil plug.

Oil plug specified tightening torque  
**4N·m (3 ft·lb, 0.4 kgf·m)**

ENOW00095-0

 **CAUTION**

Do not reuse oil plug gasket. Always use new gasket and tighten oil plug properly to prevent entry of water into lower unit.



ENOF01246-0

ENOW00928-1

 **CAUTION**

If gear oil is spilled, wipe off immediately and dispose according to the local regulations.

ENON00032-1

**Note**

If the gear oil color appears to be milky color, contact your dealer.

ENOM00086-A

**Propeller replacement**

ENOW00084-1

**WARNING**

- Do not install or remove propeller on the outboard motor with spark plug caps attached, shift in forward or reverse, main switch at other than "OFF", engine stop switch lock attached to the switch, and starter key attached, or engine could accidentally start leading to serious personal injury. Disconnecting battery cable is recommended (if equipped).
- The propeller edge is thin and sharp. Wear the gloves while installing or removing to protect your hands.

ENOW00086-1

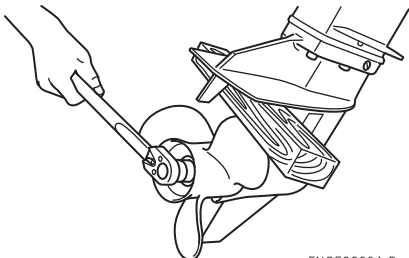
**CAUTION**

- Do not install propeller without thrust holder, or propeller boss could be damaged.
- Do not reuse split pin.
- After installing split pin, spread bend both end of the pin apart to lock propeller in place.

A worn-out or bent propeller will lower the motor's performance, and cause engine trouble.

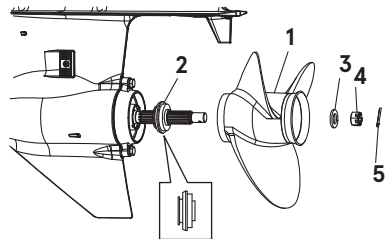
**10**

1. Put a piece of wood block between propeller blade and anti-ventilation plate to hold propeller.



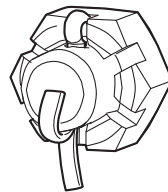
ENOF00084-B

2. Remove the split pin, propeller nut and washer.
3. Remove the propeller and thrust holder.
4. Apply waterproof grease to the propeller shaft before installing a new propeller.
5. Install the thrust holder, propeller, stopper, washer and propeller nut onto the shaft.



ENOF00084-C

1. Propeller
  2. Thrust holder
  3. Washer
  4. Propeller nut
  5. Split pin
6. Tighten the propeller nut to specified torque and align one of the grooves with to propeller shaft hole.  
Propeller nut torque:  
**12 N·m (9 ft·lb, 1.2kgf·m)**
  7. Install a new split pin into the nut hole and bend both ends of pin apart to lock propeller in place.



ENOF00084-E

ENOW00086-0

**CAUTION**

- Do not install propeller without thrust holder, or propeller boss could be damaged.
- Do not reuse split pin.
- After installing split pin, spread the pin apart to prevent it from falling out which could lead to the propeller coming off during operation.

ENOM00087-A

**Spark plugs replacement**

ENOW00087-1

**WARNING**

- Do not reuse spark plug, if the insulation is damaged or sparks can leak through crack, potentially leading to electric shock, explosion and/or fire.
- Do not touch spark plug(s) immediately after stopping engine as they will be hot and could cause severe burns if touched.

ENOW00929-0

**CAUTION**

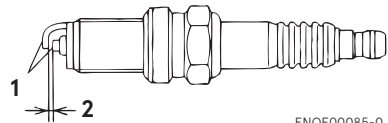
Use only the recommended spark plugs. Spark plugs which have an different heat range may cause engine damage.

If the spark plug(s) is fouled, has carbon build up, or is worn, it should be replaced.

When reusing spark plugs, remove dirt from the electrodes and check the spark plug gap.

1. Stop the engine.
2. Remove the top cowl.
3. Remove the spark plug caps.

4. Remove the spark plugs by turning it counter-clockwise, using a 5/8" (16 mm) socket wrench and handle that are provided in the tool bag.
5. Inspect the spark plug. Replace the spark plug with wear on electrodes and if the insulators are cracked or chipped.
6. Measure the spark plug gap with a wire type feeler gauge. The gap should be 0.8-0.9 mm (0.031-0.035 inches). If the gap is out of specification, replace the spark plug with a new one  
Use spark plug NGK DCPR-6E.



ENOF00085-0

1. Electrode
  2. Spark gap (0.8-0.9 mm, 0.031-0.035 in)
7. Install the spark plug by hand and turn it carefully to avoid cross-threading.

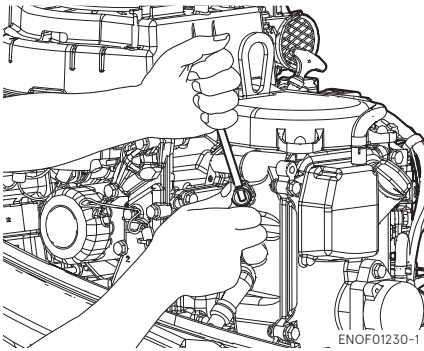
8. Tighten the spark plug to the specified torque.

ENON00028-2A

**Note**

- **Spark plug torque:**  
**18 N·m (13 ft·lb) [1.8 kgf·m]**

If a torque-wrench is not available when you are installing a new spark plug, tighten it 1/4 to 1/2 a turn past finger-tight. If reusing a spark plug, tighten 1/12 a turn past finger tight. Have the spark plug adjustment to the correct torque as soon as possible with a torque-wrench.



ENOM00088-1A

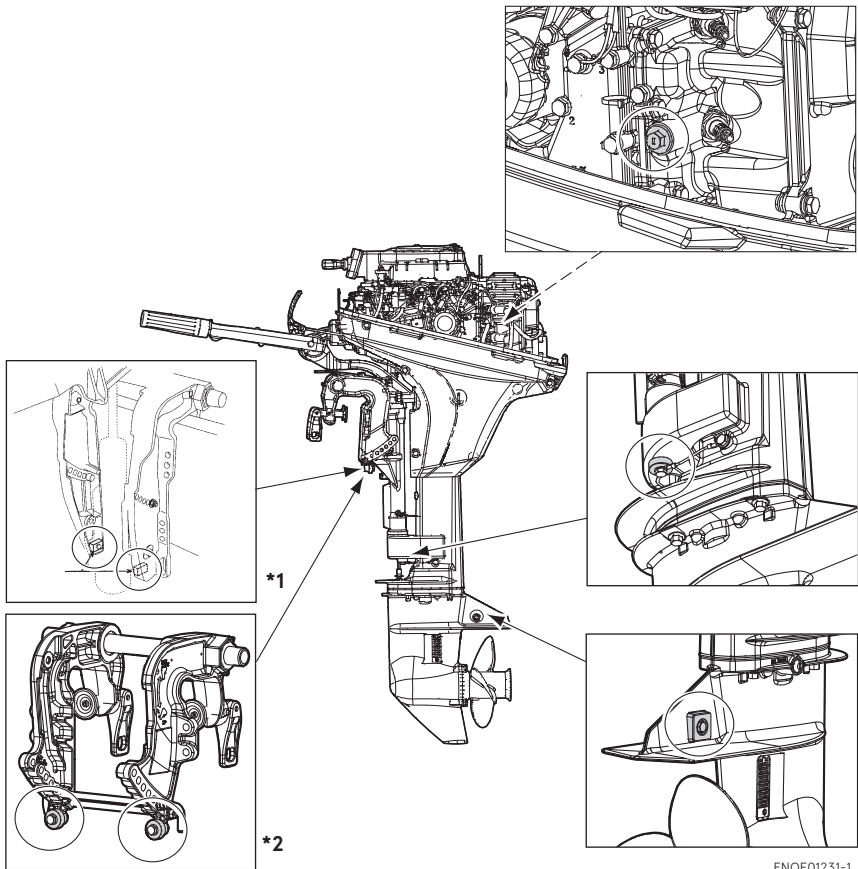
## Anode replacement

A sacrificial anode protects the outboard motor from galvanic corrosion. Anode is located on the gear case, cylinder etc.. When the anode is eroded more than 1/3 of original size, replace it.

ENON00029-1

### Notes

- Never grease or paint the anode.
- At each inspection, re-tighten all the anode attaching bolts. Those bolts may loosen if the anodes are corroded.



ENOF01231-1

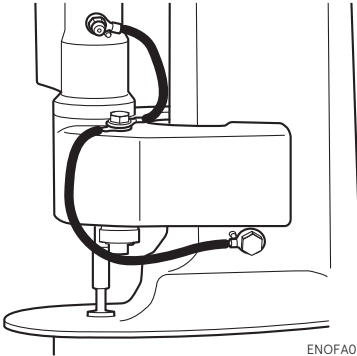
\*1 : PT model

\*2 : Manual tilt model

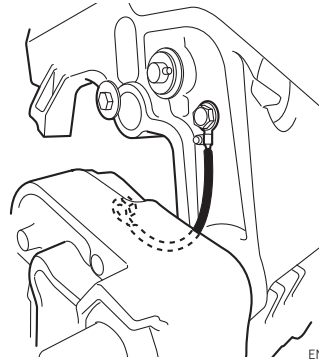
ENOM01827-0

### Ground wire checking

The ground wires described below are making electrically connection between moving parts and sacrificial anodes to prevent galvanic corrosion. Inspect the wires and their terminals periodically. If there is any damage, replace the ground wire.



ENOFA0003-1



ENOFA0005-1

PT model only

ENOM00089-B

### Power Tilt oil checking

ENOW00088-0

#### **WARNING**

- Be sure that outboard motor is secured to transom or service stand, or accidental drop or fall of outboard motor could lead to severe personal injury.
- Be sure to lock outboard motor if it is tilted up, or accidental fall of outboard motor could lead to severe personal injury.
- Do not go under outboard motor tilted up and locked, or accidental fall of outboard motor could lead to severe personal injury.

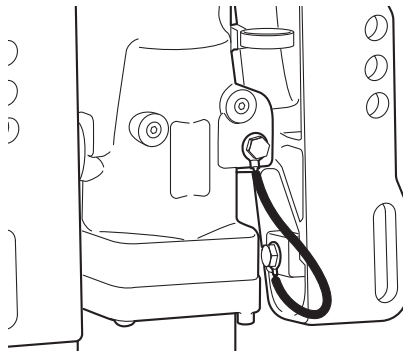
ENOW00089-A

#### **CAUTION**

**Do not unscrew the oil cap with the outboard motor tilted down. Pressurized oil in the oil tank may spurt out.**

Check the oil level in the reservoir tank while the tank is kept in a vertical position.

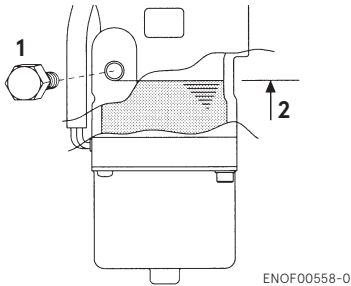
1. Tilt the outboard motor up and lock the tilt with the tilt stopper.



ENOFA0004-1

PT model only

- Remove the oil cap by turning counter-clockwise, then check if the oil level reaches the bottom line of the plug hole.



- Oil cap
- Oil level

### Recommended oil

Use automatic transmission fluid or equivalent.

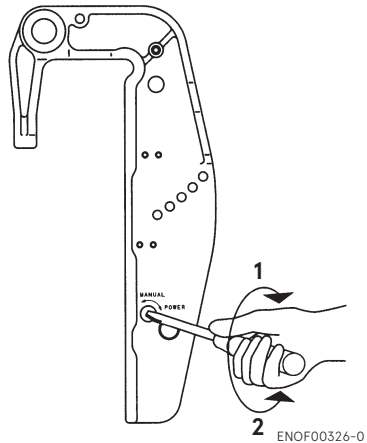
Recommended oil is as shown below.

### ATF Dexron III

### Air purging from the Power Trim and Tilt unit.

Trapped air in the Power Tilt unit will cause poor tilting movement and noise.

- With the outboard motor installed on the boat, set the manual release valve to the Manual side, and tilt the outboard motor up/down manually 5-6 times.
- When done, close the valve by turning it clockwise.



- POWER
- MANUAL

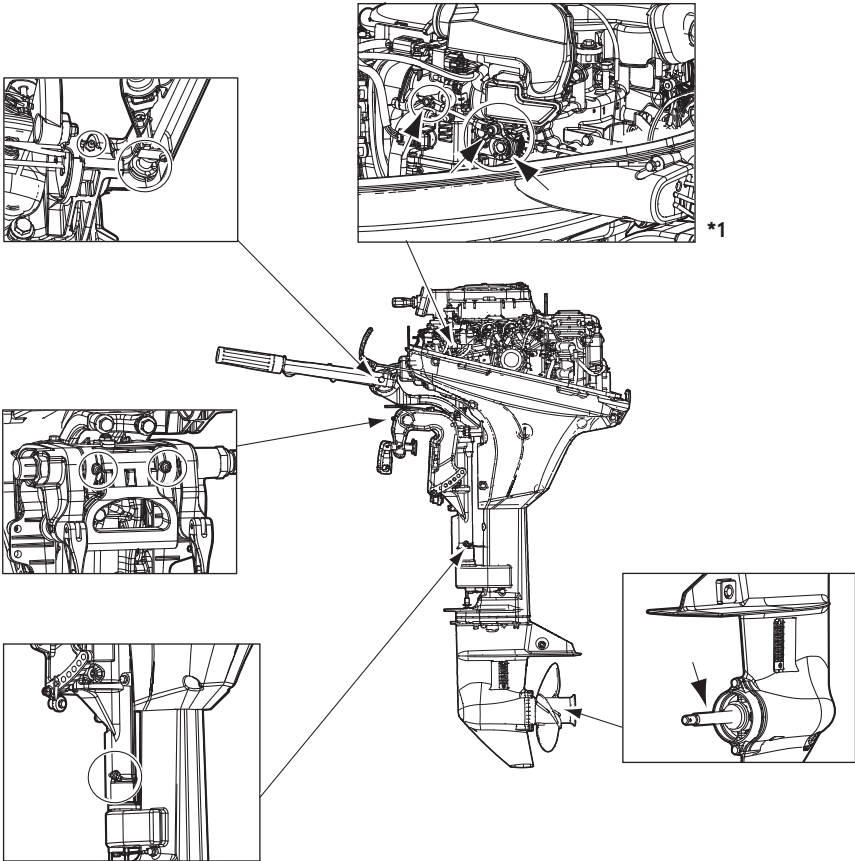
Manual relief valve specified tightening torque

**2 N·m (1.5 ft·lb, 0.2 kgf·m)**

ENOM00960-0

### Grease point

Apply waterproof grease to the parts shown below.



\*1 : Other side.

ENOF01232-1



ENOM00100-A

### 3. Off-season storage

ENOW00934-0

#### WARNING

- **Be sure to disconnect fuel connector except when operating engine.**
- **Fuel leakage is a fire or explosion hazard, which can cause serious injury or death.**

ENOW00097-0

#### WARNING

**Be sure to use cloth to remove fuel remaining in the cowl and dispose of it in accordance with local fire prevention and environment protection regulations.**

ENOW00096-0

#### CAUTION

**Before servicing the motor for storage:**

- **Remove the battery cables.**
- **Remove the spark plug caps from the spark plugs.**
- **Do not run the motor out of the water.**

Before you put your outboard motor in storage, it is a good opportunity to have it serviced by your dealer.

Be sure to use fuel stabilizer while running the motor before storage. (See page 82)

ENOM00101-1A

### Engine

1. Wash the engine exterior and flush the cooling water system thoroughly with fresh water. Drain the water completely.  
Wipe off water with a cloth.
2. Remove the fuel hose from the outboard motor.

3. Drain all fuel from the fuel hoses, fuel pump, fuel filter (See 71) and vapor separator (See 82), and clean these parts.

Keep in mind that if gasoline is kept in the vapor separator for a long time, gum and varnish will be developed, causing the float valve to stick, restricting the fuel flow.

4. Remove the spark plugs and put a teaspoon of engine oil or spray storage oil into the combustion chamber through the spark plug holes.
5. Turn the starter motor several times to lubricate inside the cylinder. Remove the fuel hose from the outboard motor.

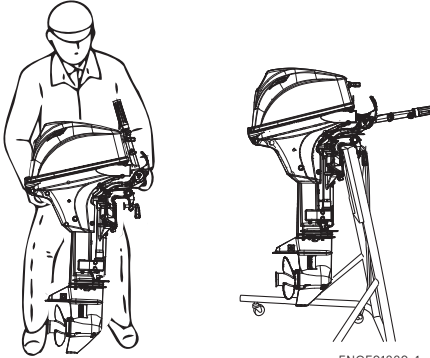
ENOW00930-1

#### WARNING

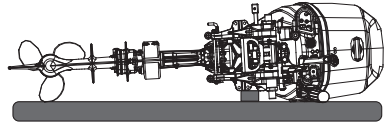
- **Be sure to remove stop switch lock to prevent the spark plugs from igniting.**
- **Put a cloth to spark plug hole and wipe up any spilled engine oil, when cranking the outboard motor.**

6. Change the engine oil (See page 68).
7. Change the gear oil in the gear case (See page 72).
8. Apply grease to grease point (See page 80).

9. Place the outboard motor in the vertical position under a dry condition.



ENOF01220-1



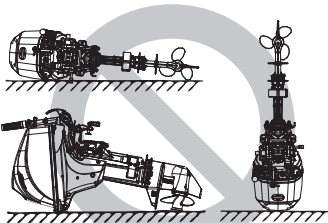
ENOF01221-1

ENOW00066-1

**CAUTION**

- Do not give a shock to an outboard motor during transportation.
- Do not carry or store outboard motor in any of positions described below.

Otherwise, engine's exterior may be damaged or water may enter the cylinder through the exhaust port and cause engine problems.



ENOF01219-1

ENON00021-3

**Note**

If the outboard motor must be laid down, be sure that fuel is completely drained, then lay the outboard motor with port side down on the cushion as shown in the drawing.

ENOM00950-0

**Adding a fuel stabilizer**

When adding a fuel stabilizer additive (commercially available), first fill the fuel tank with fresh fuel. If the fuel tank is only partially filled, air in the tank can cause the fuel to deteriorate during storage.

1. Before adding fuel stabilizer additive, drain the vapor separator (See page 82).
2. Follow the instructions on the label when adding the fuel stabilizer additive.
3. After adding the additive, let the outboard motor run in the water for 10 minutes to make sure any old fuel in the fuel system has been completely replaced by the fuel with additive.
4. Turn the engine OFF

ENON00891-1

**Note**

If your motor is used occasionally, it is recommended to use a high quality fuel stabilizer for the fuel and keep the fuel tank full to reduce condensation and evaporation.

ENOM00970-E

**Fuel system draining**

ENOW00936-0

**WARNING**

For details on handling fuel, contact an authorized dealer.

Fuel and fuel vapors are extremely flammable and can be explosive.

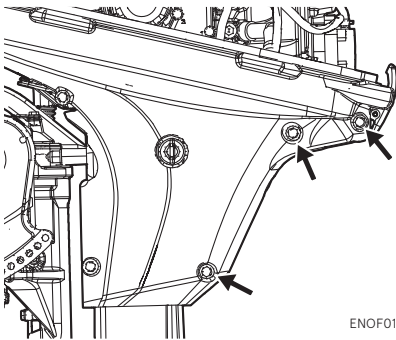
- If fuel is spilled, wipe it up immediately.
- Keep the fuel tank well away from sources of ignition, e.g. sparks or open flames
- Perform all work outdoors or in a well ventilated place.

ENOW00097-0

**WARNING**

Be sure to use cloth to remove fuel remaining in the cowl and dispose of it in accordance with local fire prevention and environment protection regulations.

1. Disconnect the fuel hose from the outboard motor.
2. Remove the top cowl.
3. Loosen the screw (3pcs) of the drive shaft housing cover on the port side.



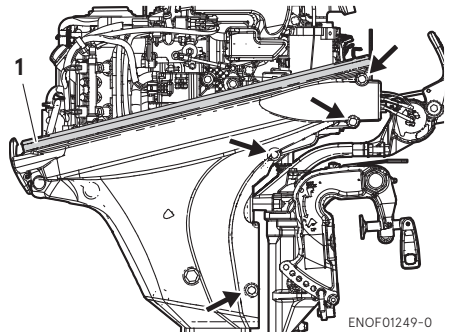
ENOF01248-0

ENON00936-0

**Note**

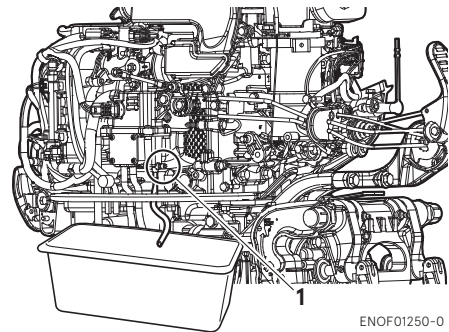
To avoid losing the bolts, the loosened bolts cannot be removed.

4. Remove the cowl seal and loosen the screw (4pcs) of the drive shaft housing cover on the starboard side.



ENOF01249-0

1. Cowl seal
5. Place an approved fuel container under the drain tube end and use a funnel to avoid spilling fuel.
6. Loosen the vapor separator drain screw.
7. When thoroughly drained, retighten the drain screw securely.
8. Check the drained fuel for the presence of water or other contaminants. If either is present, refill the vapor separator with fuel, and then drain the fuel again. Repeat this procedure until no water or other contaminants are present in the drained fuel.



ENOF01250-0

1. Drain screw

ENOM00102-0

**Battery**

ENOW00931-A

 **WARNING**

- **Place the battery away from any source of fire, sparks and open flames such as burners or welding equipment.**
- **Place the battery away from fuel tank. Accidental sparks of battery may cause explosion of gasoline.**

1. Disconnect the battery cables and be sure to remove the negative terminal first.
2. Wipe off any chemical deposits, dirt, or grease.
3. Apply grease to the battery terminals.
4. Charge the battery completely before storing it for the winter.
5. Recharge the battery once a month to prevent it from discharging and the electrolyte from deteriorating.
6. Store the battery in a dry place.

ENOM00104-A

**4. Pre-season check**

The following steps must be taken when first using the engine after off-season storage.

1. Check that the shift and throttle function properly. (Be sure to turn the propeller shaft when checking the shift function or else the shift linkage may be damaged.)
2. Check the electrolyte level, and measure the voltage and specific gravity of the battery.

Specific Gravity at 20°C	Terminal Voltage (V)	Charge Condition
1.120	10.5	Fully discharged
1.160	11.1	1/4 charged
1.210	11.7	1/2 charged
1.250	12	3/4 charged
1.280	13.2	Fully charged

3. Check that the battery is secure and the battery cables are properly installed.
4. Change the engine oil (See page 68).
5. Before starting the engine, disconnect stop switch lock and crank approximately 10 pulling the recoil starter (Manual start model) or 3times of 3sec. turning the starter motor (Electric start model) in order to prime the oil pump.
6. Fill fuel tank completely.
7. Start the engine and warm up the engine for 3 minutes in the "NEUTRAL" position.
8. Run the engine for 5 minutes at the slowest speed.
9. Run the engine for 10 minutes at half throttle. The oil used for storage inside the engine will be circulated out to assure optimum performance.

ENOM00105-A

**5. Submerged outboard motor**

ENOW00098-0

 **CAUTION**

**Do not attempt to start submerged outboard motor immediately after it is recovered, or engine could be severely damaged.**

After taking your outboard motor out of the water, immediately take it to your dealer.

The following are the emergency measures to be taken for a submerged outboard motor.

1. Wash the outboard motor with fresh water to remove salt or dirt.
2. Remove the engine oil drain screw and completely drain water and oil from the engine.
3. Remove the spark plugs, and completely drain the water from the engine by pulling recoil starter several times.

Replace oil filter and oil to the correct level.

The oil and filter may need to be changed again after running a short period to get all moisture completely out of the crankcase.

4. Inject a sufficient amount of engine oil through the spark plug holes. Pull the recoil starter several times to circulate the oil throughout the outboard motor.

ENOM00106-1

## 6. Cold weather precautions

If you moor your boat in cold weather at temperatures below 0°C (32°F), water residue in water pump may freeze and may damage the pump, impeller, etc. To avoid, submerge the lower half of the outboard motor into the water.

ENOM00107-A

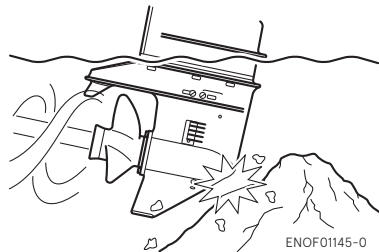
## 7. Striking underwater object

ENOW00935-0

**⚠ CAUTION**

**Striking the sea bottom or an underwater object may severely damage the outboard motor.**

1. Stop the engine immediately.
2. Check the control system, gear case, boat transom etc.
3. Return to the nearest harbor slowly and carefully.
4. Consult a dealer check the outboard motor before operation again.



ENOM00120-2

## 8. Auxiliary outboard motor operation

When the auxiliary outboard motor is not in operation, be sure to remove the stop switch lock, shift into forward, and then tilt the outboard motor up. Otherwise, over-rotation of the propeller due to water spray and water ingestion that could cause damage to the outboard motor.

# TROUBLESHOOTING

ENOM01109-0

If you encounter a problem, check the list below to determine the cause and to take the proper action.

An authorized dealer will always be happy to provide any assistance and information.

\* Low speed ESG operates.

	Engine will not start.	Engine stalls immediately after starting.	Defective idling	Defective acceleration	Engine speed is very high causing high speed ESG to operate.	Engine speed is very low, causing low speed ESG to operate.	Boat cannot run at high speed.	Engine overheats.	Battery is not charged.	Starter motor will not operate.	Power tilt will not operate.	Warning lamp is lit.	Warning lamp blinks.	Possible cause	
Fuel and Lubrication Systems	<input type="radio"/>	<input type="radio"/>												Fuel level is low in the tank.	
	<input type="radio"/>	<input type="radio"/>	<input type="radio"/>	<input type="radio"/>		<input type="radio"/>	<input type="radio"/>	<input type="radio"/>						Fuel system connection is incomplete.	
	<input type="radio"/>	<input type="radio"/>	<input type="radio"/>	<input type="radio"/>		<input type="radio"/>	<input type="radio"/>	<input type="radio"/>						Fuel system sucks air.	
	<input type="radio"/>	<input type="radio"/>	<input type="radio"/>	<input type="radio"/>		<input type="radio"/>	<input type="radio"/>	<input type="radio"/>						Fuel pipe is twisted.	
	<input type="radio"/>	<input type="radio"/>	<input type="radio"/>	<input type="radio"/>		<input type="radio"/>	<input type="radio"/>	<input type="radio"/>						Cap vent is closed.	
	<input type="radio"/>	<input type="radio"/>	<input type="radio"/>	<input type="radio"/>		<input type="radio"/>	<input type="radio"/>	<input type="radio"/>						Fuel filter, fuel pump or injector is clogged.	
	<input type="radio"/>		<input type="radio"/>				<input type="radio"/>	<input type="radio"/>						Low quality gasoline is used.	
	<input type="radio"/>													Primer bulb is clogged.	
	<input type="radio"/>	<input type="radio"/>	<input type="radio"/>	<input type="radio"/>		<input type="radio"/>	<input type="radio"/>	<input type="radio"/>							Fuel feed pump (FFP) malfunctions or is clogged.
						<input type="radio"/>	<input type="radio"/>	<input type="radio"/>					<input type="radio"/>	<input type="radio"/>	Water temperature sensor or MAP (Manifold Pressure) sensor is defective or the sensor circuit is disconnected.
			<input type="radio"/>	<input type="radio"/>		<input type="radio"/>	<input type="radio"/>	<input type="radio"/>							Low quality engine oil is used.
			<input type="radio"/>	<input type="radio"/>		<input type="radio"/>	<input type="radio"/>	<input type="radio"/>							Engine oil quantity excessive (Exhaust smoke is generated.)
						<input type="radio"/>	<input type="radio"/>	<input type="radio"/>					<input type="radio"/>	<input type="radio"/>	Engine oil is lacking (Oil pressure switch operates).
						<input type="radio"/>	<input type="radio"/>	<input type="radio"/>					<input type="radio"/>	<input type="radio"/>	Oil filter is clogged (Oil pressure switch operates).
					<input type="radio"/>	<input type="radio"/>	<input type="radio"/>					<input type="radio"/>	<input type="radio"/>	Oil pump is defective (Oil pressure switch operates).	
Electrical System	<input type="radio"/>	<input type="radio"/>	<input type="radio"/>	<input type="radio"/>		<input type="radio"/>	<input type="radio"/>							Use of spark plugs not specified.	
	<input type="radio"/>	<input type="radio"/>	<input type="radio"/>	<input type="radio"/>		<input type="radio"/>	<input type="radio"/>							Spark plug is contaminated.	
	<input type="radio"/>	<input type="radio"/>	<input type="radio"/>	<input type="radio"/>		<input type="radio"/>	<input type="radio"/>							No sparks or weak spark.	
	<input type="radio"/>													Stop switch short-circuited.	
	<input type="radio"/>													Stop switch lock is not put.	
	<input type="radio"/>								<input type="radio"/>	<input type="radio"/>	<input type="radio"/>			Defective wiring, ground, wire disconnected or loosened.	
	<input type="radio"/>								<input type="radio"/>	<input type="radio"/>	<input type="radio"/>			Battery charging is defective, or rectifier malfunctions.	
	<input type="radio"/>	Cell (O)							<input type="radio"/>	<input type="radio"/>	<input type="radio"/>				Battery is dead, connection is loose or corroded. Battery electrolyte level is low.
	<input type="radio"/>								<input type="radio"/>	<input type="radio"/>	<input type="radio"/>				20A fuse is blown.
	<input type="radio"/>									<input type="radio"/>					Shift lever neutral (N) position is not proper.
	<input type="radio"/>									<input type="radio"/>	<input type="radio"/>				Start switch or main switch is defective.
	<input type="radio"/>									<input type="radio"/>					Starter motor or starter solenoid operation is defective.
											<input type="radio"/>				PT switch or solenoid is defective.
										<input type="radio"/>				Air is mixed in PT fluid.	

		Engine will not start.	Engine stalls immediately after starting.	Defective idling	Defective acceleration	Engine speed is very high causing high speed ESG to operate.	Engine speed is very low, causing low speed ESG to operate.	Boat cannot run at high speed.	Engine overheats.	Battery is not charged.	Starter motor will not operate.	Power tilt will not operate.	Warning lamp is lit.	Warning lamp blinks.	Possible cause
Others	Compression System														
		<input type="radio"/>	<input type="radio"/>	<input type="radio"/>	<input type="radio"/>			<input type="radio"/>							Valve timing is not correct (Belt is stretched or installed incorrectly).
		<input type="radio"/>	<input type="radio"/>	<input type="radio"/>	<input type="radio"/>			<input type="radio"/>							Valve clearance is defective.
		<input type="radio"/>	<input type="radio"/>	<input type="radio"/>	<input type="radio"/>			<input type="radio"/>							Valve seat sealing is defective.
			<input type="radio"/>	<input type="radio"/>				<input type="radio"/>							Piston, piston ring and/or cylinder is worn excessively.
			<input type="radio"/>	<input type="radio"/>				<input type="radio"/>	<input type="radio"/>						Combustion chamber carbon deposition is too much.
				<input type="radio"/>	<input type="radio"/>			<input type="radio"/>	<input type="radio"/>						Spark plug is loose.
						<input type="radio"/> *		<input type="radio"/>	<input type="radio"/>				<input type="radio"/> *		(Cooling water is lacking.) Pump is defective or clogged.
						<input type="radio"/> *		<input type="radio"/>	<input type="radio"/>				<input type="radio"/> *		Thermostat operation is defective.
					<input type="radio"/>	<input type="radio"/>		<input type="radio"/>	<input type="radio"/>				<input type="radio"/>		Anti-cavitation plate is damaged.
				<input type="radio"/>	<input type="radio"/>	<input type="radio"/>		<input type="radio"/>	<input type="radio"/>				<input type="radio"/>		Use of mismatched propeller.
				<input type="radio"/>	<input type="radio"/>	<input type="radio"/>		<input type="radio"/>	<input type="radio"/>				<input type="radio"/>		Propeller is damaged or deformed.
				<input type="radio"/>	<input type="radio"/>	<input type="radio"/>		<input type="radio"/>	<input type="radio"/>				<input type="radio"/>		Thrust rod position is not correct.
				<input type="radio"/>	<input type="radio"/>	<input type="radio"/>		<input type="radio"/>	<input type="radio"/>				<input type="radio"/>		Boat is unbalanced by load position.
				<input type="radio"/>	<input type="radio"/>	<input type="radio"/>		<input type="radio"/>	<input type="radio"/>				<input type="radio"/>		Transom installation height is too high or too low.
				<input type="radio"/>	<input type="radio"/>	<input type="radio"/>		<input type="radio"/>	<input type="radio"/>				<input type="radio"/>		Throttle link adjustment is defective.

# TOOL KIT AND SPARE PARTS

ENOM00327-0

The followings are a list of the tools and spare parts provided with the motor.

Items		Quantity	Remark	
Service tools	Tool bag	1		
	Pliers	1		
	Socket wrench	1	10 × 13 mm	
	Socket wrench	1	16 mm	
	Socket wrench handle	1		
	Screwdrivers	1	Double head (Cross/Flat)	
	Screwdriver handle	1		
Spare parts	Emergency starter rope	1		
	Split pin	1		
	Stop switch lock	1		
Parts Packaged with Engine	Remote control box	1 set	for EP and EPT	
	Remote control attachment	1 set	for EP and EPT	
	Drag link	1	for EP and EPT	
	Bolt	4	M8 × 85 mm	
	Nylon locking nut	4	8 mm	EPT only
	Washer	8	8 mm	
	Bolt	2	M8 × 85 mm	EP/EFT
	Nylon locking nut	2	8 mm	EP/EFT
Washer	4	8 mm	EP/EFT	



## PROPELLER TABLE

ENOM00329-0

- Propeller selection is important to optimize outboard motor performance. The type and size of propellers have a direct impact on acceleration, cruising performance such as fuel efficiency, and engine life.
- A propeller must be selected so that the engine RPM measured at wide open throttle while cruising is within the recommended range.
- In general, a large pitch propeller is suitable for smaller operating load, and small pitch propeller is suitable for larger operating load. If the boat load varies significantly, select a propeller that operates within the proper range for the maximum load. However, please note that it is necessary to have rpm setting within the recommended engine speed range for the lighter boat load.
- Consult your dealer for selecting optional propeller.

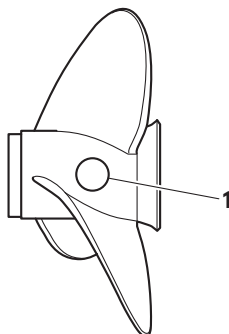
Load	Propeller Mark	Number of Blades	Propeller Size (Diameter × Pitch)		Standard Propeller		
			inch	mm	MFS 9.9E	MFS 15E	MFS 20E
Light   Heavy	9.25 × 13	3	9.25 × 13	235 × 292			
	9.25 × 12	3	9.25 × 12	235 × 254			
	9.25 × 11	3	9.25 × 11.5	235 × 292			S
	9.25 × 10	3	9.25 × 10	235 × 254		S	L
	9.25 × 9	3	9.25 × 9	235 × 229	S	L	
	9.25 × 8	3	9.25 × 8	235 × 203	L		
	9.25 × 7	3	9.2 × 6.9	234 × 174			
	9.25 × 7	4	9.2 × 6.1	234 × 155			
	10 × 7	4	10 × 7	254 × 178			

\*Related to equipped propeller

In certain models, the standard propeller is already equipped on your outboard motor. Except for propeller came with outboard motor, propellers listed above are optional. Please consult your dealer to select the best propeller for your boat if the standard propeller does not match.

Full Throttle Operating Range  
MFS 9.9-20E: 5400 - 6100 min<sup>-1</sup> (rpm)

Propeller Mark Location  
1: ALL



# EMISSION CONTROL SYSTEM INFORMATION

ENOM01000-0

## Emission Sources

Carbon monoxide, oxides of nitrogen and hydrocarbons are produced in the course of the combustion process. Controlling production of oxides of nitrogen and hydrocarbons is very important because they react to form a photochemical smog under certain conditions when subjected to sunlight. Carbon monoxide does not react in the same way, but is a toxic byproduct.

ENOM01001-0

## Ignition Timing Control System

To reduce the amount of HC, CO and NO<sub>x</sub> produced, the ignition timing control system continuously adjusts the ignition timing.

ENOM01002-1

## Fuel Injection system

The Fuel Injection system relies on, multiport fuel injection for both engine control and fuel control. The Engine Control Unit (ECU) has several sensors to determine how much fuel is needed for injection under all operating conditions.

ENOM01003-0

## Clean Air Acts of the United States and California, and Environment Canada

EPA, California, and Canadian regulations require all manufacturers to provide written instructions that describe the operation and maintenance of commercial emission control systems.

The following instructions and procedures must be followed in order to keep the emissions from your engine within these emission standards.

ENOM01004-0

## Tampering and Modifications

Tampering is a violation of the Federal Laws of the United States and California.

Tampering with or altering the emission control system could cause emissions to increase beyond legal limits. The following acts, although not all inclusive, are considered as tampering:

- Removing or modifying any part of the intake, fuel or exhaust system.
- Modifications that cause the engine to operate outside its design parameters.

ENOM01005-0

**Problems that can affect emission**

If you notice any of the following symptoms, have your outboard motor inspected and repaired by an authorized Tohatsu service dealer before further use.

- Hard starting or stalling immediately after starting
- Rough idling
- Misfiring/backfiring under load
- Afterburning (backfiring)
- Black exhaust smoke or increased fuel consumption

ENOM01006-0

**Replacement Parts**

The emission control system in your Tohatsu outboard motor has been designed, built, and certified to conform with the EPA and California emission regulations. Whenever requesting maintenance, use of Tohatsu Genuine parts is highly recommended. Tohatsu Genuine parts constitute replacement parts manufactured to the same high standards as the original parts, thus guaranteeing uninterrupted high performance of your outboard motor. The use of replacement parts other than Tohatsu Genuine parts could jeopardize the effectiveness of the emission control system.

Tohatsu, as a manufacturer of aftermarket parts, assumes the responsibility that replacement parts will not adversely affect emission performance. The manufacturer or rebuilder of the replacements

parts must certify that use of the parts will not result in a failure of the engine to comply with these regulations.

ENOM00033-0

---

**Low permeation fuel hose requirement**

---

**EQUIPPED FOR UNITED STATES AND CANADA MODEL**

Required for outboards manufactured for sale, sold, or offered for sale in the United States.

- TOHATSU engine has used fuel hoses for The Environmental Protection Agency (EPA) requires from January 1, 2011.

ENOM00034-B

## EPA pressurized portable fuel tank requirements

### FOR UNITED STATES AND CANADA MODEL

The Environmental Protection Agency (EPA) required portable fuel tank that use with outboard engines produced after January 1, 2011 for to remain fully sealed (pressurized) up to 34.4 kPa (5.0 psi). These tanks may contain the following:

- An air inlet that opens to allow air to enter as the fuel is can be supplied to the engine.
- An air outlet that opens (vents) to the atmosphere if pressure exceeds 34.4 kPa (5.0 psi). A hissing noise may be heard as the tank vents to the atmosphere. This is normal.
- When installing the fuel tank cap, turn the cap to the right until you hear two clicks. This signals that the fuel cap is fully seated. A built-in device prevents overtightening.
- The fuel tank has a manual vent screw which should be closed for transportation and full open for operation and cap removal.

Since sealed fuel tanks are not openly vented, they will expand and contract as the fuel expands and contracts during heating and cooling cycles of the outside temperature. This is normal.

ENOM00036-0

## EPA approval Primer bulb/hose assembly

### EQUIPPED FOR UNITED STATES AND CANADA MODEL

TOHATSU adopts Primer bulb/hose assembly approved by the Environment Protection Agency (EPA).

Please use the EPA approved primer bulb/hose assembly with the identification mark on the fuel connector.

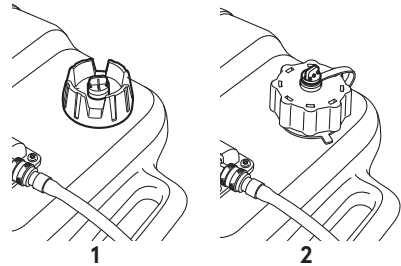


ENOF00111-0

ENOW00021-0

### ⚠ CAUTION

**Be sure to use EPA approved tank and EPA approved primer bulb/hose assembly as a set. Confirm shapes of EPA approved tank and regular tank.**



ENOF00024-1

1. Except for U.S. model (regular tank)
2. For U.S. and Canada model (EPA approved tank)

ENOM01007-0

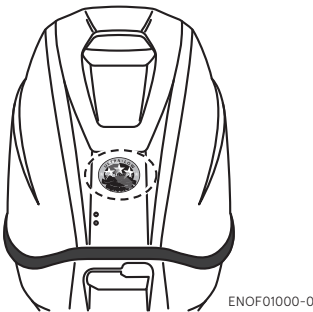
**Maintenance**

Follow the maintenance schedule presented on page 66. Keep in mind that this schedule is based on the assumption that the outboard motor will only be used for its intended purpose. Operation under sustained high loads or other unusual conditions will require more frequent service.

ENOM01008-0

**Star label**

Outboard motor is labeled with the California Air Resources Board (CARB) star label. A description of this label is presented below.



ENOF01000-0



ENOF01001-0

ENOM01009-0

**One Star-Low Emission**

One Star- Low emission The one-star

label identifies engines that meet the Air Resources Board's Personal Watercraft and Outboard marine engine 2001 exhaust emission standards.

Engines meeting these standards have 75% lower emissions than conventional carbureted two-stroke engines.

These engines are equivalent to the U.S. EPA's 2006 standards for marine engines.



ENOF01002-0

ENOM01010-0

**Two Stars-Very Low Emission**

The two-star label identifies engines that meet the Air Resources Board's Personal Watercraft and Outboard marine engine 2004 exhaust emission standards.

Engines meeting these standards have 20% lower emissions than One Star-Low Emission engines.



ENOF01003-0

ENOM01011-0

**Three Stars-Ultra Low Emission**

The three-star label identifies engines that meet the Air Resources Board's Personal

Watercraft and Outboard marine engine 2008 exhaust emission standards or the

Sterndrive and Inboard marine engine 2003–2008 exhaust emission standards. Engines meeting these standards have 65% lower emissions than One Star-Low Emission engines.



ENOM01012-0

#### **Four Stars-Super Ultra Low Emission**

The four-star label identifies engines that meet the Air Resources Board's Stern-drive and Inboard marine engine 2009 exhaust emission standards.

Personal Watercraft and Outboard marine engines may also comply with these standards.

Engines meeting these standards have 90% lower emissions than One Star-Low Emission engines.

# OWNER'S MANUAL

MFS 9.9E  
MFS 15E  
MFS 20E

**TOHATSU CORPORATION**

5-4, Azusawa 3-Chome, Itabashi-Ku  
Tokyo 174-0051, Japan  
Tel: +81-3-3966-3117 Fax: +81-3-3966-2951  
[www.tohatsu.com](http://www.tohatsu.com)

