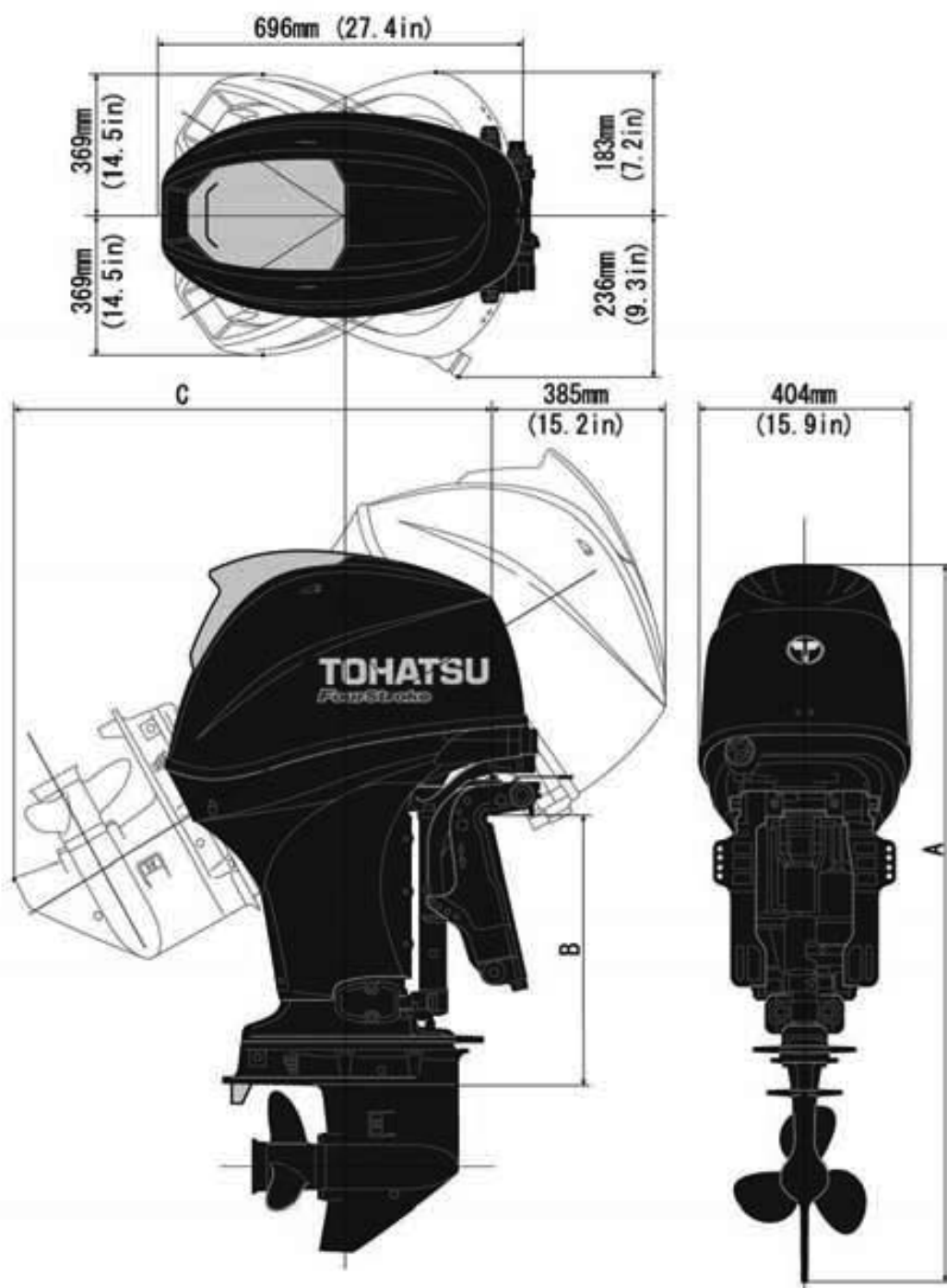


Dimensions



Dry Weight

(kg/lbs)

Model	EPT	EHT	EPG	EHG
Transom S:	95.0 (209)	100.0 (22)	92.5 (204)	97.5 (215)
Transom L:	97.0 (213)	102.0 (224)	94.5 (208)	99.5 (219)
Transom UL:	100.0 (220)	105.0 (213)	97.5 (215)	102.5 (226)

Dimensions

(mm/in)

Model	A	B	C
Transom S:	1257 (49.6)	405 (16.0)	811 (32.0)
Transom L:	1390 (54.8)	538 (21.2)	930 (36.7)
Transom UL:	1504 (59.3)	652 (25.7)	1031 (40.7)