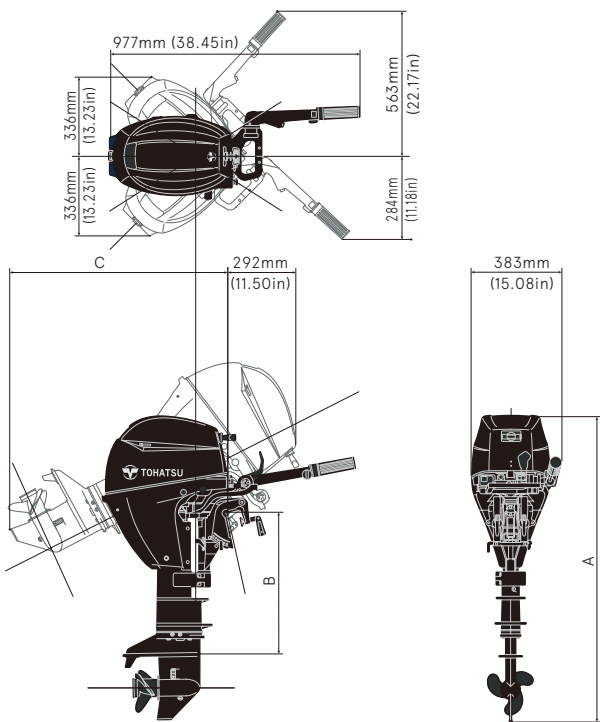


FOUR STROKE MFS9.8C



Dry Weight				(kg/lbs)
Model	MF	EF	EP	
Transom S:	38.5 (85)	-	41.0 (90)	
Transom L:	39.5 (87)	42.0 (93)	-	
Dimensions				(mm/in)
Model	A	B	C	
Transom S:	1061(41.75)	433 (17.05)	703(27.68)	
Transom L:	1188 (46.77)	560 (22.05)	835 (32.87)	